

exclusivo



Low thermal inertia



Low water content



Versatility



Easy to stock and install



16
bar

Working pressure



3 international patents



Mod. 350/700/800



Mod. 500



Mod. 600



STANDARD SUPPLY

Model 800: from 3 to 10 sections

Model 700: from 3 to 12 sections

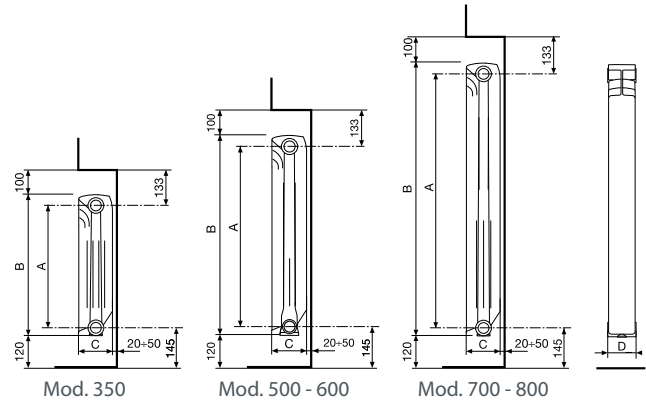
Model 600/500/350: from 3 to 14 sections

COLOURS

RAL 9010 White

All models **Exclusivo** are guaranteed **10 years** from installation date on manufacturing faults, provided that the installation has been performed in compliance with the current norms and respecting the instructions relating to the installation, the correct use and the correct maintenance as illustrated on this catalogue.

Model	Heat output				
	ΔT 30	ΔT 40	ΔT 50	ΔT 60	ΔT 70
	W/sect.	W/sect.	W/sect.	W/sect.	W/sect.
350/100	47,3	68,6	91,5	115,8	141,3
500/100	59,5	86,0	114,5	144,6	176,2
600/100	68,9	100,0	133,5	169,1	206,4
700/100	77,1	112,0	149,5	189,4	231,3
800/100	85,2	124,0	166,0	210,7	257,7



MEASURES EXPRESSED IN MILLIMETRES

Model	Code	Depth	Height	Centre distance	Length	Connection diameters	Water capacity	Exponent	Coefficient
		(C) mm	(B) mm	(A) mm	(D) mm	inches	litres/sect.	n	Km
350/100	V680014	97	407	350	80	G1	0,21	1,2910	0,5865
500/100	V710034	97	556	500	80	G1	0,26	1,2823	0,7588
600/100	V710044	97	657	600	80	G1	0,29	1,2953	0,8410
700/100	V666054	97	757	700	80	G1	0,39	1,2970	0,9358
800/100	V666064	97	857	800	80	G1	0,43	1,3070	0,9992

Maximum working pressure: 1600 kpa (16 bar)

 Characteristic equation of the model $\Phi = Km \Delta T^n$

The thermal efficiency values shown comply with the European Standard EN 442-1:2014 and are certified by the MRT Lab of the Milan Polytechnic, notified body N°1695.

Item	Description	Code
	A 80 The radiator fixing kit includes: 2 Rh G 1/2" adapters; 2 Lh G 1/2" adapters, galvanized and painted; 4 sealing gaskets; 1 G 1/2" manual bleed valve with seal; 1 G 1/2" blind plug with seal	550103
	A 81 The radiator fixing kit includes: 2 Rh G 1/2" adapters; 2 Lh G 1/2" adapters, galvanized and painted; 4 sealing gaskets; 1 G 1/2" manual bleed valve with seal; 1 G 1/2" blind plug with seal; 3 brackets	550104
	A 2/1 RH/LH G 1" Nipple	510011
	A 10/1 1" Seals for nipples (without asbestos)	530105
	A 11/1 1" Seals for plugs (without asbestos)	530108
	A 20 Kit with two adjustable coated brackets	550037

