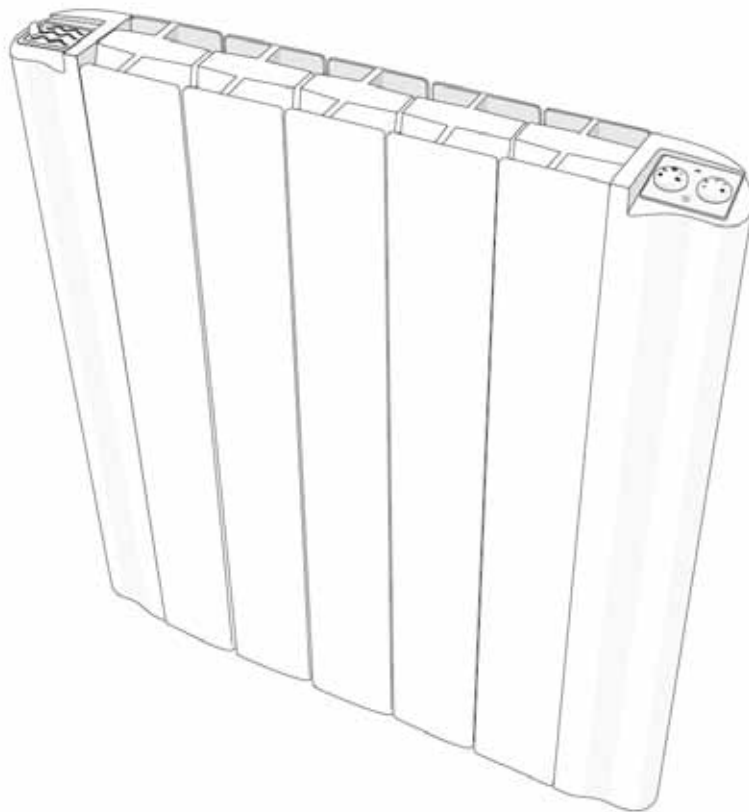


INSTALLATION AND MAINTENANCE MANUAL

Alcor FA



Aluminium electric
radiators with heat
transfer fluid

CE

EN

fondital

Dear customer,



Thank you for choosing our product. Read this manual carefully before installing your radiator, as it provides useful information for installation, use and proper maintenance of the appliance.

Remember that this manual must accompany the radiator should it be moved to a different installation location.

THE PACKAGE INCLUDES:

Aluminium radiator fitted with a thermostat with electronic regulation, kit made up of three mounting brackets with wall plugs and instruction manual.

CONTENTS

1. CHARACTERISTICS	Page 3
2. DESCRIPTION AND TECHNICAL SPECIFICATIONS OF THE PRODUCT	Page 3
3. WARNINGS	Page 4
4. INSTALLATION	Page 4
5. ELECTRICAL CONNECTIONS	Page 7
6. REGULATION AND PROGRAMMING	Page 8
7. CLEANING THE RADIATOR	Page 9
8. TROUBLESHOOTING	Page 10
9. ENVIRONMENT	Page 10
10. WARRANTY	Page 10
11. DECLARATION OF CONFORMITY	Page 11

1. CHARACTERISTICS

1.1. Characteristics of the appliance

IP24: appliance protected against splashing water

Class I

1.2. Technical characteristics of the electronic part

Power supply	230 V +/-10% CA 50 Hz	
Electrical resistor capacity	Mod. FA5103	350 W
	Mod. FA5106	600 W
	Mod. FA5108	800 W
	Mod. FA5110	1000 W
	Mod. FA5112	1200 W
	Mod. FA5115	1500 W
	Mod. FA5118	1800 W
Insulation class	Class I	
Water protection rating	IP24	
Operating temperature	0 ÷ 40°C	
Storage temperature	-20 ÷ 80°C	
Relative humidity	RH 0 ÷ 85% without condensate	
Regulation type	Proportional integral	
Temperature range	7° ; 15 ÷ 30°C	
Temperature reading resolution	1/16°C	
Maximum range	0.5°C	
Maximum deviation	1.5 °C	

2. DESCRIPTION AND TECHNICAL SPECIFICATIONS OF THE PRODUCT

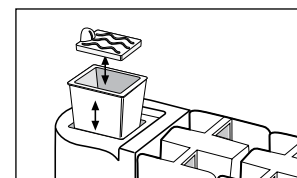
The radiator has a die-cast EN AB 46100 aluminium alloy body containing a fluid to transmit heat internally. This fluid is made up of highly refined mineral oil with a high heat transmission coefficient, characterized by high oxygenation resistance for durability and low viscosity.

The internal fluid is heated by means of an electrical resistor with class I insulation, which has a control thermostat and safety thermal fuse.

The control and regulation electronics make it possible to regulate the ambient temperature with great precision.

On the left-hand side there is a receptacle for distilled water used to humidify the environment.

NB: All Fondital radiators are manufactured with an identifying label which guarantees their traceability. This label certifies that the appliance complies with European directives and electrical standards.



The appliance must be installed according to accepted practice, in accordance with current standards and the instructions contained in this manual.

Radiator colour: RAL 9010.

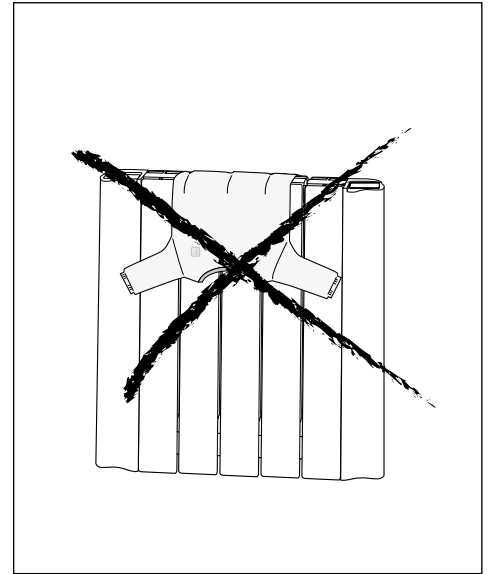
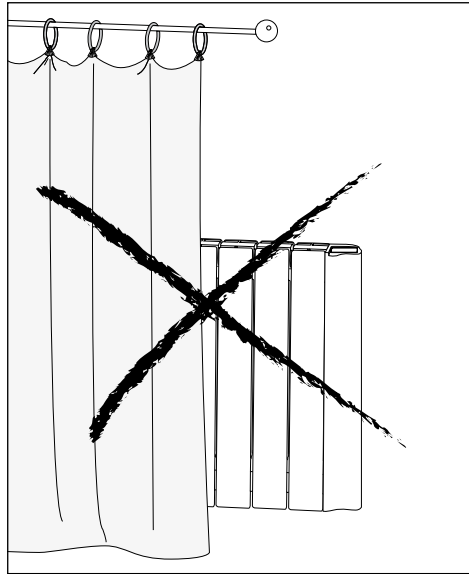
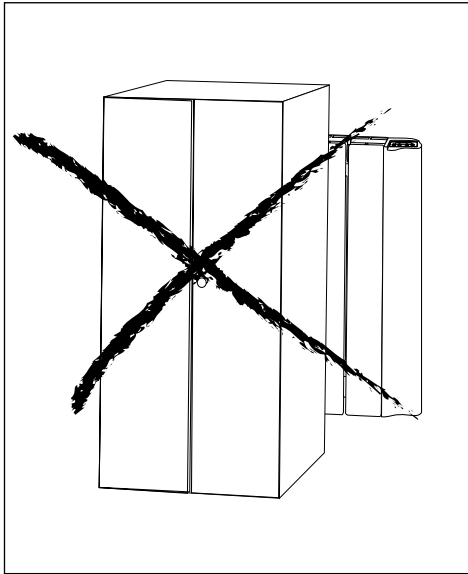
3. WARNINGS



A label on the side of the radiator contains the symbol shown here. The meaning of this symbol is:
In order to avoid overheating the appliance, **DO NOT COVER THE RADIATOR** with clothing, pieces of cloth or other objects.

The radiator must never be:

- partially or totally covered
- in direct contact with or a short distance from curtains, furniture, etc.



The radiator must never be installed:

- in an alcove
- less than 10 cm. from the corners of the room
- beneath a power point
- on a shelf

The radiator must be mounted on the wall using the standard mounting brackets included.

This appliance is not intended for use by persons (including children) with reduced physical, sensory or mental capabilities, or lack of experience and knowledge, unless they have been given supervision or instruction concerning use of the appliance by a person responsible for their safety.

Children should be supervised to ensure that they do not play with the appliance.

All work required on the appliance must be performed by a qualified professional.

Repairs which require opening the liquid reservoir must be made by the manufacturer, its representatives or customer service.

4. INSTALLATION

To obtain the best results from your appliance in terms of thermal output and comfort, whenever possible we recommend installing the radiator under a window or near areas of the space to be heated with high thermal dispersion.

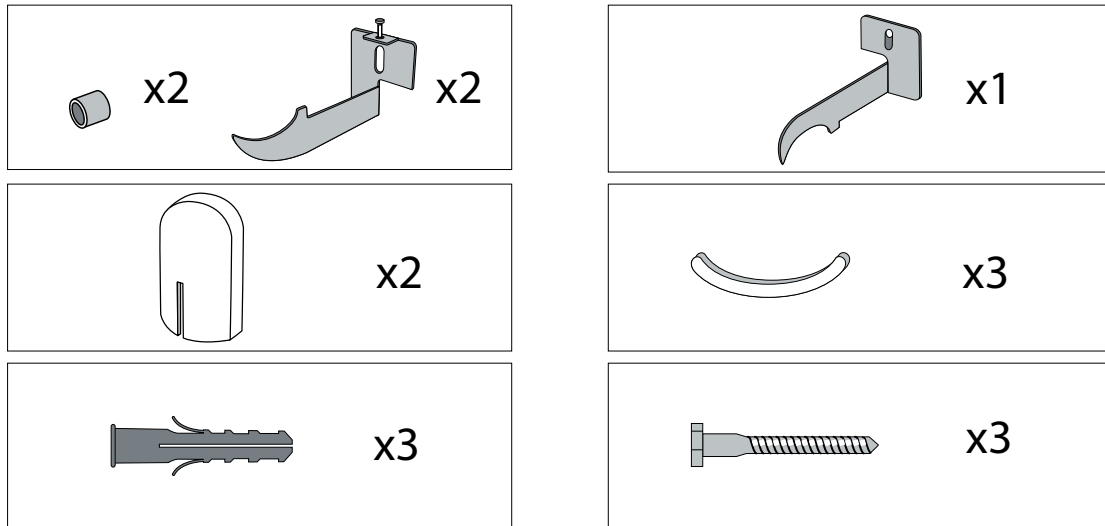
The radiator must not be installed in an alcove or beneath a power point.

Curtains, furniture and objects which may obstruct proper heat distribution must be placed a minimum of 50 cm. from the front of the radiator.

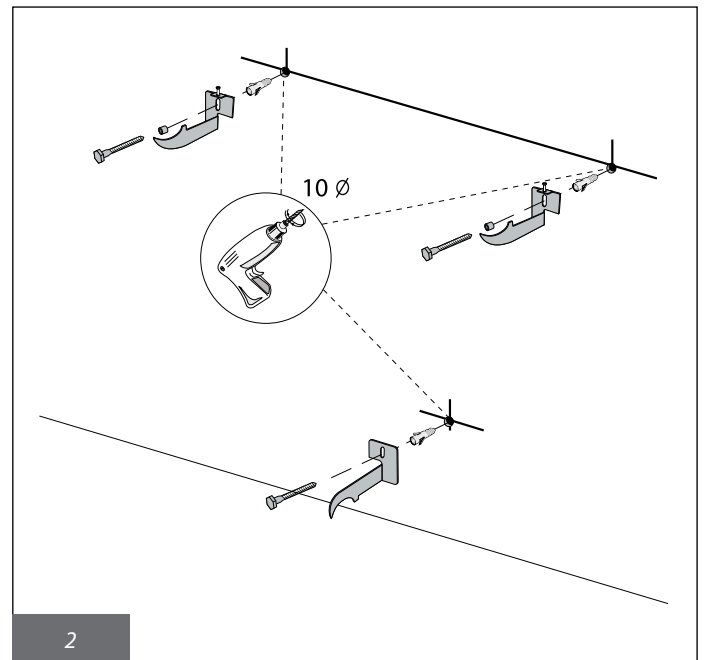
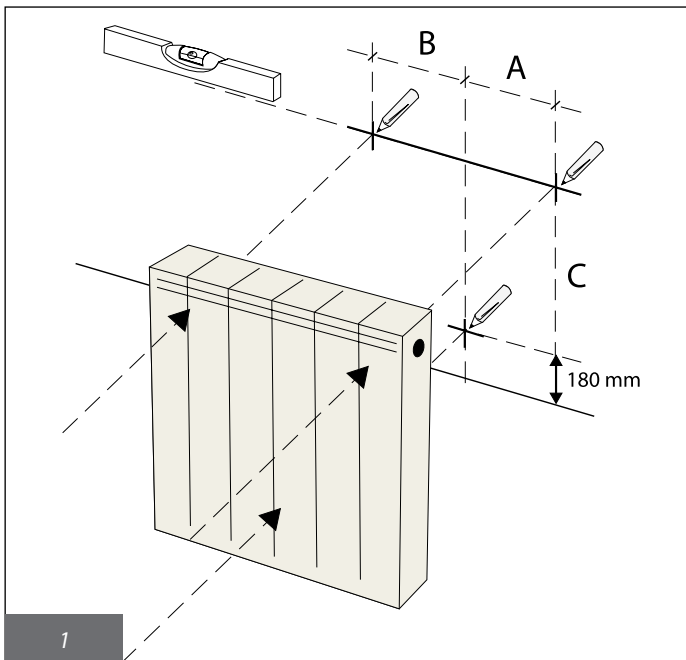
Maintain a minimum space of 120 mm between the lower part of the radiator and the ground.

4.1. Mounting the radiator to the wall

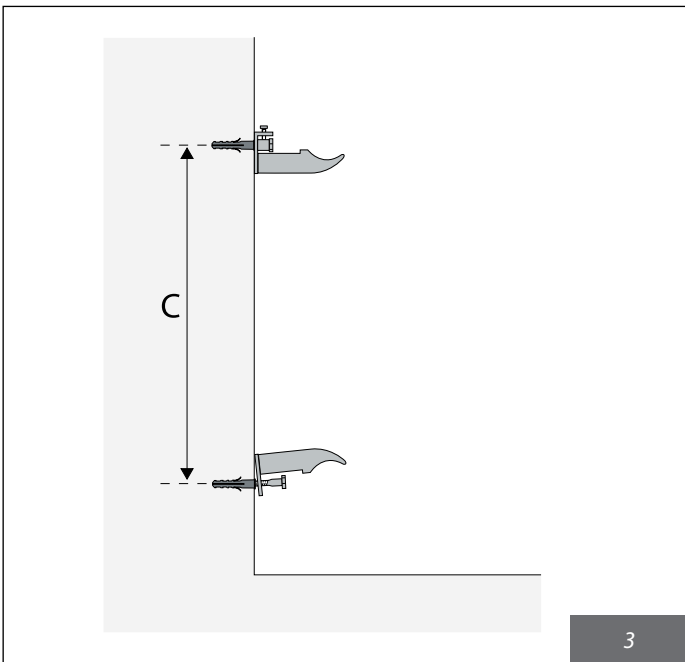
The radiator can be mounted on the wall using the mounting brackets included with the appliance. The mounting system consists of:



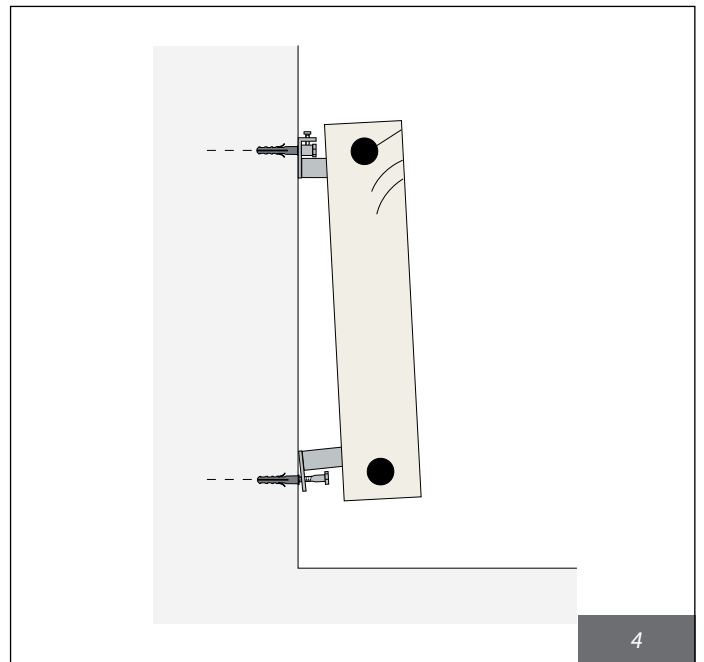
When mounting, follow the steps illustrated below:



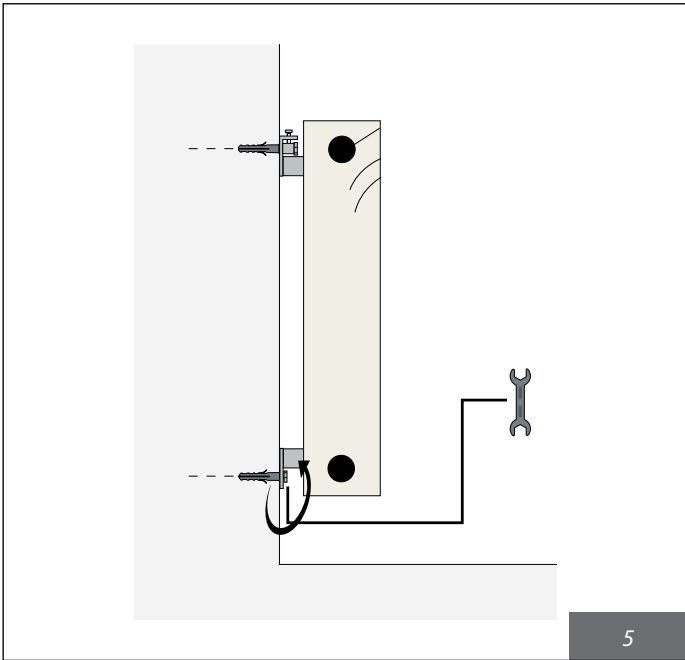
	Number of sections						
	3/350W	5/600W	6/800W	7/1000W	9/1200W	11/1500W	12/1800W
Dimension A	80	160	160	240	320	400	400
Dimension B	80	80	160	160	240	320	400
Dimension C	500	500	500	500	500	500	500



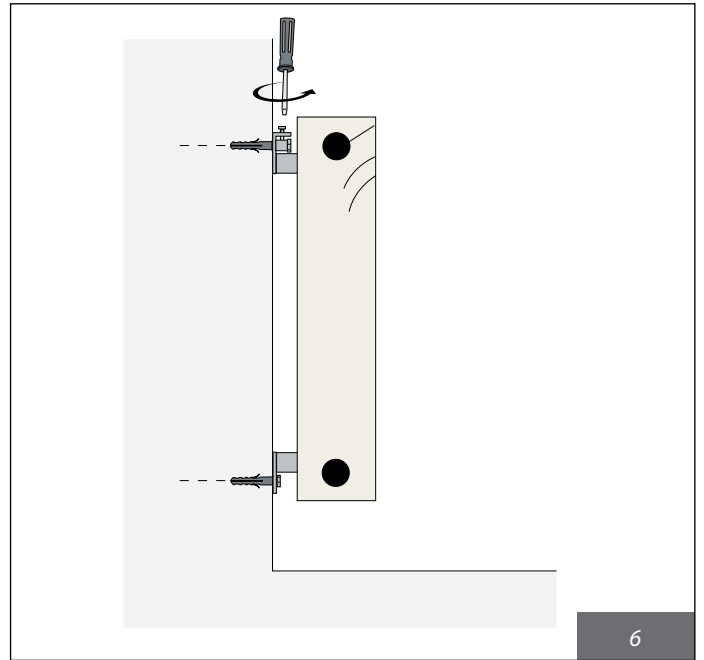
3



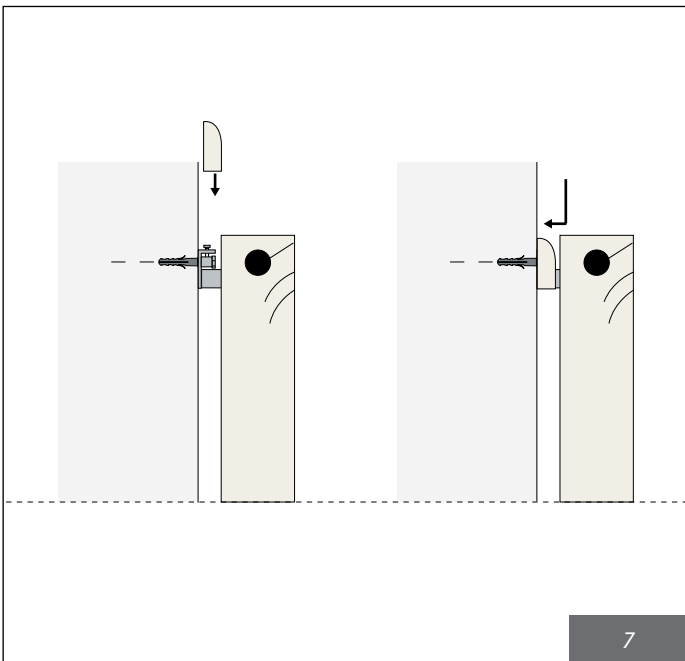
4




5



6



7

 **The step shown in illustration 6 can only be considered finished when the lower screw has been completely tightened and the radiator is firmly fixed to the wall, with no possible movement.**

The minimum distance between the radiator and the floor must be 120 mm in all cases.

5. ELECTRICAL CONNECTIONS

IMPORTANT
During installation, maintenance and cleaning, the appliance must be disconnected from the power supply.

The Vantage Electric Radiator must be connected only to a 230/240v AC power supply.

A multi-pole circuit breaker must be installed. The distance between the contacts must be at least 3 mm. The appliance's power circuit must be protected by a high sensitivity differential protection device.

The radiator is supplied with a 3-pin plug and allows phase, neutral and ground connections.

The electrical equipment must be provided with grounding.

Never insert metal objects into or attempt to pierce the side of the radiator containing the regulation system (right side). If the power cord is damaged, it must be replaced by a qualified electrician only.

5.1. Details of bathroom installation

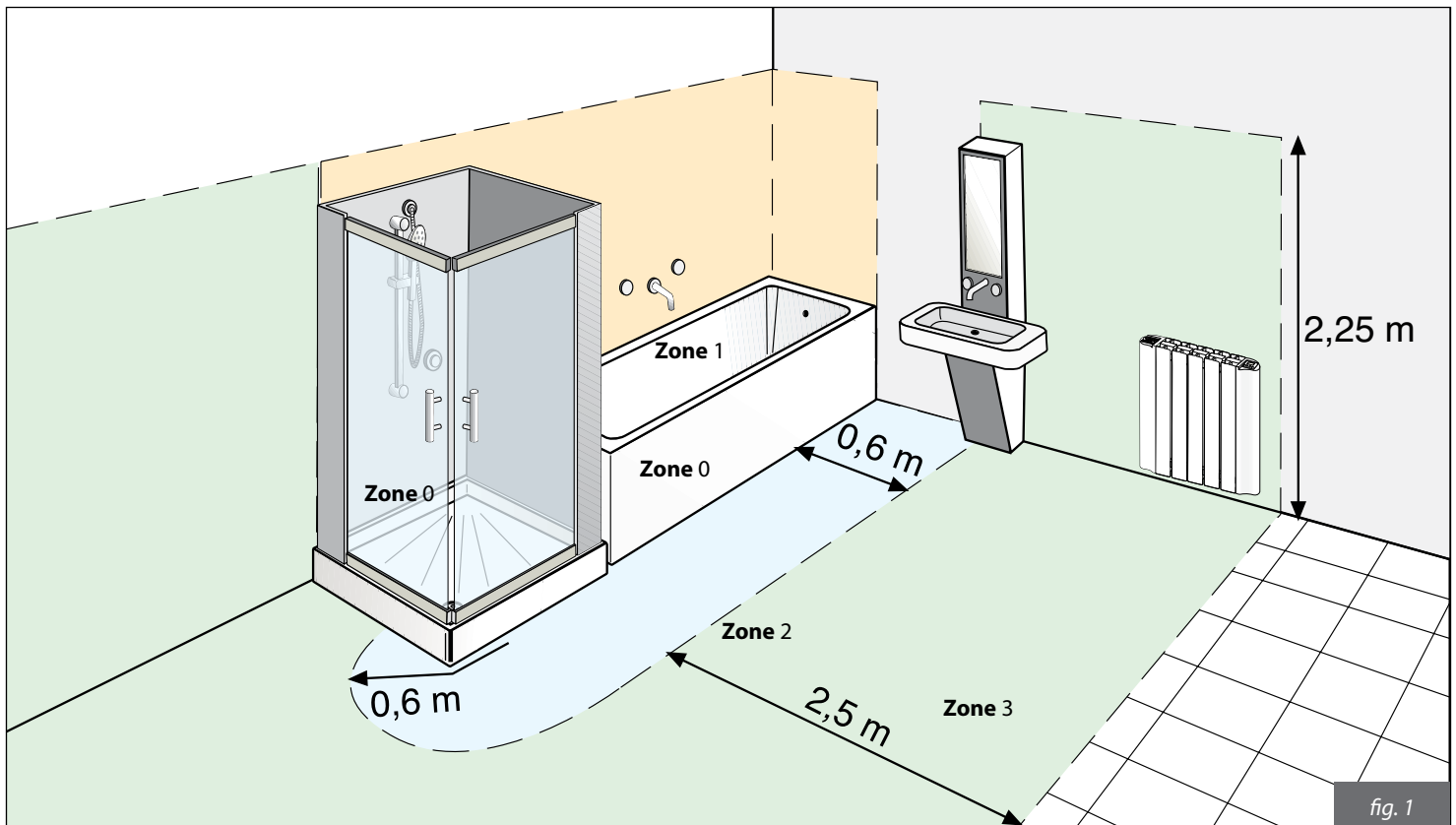
The appliance must be installed according to current regulations and laws in force in the country of use.

The radiator is class I and has IP24 electrical protection. In bathrooms, it can be installed in areas 2 and 3 (see figure 1) provided that the control device is not within reach of people using the shower or bathtub.

The radiator must not be connected to the earth lead.

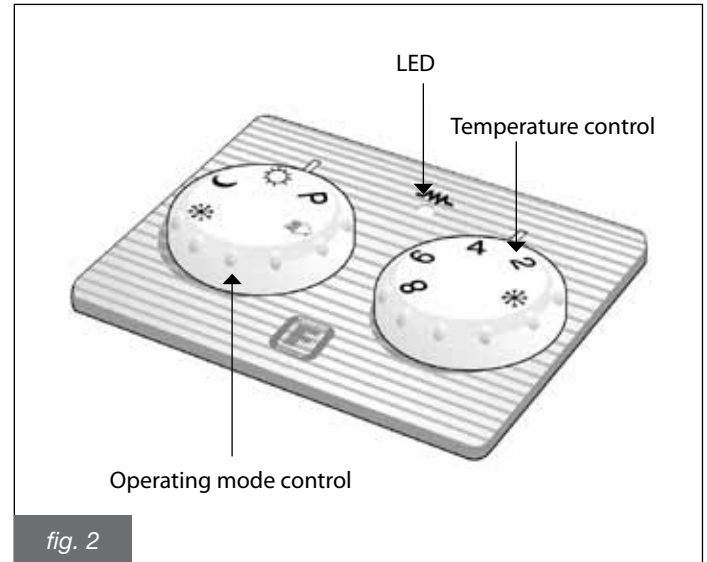
! In the bathroom, protect the power line with a 30 mA high sensitivity differential device.

Install a multi-pole circuit breaker. The distance between the contacts must be at least 3 mm.



6. ADJUSTMENT AND PROGRAMMING

The control panel has two controls: the one on the left to select operating mode and the one on the right to program room temperature.



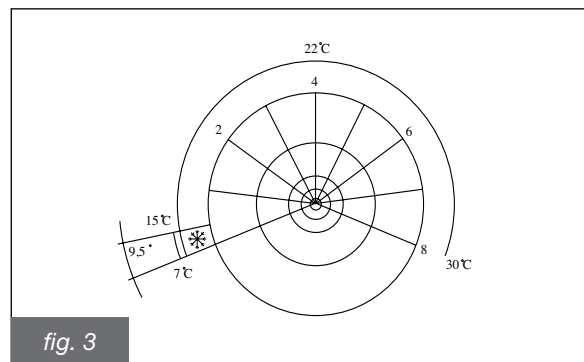
There is also a LED light which turns green when room temperature reaches the value set by the user, and red when room temperature is below set value with fed heating element.

There are five operating modes: Comfort, Night reduction, Antifreeze, Stand-by, Pilot wire.

Comfort mode ☀

This function allows for room temperature adjustment.

It is the radiator's normal use to keep room temperature at set value. Set temperature depends on temperature control position. Indicatively, the correspondence between set temperature and the numbers indicated in the control is as follows:



With rotation angle of 0° to 9.5°, set temperature is of about 7 °C.

Antifreeze mode : ❄

By selecting this mode the set room temperature is of 7 °C.

Night Reduction mode : 🌙

If the mode control is in this position, set temperature will be 3.5 °C less than the one programmed on temperature control at that time.

Pause position : P

When mode control is in this position, all functions are disabled and the radiator does not warm up the room.

The LED remains off.

Warning: in this position, the radiator is still being electrically powered.


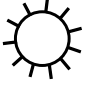



Pilot wire mode 🏠

This mode allows for radiator management using a remote control unit.

Temperature setting depends on pilot cable controls and on temperature potentiometer position.

This mode can only be used on radiators installed in **France**.

Summary of operating modes:

Mode	Description
	Stand-by: The receiver is in stand-by
	Comfort: Comfort status and the temperature which the environment must be kept at are transmitted
	Night-time Night-time status and the temperature which the environment must be kept at are transmitted
	Anti-freeze: Minimum safety temperature: a fixed value equivalent to 7°C is transmitted
	Pilot wire: The temperature depends on the Pilot Wire control (for radiators installed in France only)

7. CLEANING THE RADIATOR

For safety reasons, disconnect the power supply before cleaning the appliance.

Cleaning must be done when the radiator is turned off and is cold.

Do not use abrasive or corrosive products to clean the body: use soapy water, for example, and dry the external casing with a soft cloth.

Clean plastic parts, controls and the humidifier with a dry cloth only and avoid contact with chemicals or alcohol.

8. TROUBLESHOOTING

If the appliance stops working, do not use it: disconnect from the power supply and contact only a qualified technician who is authorized to work on this type of product.

This appliance has been filled with an exact quantity of mineral oil.

Repairs which require opening the liquid reservoir must be made by the manufacturer, its representatives or customer service.

The manufacturer accepts no responsibility for harm to persons, animals, and objects which may result from untrained handling of or improper work on the radiator.

TABLE OF TECHNICAL PROBLEMS:

PROBLEM	RADIATOR STATUS	POSSIBLE CAUSE	SOLUTION
The radiator does not heat up	LCD not lit	Lack of power supply	Verify that power is flowing to the appliance
The radiator does not heat up	LCD on	Heating element or regulation board malfunction	Contact technical support for repair
The room does not get hot enough in Comfort mode	LCD on	The radiator is not large enough for the size of the room	Replace the radiator with one with greater output
The room does not get hot enough in Comfort mode	LCD on	The thermostat is set on a position that is too low	Adjust the thermostat to a higher position
Ineffective ambient temperature regulation	Led lit (red)	The temperature probe is faulty	Contact technical support for repair
The radiator is leaking oil	Any	Defect in the body or improperly closed connections	Contact technical support for repair

9. WARRANTY

The electrical system of the radiator is guaranteed two years from the date of purchase against manufacturing defects.

Cast aluminium structure is guaranteed for 10 years from the date of purchase.

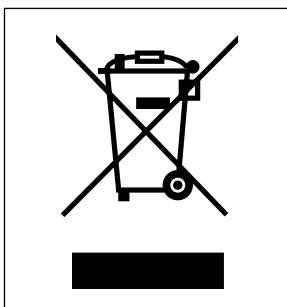
The warranty will be taken into consideration on presentation of the dated invoice.



The installation must comply with applicable standards and regulations.

Wear parts, expendable materials and accessories are excluded from the warranty as well as any breaking due to transport and/or unauthorised disassembling.

10. ENVIRONMENT



The symbol placed on the appliance and shown here indicates that the product is subject to separate collection of electrical appliances.

At the end of its useful life, it cannot be disposed of together with common municipal solid waste, but must be disposed of at a specific collection centre for the area or be given to the distributor when a new appliance of the same type is purchased for the same use. Separate collection of electrical and electronic appliances is part of a policy aimed at defending, protecting and improving the quality of the environment, and at limiting the harmful effects on human health caused by the presence of substances considered hazardous according to the classification applied in European directives or an unauthorised use of them or their parts.

Warning! Improper disposal of the appliance is subject to penalties.

DECLARATION OF CONFORMITY

With the present,

FONDITAL S.p.A.
with headquarters at
via Cerreto 40, 25079 Vobarno (BS), Italy

hereby declares that the

ELECTRICAL RADIATORS FOR HEATING

Models

ALCOR FA

manufactured by **FONDITAL S.p.A.**

are manufactured in accordance with European directives

- DIRECTIVE 2006/95/CE of 12 December 2006 on the harmonisation of the laws of Member States relating to Electrical Equipment designed for use within certain voltage limits (low voltage)
- DIRECTIVE 2004/108/CE, for electromagnetic compatibility
- DIRECTIVE 2002/96/CE of 27 January 2003 on waste from electrical and electronic equipment (WEEE).

and in accordance with the following harmonized regulations:

- EN 60335-1 (2004-04): safety of electrical equipment for domestic or similar uses. Part 1: General regulations.
- EN 60335-2-30 (2006-05): safety of electrical equipment for domestic or similar uses. Part 2: Specific regulations for electrical heating appliances for premises.
- EN 55014-1: 2000 + A1: 2001 + A2: 2002
- EN 61000-3-2: 2000
- EN 61000-3-3: 1995 +A1: 2001
- EN 55014-2: 1997 + A1: 2001
- EN 61000-4-2: 1995 +A1: 1999 +A2: 2001
- EN 61000-4-4: 1995 +A1: 2001 +A2: 2002
- EN 61000-4-5: 1995 +A1: 2001
- EN 61000-4-6: 1996 +A1: 2001
- EN 61000-4-11: 1994 +A1: 2001

FONDITAL S.p.A.
For the Management

Technical Office Manager
Ing. Roberto Cavallini

Vobarno (Italy), 2013



0ZLIBIST56

fondital

FONDITAL S.p.A.

25079 VOBARNO (Brescia) Italy - Via Cerreto 40

Tel. +39 0365 878.31 - Fax +39 0365 878.576

e mail: info@fondital.it - www.fondital.com

The manufacturer reserves the right to modify the products
as it deems necessary and useful, without affecting their basic features.