

Garda
5/90



Low thermal inertia



Low water content



Versatility



Easy to stock and install



16
bar

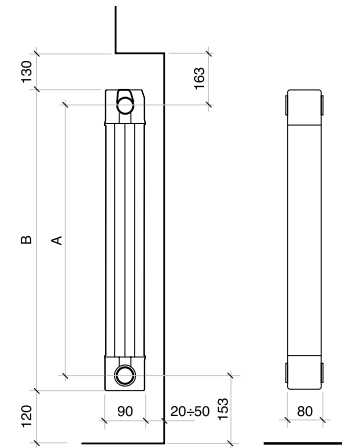
Maximum working pressure



Standard supply	3, 4, 5, 6 sections
Colours	RAL 9010 White
Maximum working pressure	16 bar
Test pressure	24 bar
Included in the package	Water diaphragm (retainer cap)

All models **Garda S/90** are guaranteed **10 years** from installation date on manufacturing faults, provided that the installation has been performed in compliance with the current norms and respecting the instructions relating to the installation, the correct use and the correct maintenance as illustrated on this catalogue.

Model	Heat output					
	ΔT 20	ΔT 30	ΔT 40	ΔT 50	ΔT 60	ΔT 70
	W/sect.	W/sect.	W/sect.	W/sect.	W/sect.	W/sect.
900	52,3	90,9	134,4	182,0	233,3	287,7
1000	55,9	97,2	143,9	195,0	250,0	308,5
1200	64,1	111,3	164,6	223,0	285,8	352,5
1400	71,9	124,8	184,6	250,0	320,3	395,1
1600	77,5	135,9	202,4	275,0	354,8	439,2
1800	86,5	150,0	221,6	300,0	384,2	473,6
2000	90,7	159,5	237,9	324,0	418,0	518,0



MEASURES EXPRESSED IN MILLIMETRES

Model	Code	Depth	Height	Centre distance	Length	Connection diameters	Water capacity	Exponent	Coefficient
		mm	(B) mm	(A) mm	mm	inches	litres/sect.	n	Km
900	83A014	90	966	900	80	G1	0,43	1,3605	0,8886
1000	83B014	90	1066	1000	80	G1	0,47	1,3630	0,9426
1200	83C014	90	1266	1200	80	G1	0,55	1,3610	1,0864
1400	83D014	90	1466	1400	80	G1	0,62	1,3600	1,2227
1600	83E014	90	1666	1600	80	G1	0,70	1,3843	1,2260
1800	83F014	90	1866	1800	80	G1	0,78	1,3570	1,4846
2000	83G014	90	2066	2000	80	G1	0,86	1,3905	1,4083

Maximum working pressure: 1600 kpa (16 bar)

 Characteristic equation of the model $\Phi = Km \Delta T^n$

Stated heat output values are in accordance with European Standard EN 442-1:2014 and certified by Cetiat - Notified body No. 1623.

Item	Description	Code
	A 72 1/2" Plug/Adapters/Brackets kit, colour white (Rough brackets, not painted): 1 Bleed valve 1/2"; 1 Rh blanking plug; 1 Lh blanking plug; 2 Rh adapters 1/2"; 2 Lh adapters 1/2"; 4 O-ring seals; 2 Supporting brackets	550118
	A 73 3/4" Plug/Adapters/Brackets kit, colour white (Rough brackets, not painted): 1 Bleed valve 3/4"; 1 Rh blanking plug; 1 Lh blanking plug; 2 Rh adapters 3/4"; 2 Lh adapters 3/4"; 4 O-ring seals; 2 Supporting brackets	550119
	A 30/1 Rubber lockshield plug (water diaphragm)	521011
	A 32/1 O-ring seal for nipples, plugs and adapters	530102
	A 33/1 Nipple for home furnishing radiators	521012
	A 36/4 4 Element towel rail - Colour: White RAL 9010	570014
	A 36/5 5 Element towel rail - Colour: White RAL 9010	570024
	A 36/6 6 Element towel rail - Colour: White RAL 9010	570124

