

Garda
DUAL/80



Low thermal inertia



Low water content



Versatility



Easy to stock and install



16 bar
Maximum working pressure

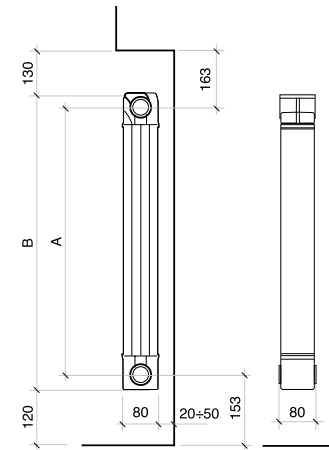
CE₀₅



Standard supply	3, 4, 5, 6 sections
Colours	RAL 9010 White
Maximum working pressure	16 bar
Test pressure	24 bar
Included in the package	Water diaphragm (retainer cap)

All models **Garda Dual 80** are guaranteed **10 years** from installation date on manufacturing faults, provided that the installation has been performed in compliance with the current norms and respecting the instructions relating to the installation, the correct use and the correct maintenance as illustrated on this catalogue.

Model	Heat output					
	ΔT 20	ΔT 30	ΔT 40	ΔT 50	ΔT 60	ΔT 70
	W/sect.	W/sect.	W/sect.	W/sect.	W/sect.	W/sect.
900	49,7	86,6	128,5	174,4	223,8	276,4
1000	52,9	92,9	138,6	189,1	243,6	301,9
1200	60,2	105,8	157,7	215,0	276,9	343,1
1400	67,6	118,6	176,8	241,0	310,4	384,4
1600	73,9	130,2	194,7	266,0	343,2	425,8
1800	81,1	142,1	211,5	288,0	370,6	458,7
2000	86,7	152,4	227,3	310,0	399,4	494,9



MEASURES EXPRESSED IN MILLIMETRES

Model	Code	Depth	Height	Centre distance	Length	Connection diameters	Water capacity	Exponent	Coefficient
		mm	(B) mm	(A) mm	mm	inches	litres/sect.	n	Km
900	82F014	80	966	900	80	G1	0,47	1,3695	0,8217
1000	82G014	80	1066	1000	80	G1	0,52	1,3908	0,8198
1200	82H014	80	1266	1200	80	G1	0,60	1,3889	0,9391
1400	82I014	80	1466	1400	80	G1	0,70	1,3875	1,0585
1600	82L014	80	1666	1600	80	G1	0,79	1,3980	1,1213
1800	82M014	80	1866	1800	80	G1	0,88	1,3832	1,2864
2000	82N014	80	2066	2000	80	G1	0,96	1,3902	1,3473

Maximum working pressure: 1600 kpa (16 bar)

 Characteristic equation of the model $\Phi = Km \Delta T^n$

Stated heat output values are in accordance with European Standard EN 442-1:2014 and certified by Cetiat - Notified body No. 1623.

Item	Description	Code
	A 72 1/2" Plug/Adapters/Brackets kit, colour white (Rough brackets, not painted): 1 Bleed valve 1/2"; 1 Rh blanking plug; 1 Lh blanking plug; 2 Rh adapters 1/2"; 2 Lh adapters 1/2"; 4 O-ring seals; 2 Supporting brackets	550118
	A 73 3/4" Plug/Adapters/Brackets kit, colour white (Rough brackets, not painted): 1 Bleed valve 3/4"; 1 Rh blanking plug; 1 Lh blanking plug; 2 Rh adapters 3/4"; 2 Lh adapters 3/4"; 4 O-ring seals; 2 Supporting brackets	550119
	A 30/1 Rubber lockshield plug (water diaphragm)	521011
	A 32/1 O-ring seal for nipples, plugs and adapters	530102
	A 33/1 Nipple for home furnishing radiators	521012
	A 36/4 4 Element towel rail - Colour: White RAL 9010	570014
	A 36/5 5 Element towel rail - Colour: White RAL 9010	570024
	A 36/6 6 Element towel rail - Colour: White RAL 9010	570124

