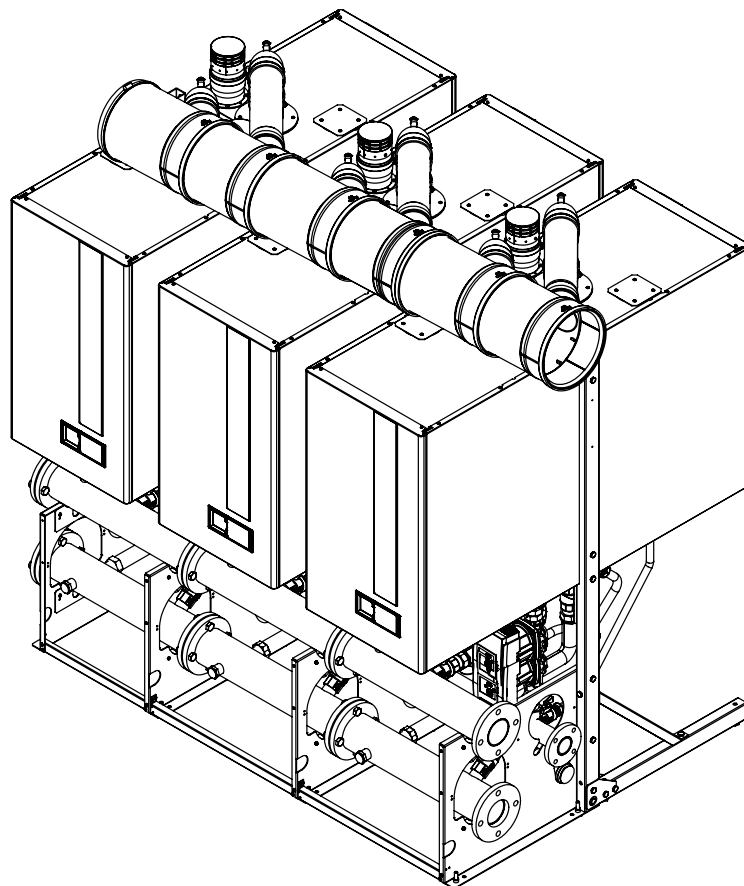




ITACA CH KR MODULAR HEAT GENERATORS ON FRAME INDOOR INSTALLATION ONLY BACK TO BACK

INSTALLATION, USE



It is compulsory to read this manual before proceeding with the product installation, use and maintenance operations.

This system is intended for production of hot technical water only:

- For heating of residential, commercial and industrial rooms.
- For heating of industrial process water.
- For indirect production of domestic hot water.

Any other use is forbidden.

IST 03 C 1437 - 02

EN

Dear Sirs,
thank You for choosing and buying one of our products. Please read these instructions carefully in order to properly install, operate, and maintain the product.



WARNING

We inform users that:

- **Boilers shall be installed by an authorised company under the requirements set forth by the prevailing rules, in full compliance with the prevailing regulations and standards.**
 - **Anyone entrusting installation to an unqualified installer will be subject to administrative sanctions.**
 - **Boilers must be maintained by qualified personnel only, under the requirements set forth by the prevailing rules.**
-

We hereby inform you that certain models, versions and/or accessories relevant to the products this manual refers to, might not be available in some countries.

Therefore, it is recommended to contact the manufacturer or the importer in order to get the necessary information about the actual availability of such models, versions and/or accessories.

The manufacturer reserves the right to modify the products and/or its components as deemed necessary, in any moment and without prior notice.

This instruction manual is available in two languages, Italian and English, without prejudice to the prevalence of Italian language in case of differences in translation and/or dispute on construction of the text.

General notes for installing and maintenance technicians, and users

This instruction manual is an integral and essential part of the product. It shall be supplied by the installer to the user who shall keep it carefully to consult it whenever necessary.

This document shall be supplied together with the equipment in case the latter is sold or transferred to others.



WARNING

This boiler is intended for production of hot technical water only:

- For heating of residential, commercial and industrial rooms.
- For heating of industrial process water.
- For indirect production of domestic hot water.

Any other use is forbidden.



DANGER

This boiler must be installed by qualified personnel.

The installation by unqualified personnel is forbidden.



DANGER

This boiler must be installed in compliance with the requirements of the technical standards and legislation in force relating to gas appliances, particularly with reference to ventilation of the premises.

Any installation that does not comply with the requirements of the technical standards and legislation in force is forbidden.



DANGER

This boiler must be installed according to the manufacturer's instructions given in this manual. Incorrect installation may cause injury to persons and/or animals and damage to property. The manufacturer shall not be held liable for any such injury and/or damage.



WARNING

This boiler must be installed inside the building or in a partially sheltered place.

A partially sheltered place is a place which is not directly exposed to atmospheric agents.

Any installation in a place that is not partially sheltered is forbidden.



DANGER

This boiler must be correctly and safely connected to an electrical system compliant with the existing technical standards.

Any incorrect and unsafe connection to the electrical system is forbidden.

It is forbidden to connect the boiler to an electrical system lacking a differential switch to protect the boiler power line.

Any connection to an electrical system lacking a proper grounding system is forbidden.



WARNING

The boiler is supplied with a three-pole power cable, already connected to the electronic board and it is provided with a safety clamp.

This boiler must be connected to a 230V power supply network, as indicated on the label affixed to the power cable.

**DANGER**

Carefully read the instructions relating to air intake and flue gas venting systems in the specific section of this manual.

**DANGER**

This boiler must be connected to a gas distribution system which complies with the existing technical standards.

Check the gas system state of conservation before installing the boiler.

Any connection to a gas system which does not comply with the existing technical standards is forbidden.

When connecting the boiler to gas supply network, it is compulsory to install an appropriately sized gasket made from suitable material.

The boiler gas inlet coupling is not suitable for hemp, teflon tape or similarly made gaskets.

After connecting the boiler, check the connection for tightness.

Once gas is in the pipes, leak test by a naked flame is forbidden; use specific products available on the market.

**DANGER**

With gas fired boilers, take the following measures if you smell gas:

- **Do not turn on or off electric switches and do not turn on electric appliances.**
- **Do not ignite flames and do not smoke.**
- **Close the main gas cock.**
- **Open doors and windows.**
- **Contact a Service Centre, a qualified installer or the gas supply company.**

Never use a flame to locate a gas leak.

The boiler is designed for installation in the countries indicated on the technical data plate applied both to the package and to the boiler itself: installation in any other country may be a source of danger for people, animals and/or property.

The manufacturer will bear no contractual and tortious liability for failure to comply with all the instructions above.

Before installing the boiler, check that the technical data correspond to the requirements for its correct use in the system.

Check that the boiler is intact and it has not been damaged during transport and handling. Do not install equipment which is clearly damaged and/or faulty.

Damage and/or injury caused by incorrect installation or use and/or damage and/or injury due to non-observance of the manufacturer's instructions shall release the manufacturer from any and all contractual and extra-contractual liability.

Do not obstruct the air intake openings.

Only original accessories or optional kits (including the electric ones) are to be installed.

Properly dispose of the packaging as all the materials can be recycled. The packaging must therefore be sent to specific waste management sites.

After removing the packaging, make sure that its elements (clips, plastic bags, foam polystyrene etc.) are not left within the reach of children as they are potential hazard sources.

In the event of failure and/or faulty functioning, switch off the boiler. Do not attempt to make repairs: contact qualified technicians.

Original parts must be used for all repairs to the boiler.

Non-observance of the above requirements may affect the safety of the boilers and endanger people, animals and/or property.

This appliance is not intended for use by persons (including children) with reduced physical, sensory or mental capabilities, or lack of experience and knowledge, unless they have been given supervision or instruction concerning use of the appliance by a person responsible for their safety.

Children should be supervised to ensure that they do not play with the appliance.

**DANGER**

Before starting the boiler, and each time it is at a standstill for several days, make sure the trap is full of water. If the trap is empty, fill it by pouring water into the boiler through the flue gas venting duct.

**WARNING**

The boiler must be serviced periodically as indicated in the relevant section of this manual. Appropriate boiler maintenance ensures efficient operation, environment preservation, and safety for people, animals and objects. Incorrect and irregular maintenance can be a source of danger for people, animals and property.

The user is strongly advised to have the system serviced and repaired by qualified personnel, satisfying all prevailing law requirements, and trained to properly carry out these operations.

In the event of long periods of inactivity of the boiler, disconnect it from the electrical power mains and close the gas cock.

**WARNING**

With the electrical power disconnected and the gas cock closed, the device's electrical anti-freeze function does not work.

Should there be a risk of freezing, add antifreeze: it is not advisable to drain the system as this may result in damage; use specific anti-freeze products suitable for multi-metal heating systems.

**DANGER**

Damage and/or injury caused by incorrect installation and/or incorrect use and/or unauthorized changes to the boiler and/or non-observance of the manufacturer's instructions and/or of the relative standards/laws in force in the country of installation, shall release the manufacturer from any and all liability.

1.1	Load-bearing frame overall dimensions	9
1.2	Instillation of the back to back support kit installation.....	10
1.3	Back to back modular generator on frame for indoor installation – description of system configuration	12
1.4	Configuration with direct collectors.....	14
1.5	Left/right hydraulic separator configuration	16
1.6	Left/right plate exchanger configuration	20
1.7	Positioning of generators on the frame	24
1.8	Assembling the hydraulic and gas components of the head module	25
1.9	Assembling the hydraulic and gas components of the expansion module.....	33
1.10	Installation of the hydraulic and gas components of the head module on back side	42
1.11	Installation of hydraulic and gas components of the expansion module on back side.....	48
1.12	Operations to close flow and return taps.....	53
1.13	Pump matching	53
1.14	Assembling the hydraulic separator.....	54
1.15	Plate exchanger technical data	56
1.16	Assembling the plate exchanger	58
1.17	Flue gas collector assembly and configuration tables.....	64
1.18	Nominal data tables.....	78
1.19	Nominal electrical data tables	79
1.20	Tables of dimensions, weights, connections and volumes.....	80
1.21	Tables of flue - shared collector dimensioning	81
1.22	Design data tables.....	82
1.23	Pressure loss.....	83
1.24	Wiring diagrams	89
1.25	Cascade connections	96
1.26	Decommissioning, disassembly and disposal.....	102

Fig. 1 Supporting frames for configuration with max. 4 boilers (2+2)	9
Fig. 2 Supporting frames for configuration with max. 6 boilers (3+3)	9
Fig. 3 Configuration 1+1	12
Fig. 4 Configuration 2+1	12
Fig. 5 Configuration 2+2	13
Fig. 6 Configuration 3+2	13
Fig. 7 Configuration 3+3	13
Fig. 8 Combination with direct collectors	14
Fig. 9 Combination of left hydraulic separator	16
Fig. 10 Combination of right hydraulic separator	18
Fig. 11 Combination of left plate exchanger	20
Fig. 12 Combination of right plate exchanger	22
Fig. 13 Installation of the flue gas duct of models 120-150 (2+2 configuration)	65
Fig. 14 Installation of the flue gas duct of models 120-150 (3+3 configuration)	66
Fig. 15 Installation of the flue gas duct of models 120-150 (3+2 configuration)	66
Fig. 16 Configuration 1+1	67
Fig. 17 Configuration 2+1	67
Fig. 18 Configuration 2+2	68
Fig. 19 Configuration 3+2	68
Fig. 20 Configuration 3+3	68
Fig. 21 Hydraulic separator flow resistance on system side	83
Fig. 22 120 kW plate exchanger flow resistance on primary side and secondary side	84
Fig. 23 205 kW plate exchanger flow resistance on primary side and secondary side	84
Fig. 24 300 kW plate exchanger flow resistance on primary side and secondary side	85
Fig. 25 360 kW plate exchanger flow resistance on primary side and secondary side	85
Fig. 26 450 kW plate exchanger flow resistance on primary side and secondary side	86
Fig. 27 540 kW plate exchanger flow resistance on primary side and secondary side	86
Fig. 28 600 kW plate exchanger flow resistance on primary side and secondary side	87
Fig. 29 690 kW plate exchanger flow resistance on primary side and secondary side	87
Fig. 30 780 kW plate exchanger flow resistance on primary side and secondary side	88
Fig. 31 900 kW plate exchanger flow resistance on primary side and secondary side	88
Fig. 32 Wiring diagram for models from 45 to 60	89
Fig. 33 Connections performed by the installer	90
Fig. 34 Wiring diagram for models from 85 to 120	92
Fig. 35 Wiring diagram for models from 150	93
Fig. 36 Connections performed by the installer	94
Fig. 37 Cascade connection	96

Tab. 1 Pump matching	53
Tab. 2 Plate exchanger dimensions	56
Tab. 3 Stub pipe lengths.	69
Tab. 4 Configurations with 45 to 85 models	69
Tab. 5 Configurations with 85 to 150 models	70
Tab. 6 Configurations with 120-150 models	71
Tab. 7 Various accessories.	72
Tab. 8 Various accessories (I)	73
Tab. 9 D.200 accessories (I).	74
Tab. 10 D.200 accessories (II)	75
Tab. 11 D.250 accessories (I).	76
Tab. 12 D.250 accessories (II)	77
Tab. 13 Stub pipe lengths.	78
Tab. 14 Nominal data for configurations from 90 to 240.	78
Tab. 15 Nominal data for configurations from 255 to 480.	78
Tab. 16 Nominal data for configurations from 540 to 900.	79
Tab. 17 Nominal electrical data for configurations from 90 to 240	79
Tab. 18 Nominal electrical data for configurations from 255 to 480	79
Tab. 19 Nominal electrical data for configurations from 540 to 900	79
Tab. 20 Dimensions, weights, connections and volumes for configurations from 90 to 240	80
Tab. 21 Dimensions, weights, connections and volumes for configurations from 255 to 480	80
Tab. 22 Dimensions, weights, connections and volumes for configurations from 540 to 900	81
Tab. 23 Flue - shared collector dimensioning for configurations from 90 to 240	81
Tab. 24 Flue - shared collector dimensioning for configurations from 255 to 480	81
Tab. 25 Flue - shared collector dimensioning for configurations from 540 to 900	82
Tab. 26 Design data for configurations from 90 to 240.	82
Tab. 27 Design data for configurations from 255 to 480.	82
Tab. 28 Design data for configurations from 540 to 900.	83
Tab. 29 Minimum modulation head output setting	98



WARNING

MODULAR GENERATORS ON LOAD-BEARING FRAME DESCRIBED IN THIS MANUAL ARE ONLY INTENDED FOR INDOOR, INSTALLATIONS, OUTDOOR INSTALLATIONS ARE NOT PERMITTED.

1.1 Load-bearing frame overall dimensions

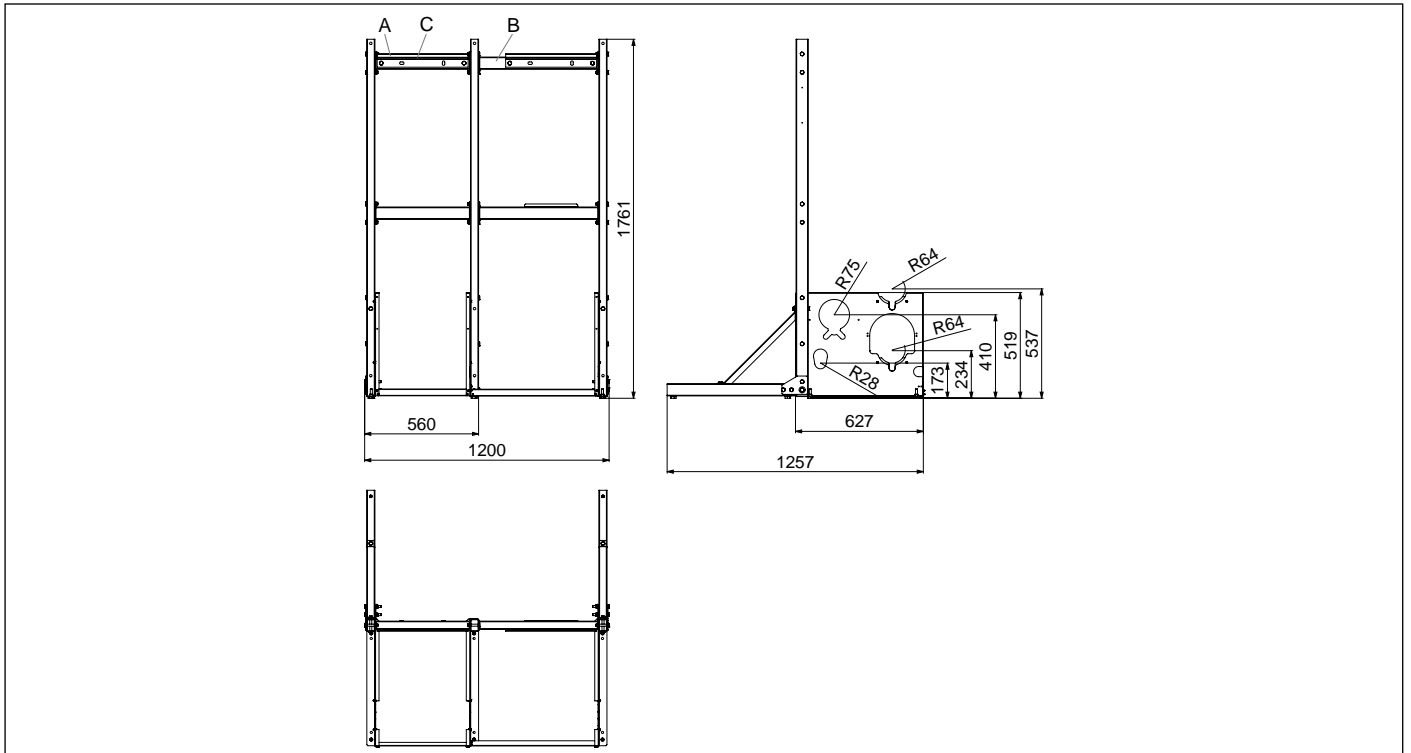


Fig. 1 Supporting frames for configuration with max. 4 boilers (2+2)

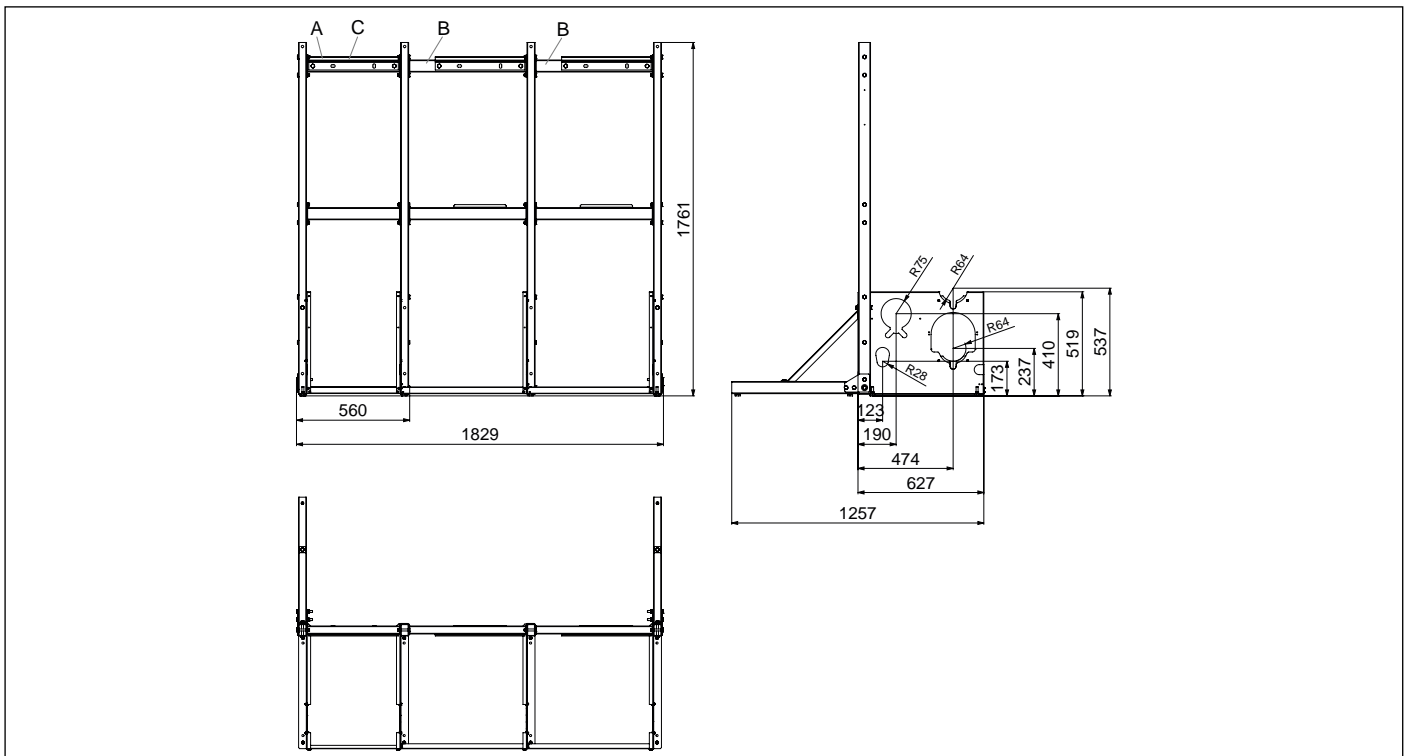


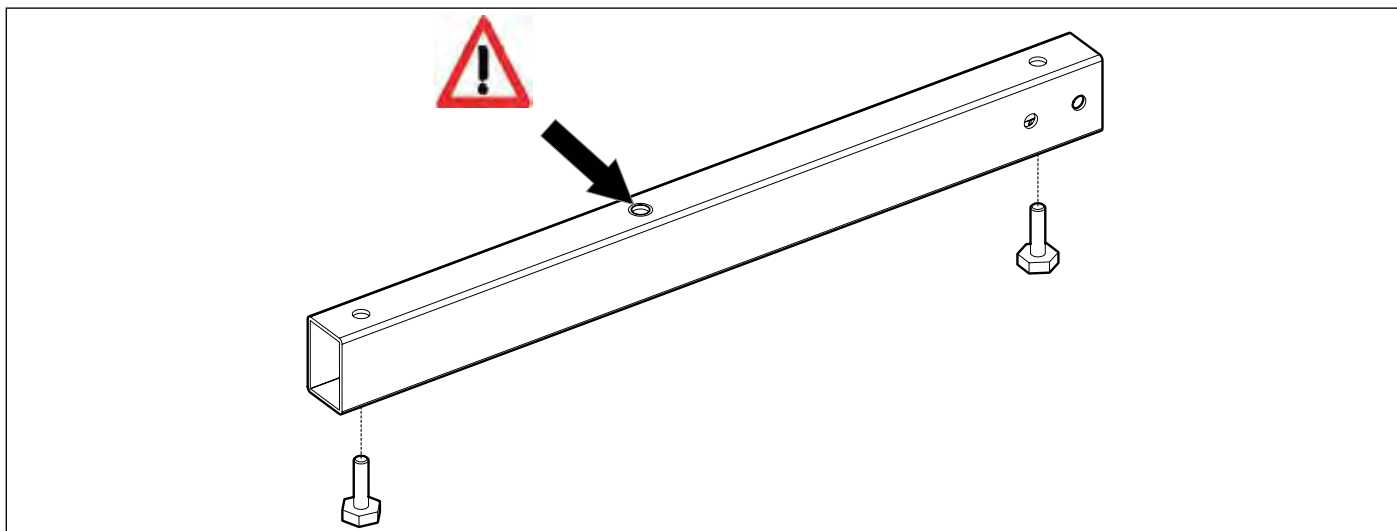
Fig. 2 Supporting frames for configuration with max. 6 boilers (3+3)

A = starting frame

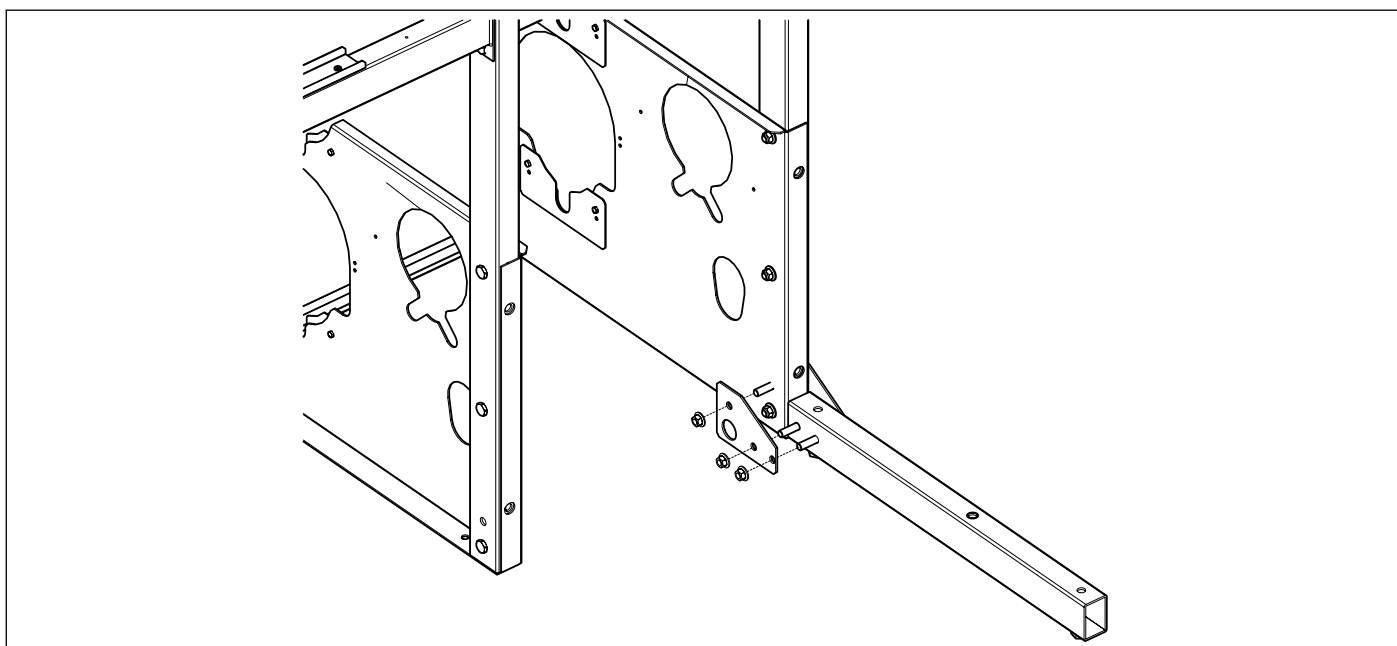
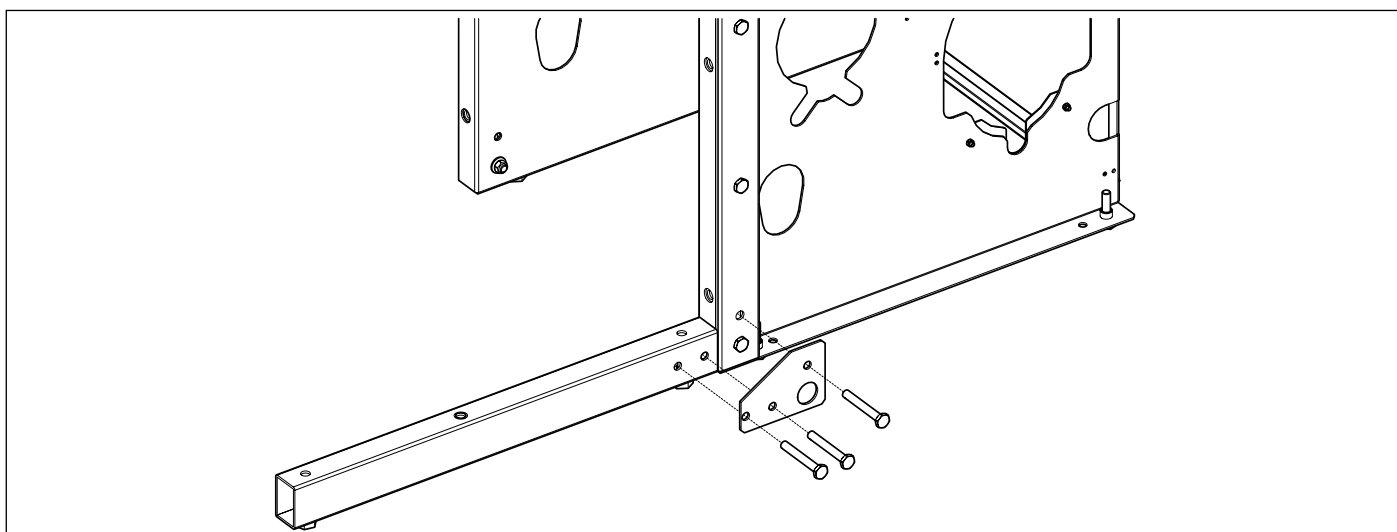
B = expansion frames to always be positioned to the right of the head frame regardless of the cascade direction

C = first frame to be positioned

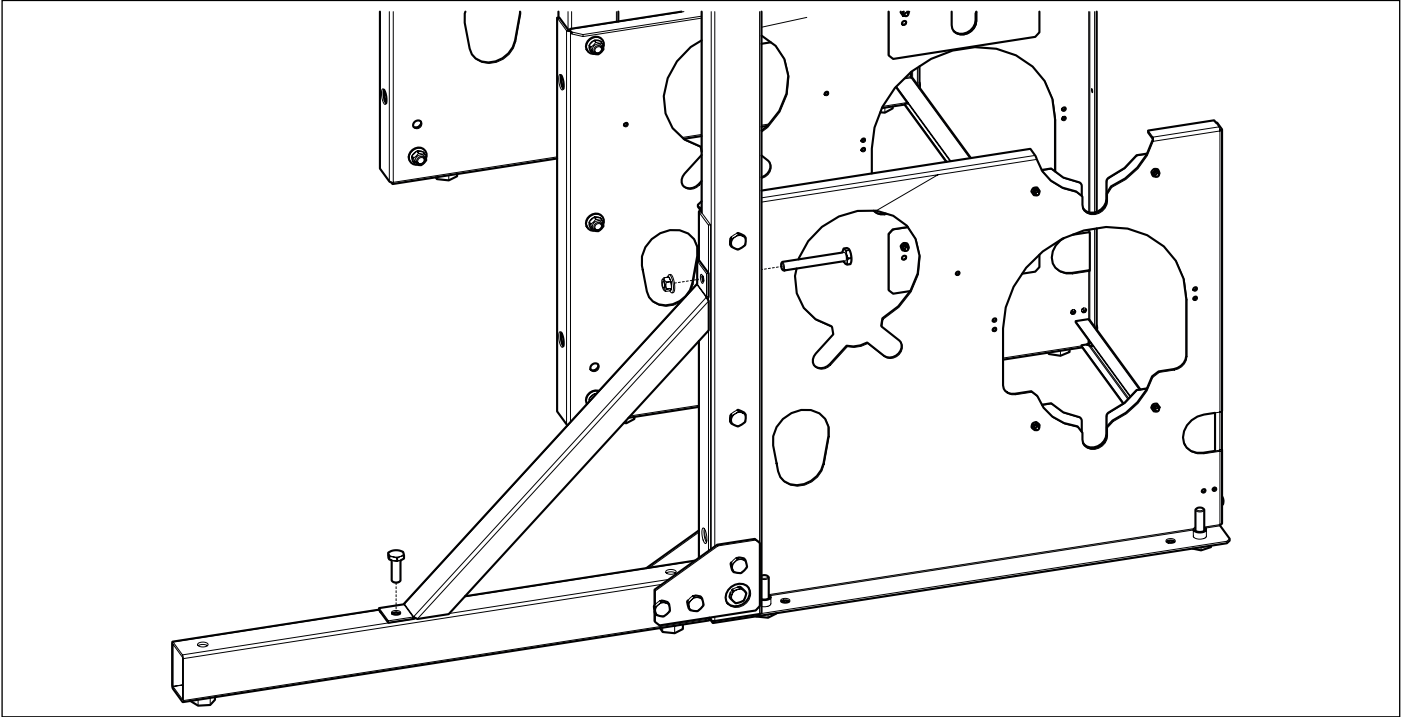
1.2 Installation of the back to back support kit installation



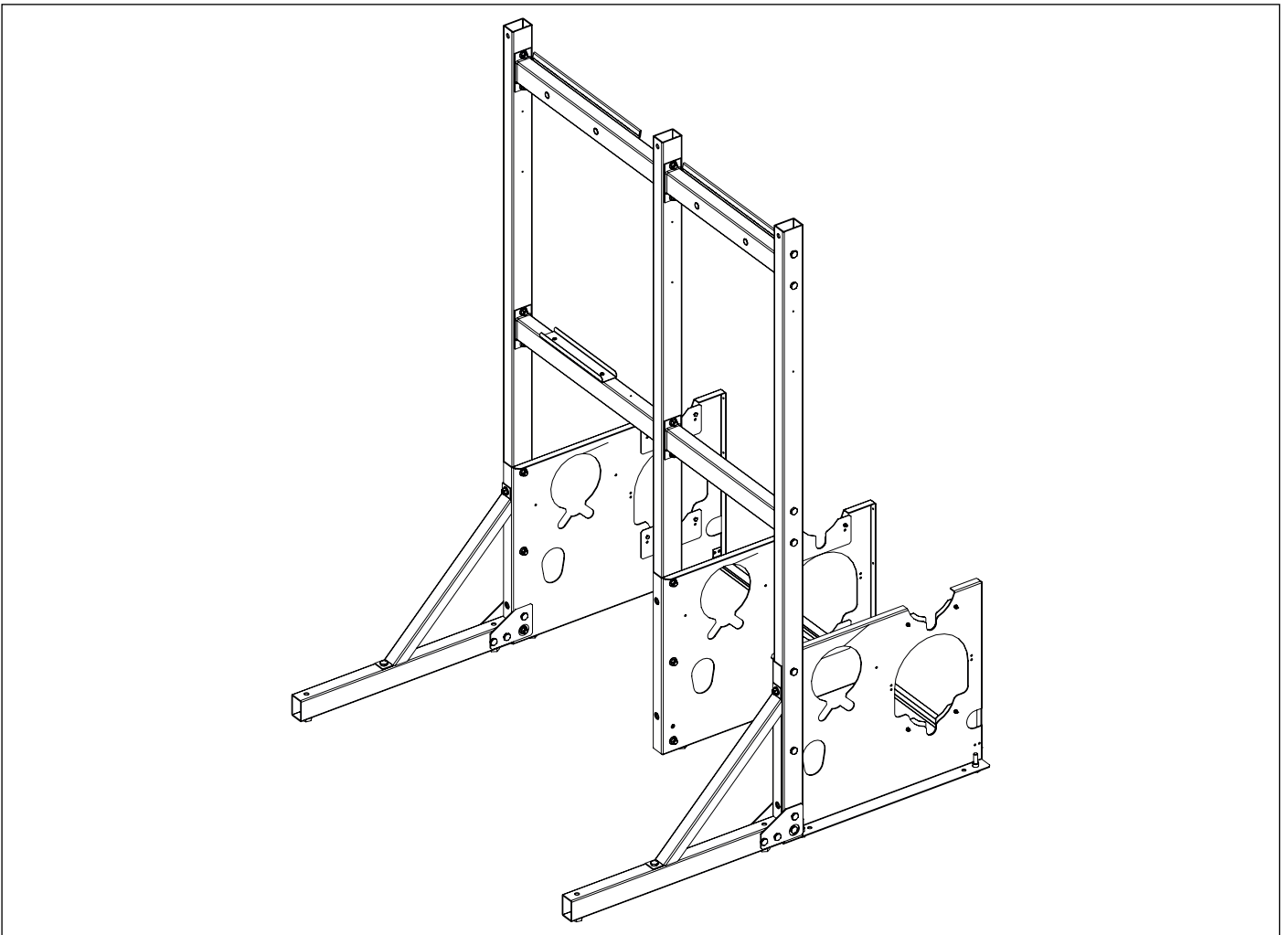
Fasten feet to crossbeams.



Fasten crossbeams and trapezoidal brackets to the structure using screws.



Fasten supporting crossbeams to the structure using screws.



WARNING

Crossbeams must always be installed on frame outer sides.

1.3 Back to back modular generator on frame for indoor installation – description of system configuration

The modular generator in "back to back" installation mainly consists of a line of cascade-connected boilers on "front side" and a line of cascade-connected boilers on "back side" up to a maximum of 3 heat generators per side.

The cascade-installed boilers on "front side" are characterised by an under-boiler hydraulic unit featuring the main water and gas collectors. The cascade-installed boilers on "back side" are characterised by an under-boiler hydraulic unit not featuring the main water and gas collectors, but instead the water and gas connecting ramps between boiler and system main collectors ("front side").

As for the possibility of installation and the number of modules, the following diagram shows the number of boilers installed on the "front side" n + the number of boilers installed on the "back side" m , $(n+m)$.

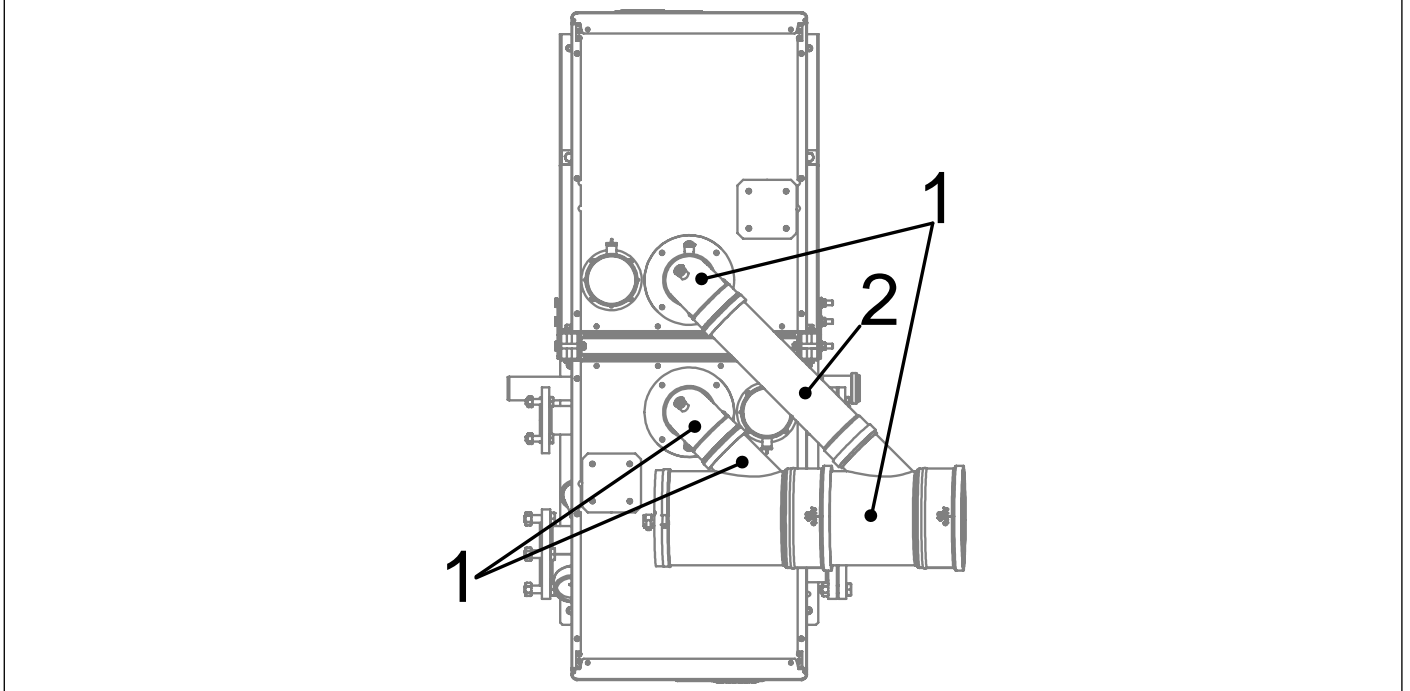


Fig. 3 Configuration 1+1

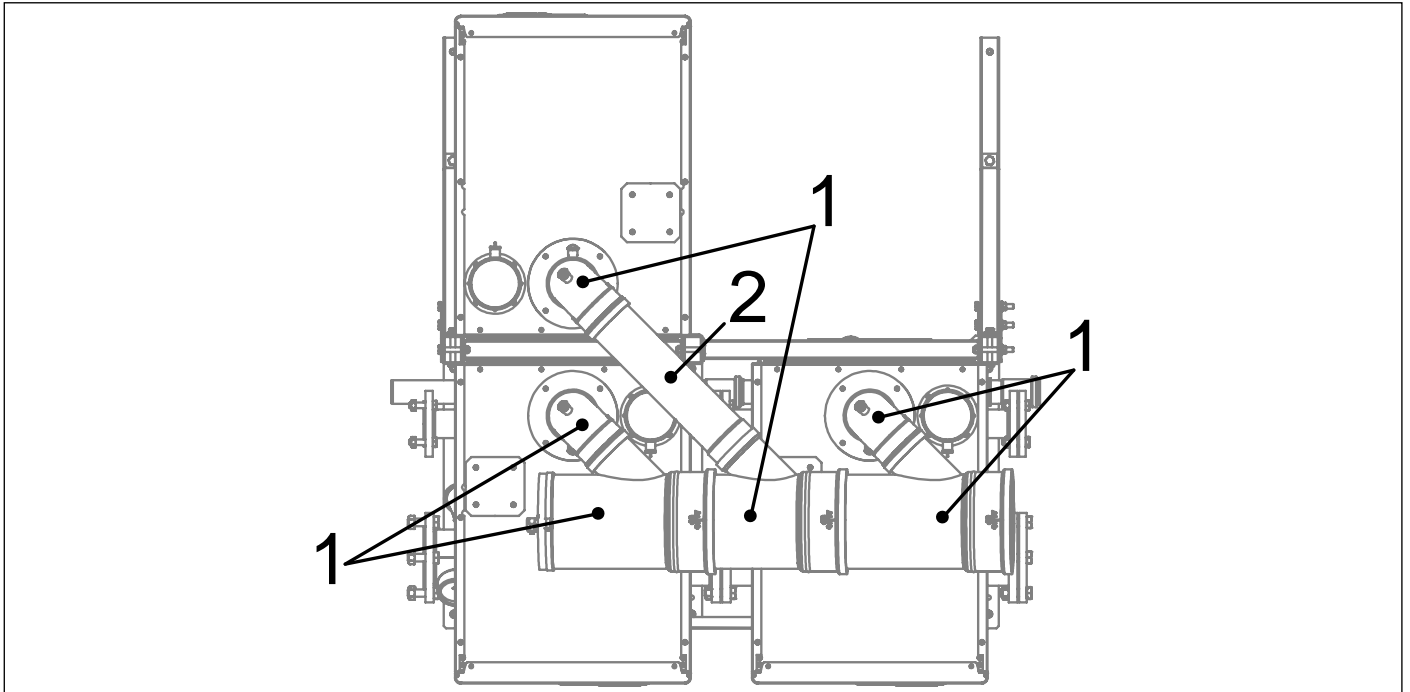


Fig. 4 Configuration 2+1

1 = FLUE GAS DUCT WITH CONNECTION

2 = FLUE GAS EXTENSION D 100

SEE CONFIGURATION FROM PAGE 69 A 73 FOR FLUE GAS VENT COMPONENTS.

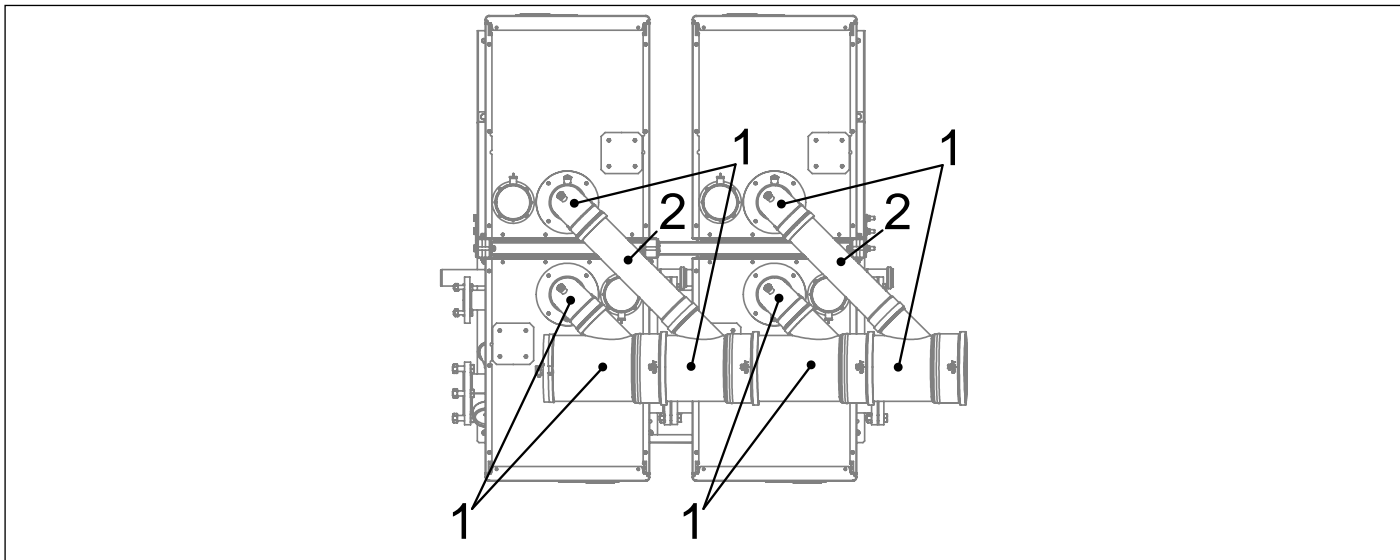


Fig. 5 Configuration 2+2

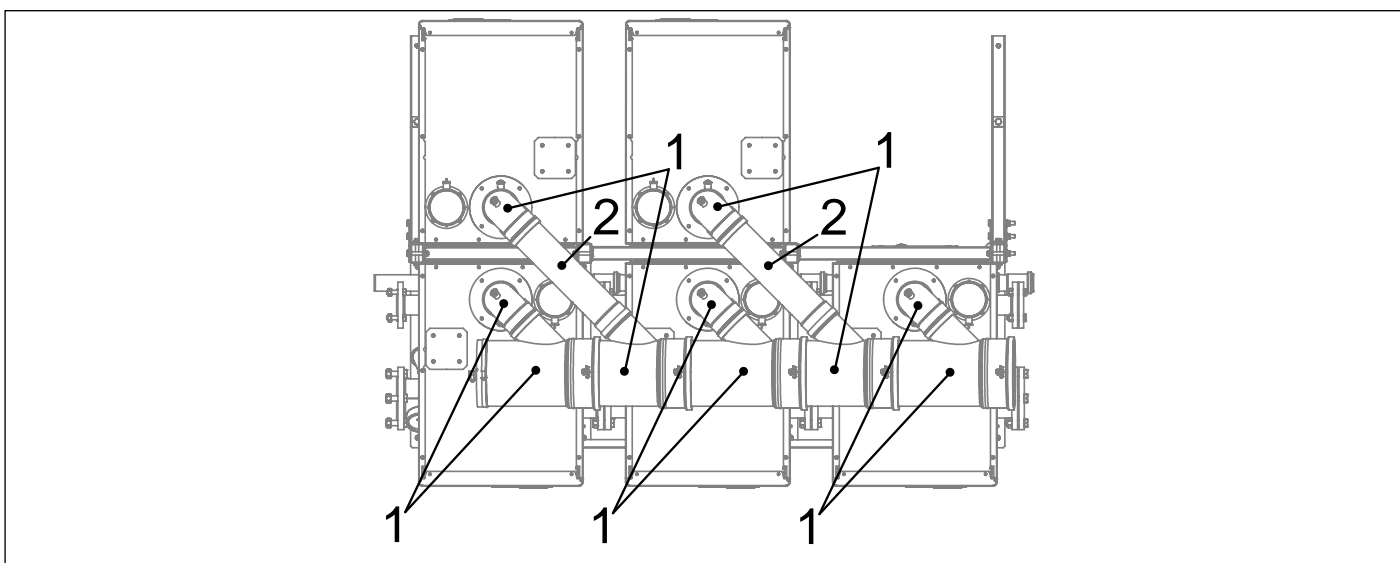


Fig. 6 Configuration 3+2

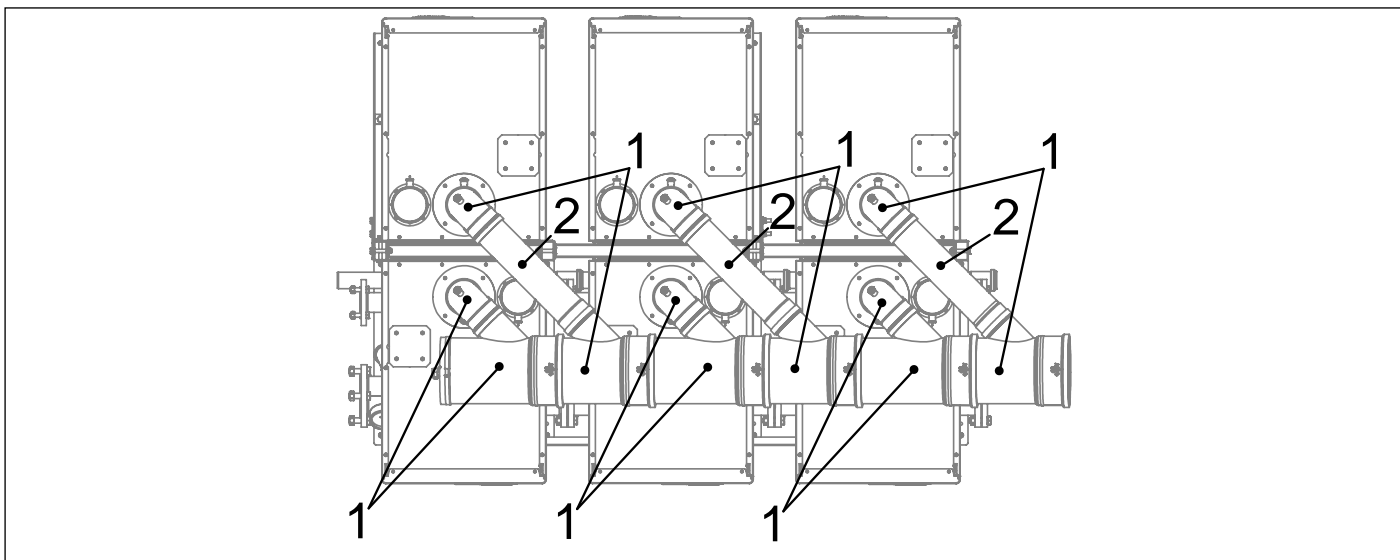


Fig. 7 Configuration 3+3

1 = FLUE GAS DUCT WITH CONNECTION

2 = FLUE GAS EXTENSION D 100

SEE CONFIGURATION FROM PAGE 69 A 73 FOR FLUE GAS VENT COMPONENTS.

1.4 Configuration with direct collectors

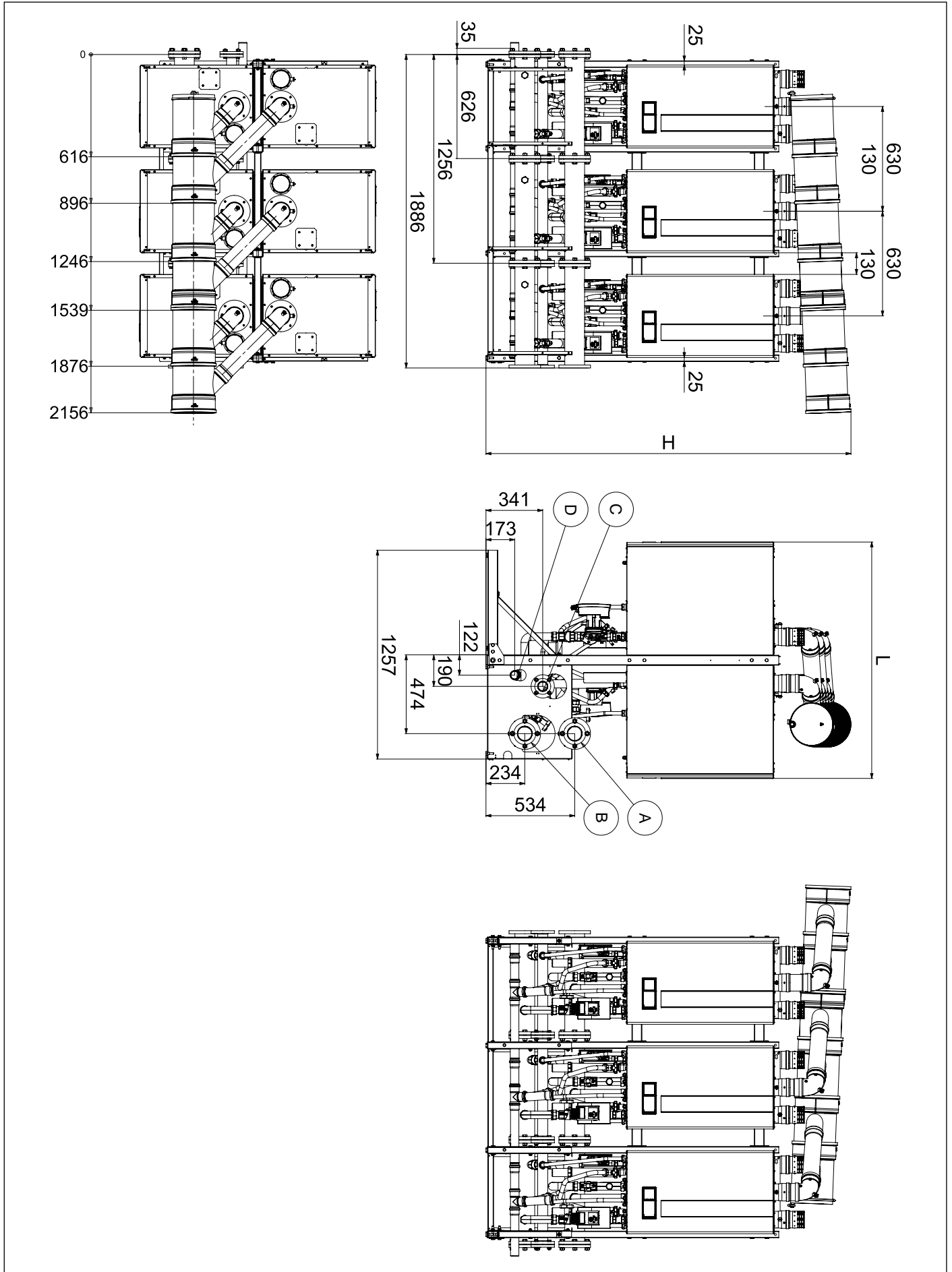


Fig. 8 Combination with direct collectors

Ref	Description
A	DN 80 PN 6 flanged primary circuit flow
B	DN 80 PN 6 flanged primary circuit return
C	DN 50 PN 6 flanged gas inlet
D	DN 50 condensate drain

MODULAR GENERATOR MODEL	CH KR HEAT GENERATORS					CON-FIG.	Pmax AD-JUSTMENT VS	TMS	DI-MEN-SION L	DI-MEN-SION H	FLUE GAS VENT MIN. DIAMETER
	45	60	85	120	150						
-	-	-	-	-	-	[n+m]	bar	°C	mm	mm	mm
90	x2	-	-	-	-	1+1	3	110	1060	2200	200
120	-	x2	-	-	-	1+1	3,5				
145	-	x1	x1	-	-	1+1	3,5				
170	-	-	x2	-	-	1+1	5				
180	-	x3	-	-	-	2+1	3,5				
205	-	x2	x1	-	-	2+1	3,5				
240	-	-	-	x2	-	1+1			1422	2220	
255	-	-	x3	-	-	2+1			1060		
270	-	-	-	x1	x1	1+1				2120	
300	-	-	-	-	x2	1+1					
360	-	-	-	x3	-	2+1	5				
390	-	-	-	x2	x1	2+1				2130	
450	-	-	-	-	x3	2+1					
480	-	-	-	x4	-	2+2					
540	-	-	-	x2	x2	2+2			1422	2150	
600	-	-	-	-	x4	2+2					
660	-	-	-	x3	x2	3+2				2180	
750	-	-	-	-	x5	3+2					
810	-	-	-	x3	x3	3+3			2190		
900	-	-	-	-	x6	3+3					



WARNING

FOR ALL 'DIRECT COLLECTOR' CONFIGURATIONS, IT IS MANDATORY TO SEPARATE THE PRIMARY CIRCUIT FROM THE SECONDARY CIRCUIT USING A HYDRAULIC SEPARATOR OR A PLATE EXCHANGER, AFTER CHECKING THAT HYDRAULIC CONNECTIONS AND FLOW RESISTANCES ARE NOT GREATER THAN THOSE INDICATED IN PARAGRAPH *Pressure loss* ON PAGE 83

1.5 Left/right hydraulic separator configuration

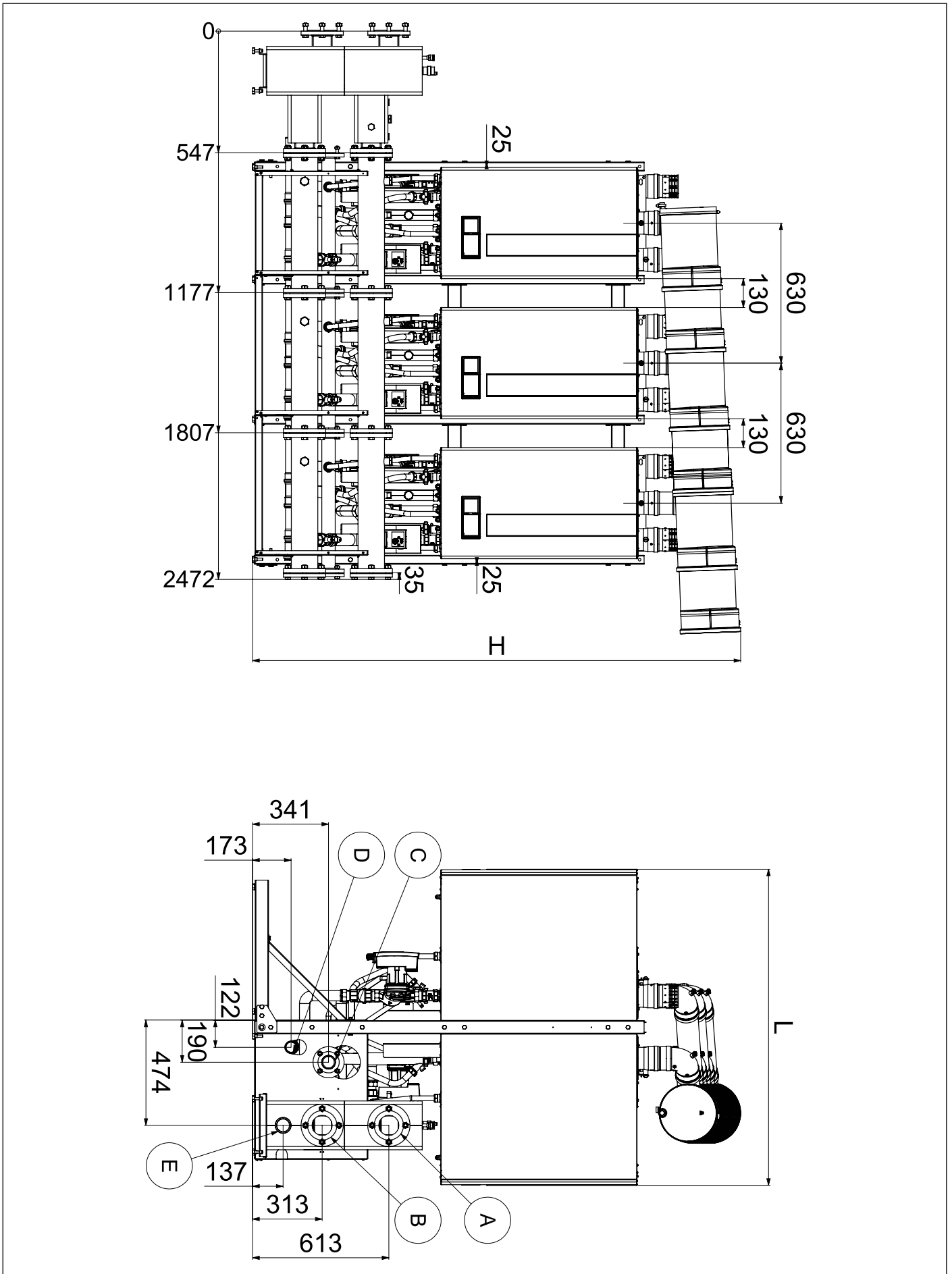


Fig. 9 Combination of left hydraulic separator

Ref	Description
A	DN 80 PN 6 flanged secondary circuit flow
B	DN 80 PN 6 flanged secondary circuit return
C	DN 50 PN 6 flanged gas inlet
D	DN 50 condensate drain
E	Circuit breaker drain G 1 1/2 F

MODULAR GENERATOR MODEL	CH KR HEAT GENERATORS					CON-FIG.	Pmax AD-JUSTMENT VS	TMS	DI-MEN-SION L	DI-MEN-SION H	FLUE GAS VENT MIN. DIAMETER
	45	60	85	120	150						
-	-	-	-	-	-	[n+m]	bar	°C	mm	mm	mm
90	x2	-	-	-	-	1+1	3	110	1060	2200	200
120	-	x2	-	-	-	1+1	3,5				
145	-	x1	x1	-	-	1+1	3,5				
170	-	-	x2	-	-	1+1	5				
180	-	x3	-	-	-	2+1	3,5				
205	-	x2	x1	-	-	2+1	3,5				
240	-	-	-	x2	-	1+1	5		1422	2220	
255	-	-	x3	-	-	2+1			1060	2120	
270	-	-	-	x1	x1	1+1			1422	2120	
300	-	-	-	-	x2	1+1				2130	
360	-	-	-	x3	-	2+1					
390	-	-	-	x2	x1	2+1				2150	
450	-	-	-	-	x3	2+1			2180		
480	-	-	-	x4	-	2+2					
540	-	-	-	x2	x2	2+2					
600	-	-	-	-	x4	2+2			2190		
660	-	-	-	x3	x2	3+2					
750	-	-	-	-	x5	3+2					
810	-	-	-	x3	x3	3+3	250				
900	-	-	-	-	x6	3+3					

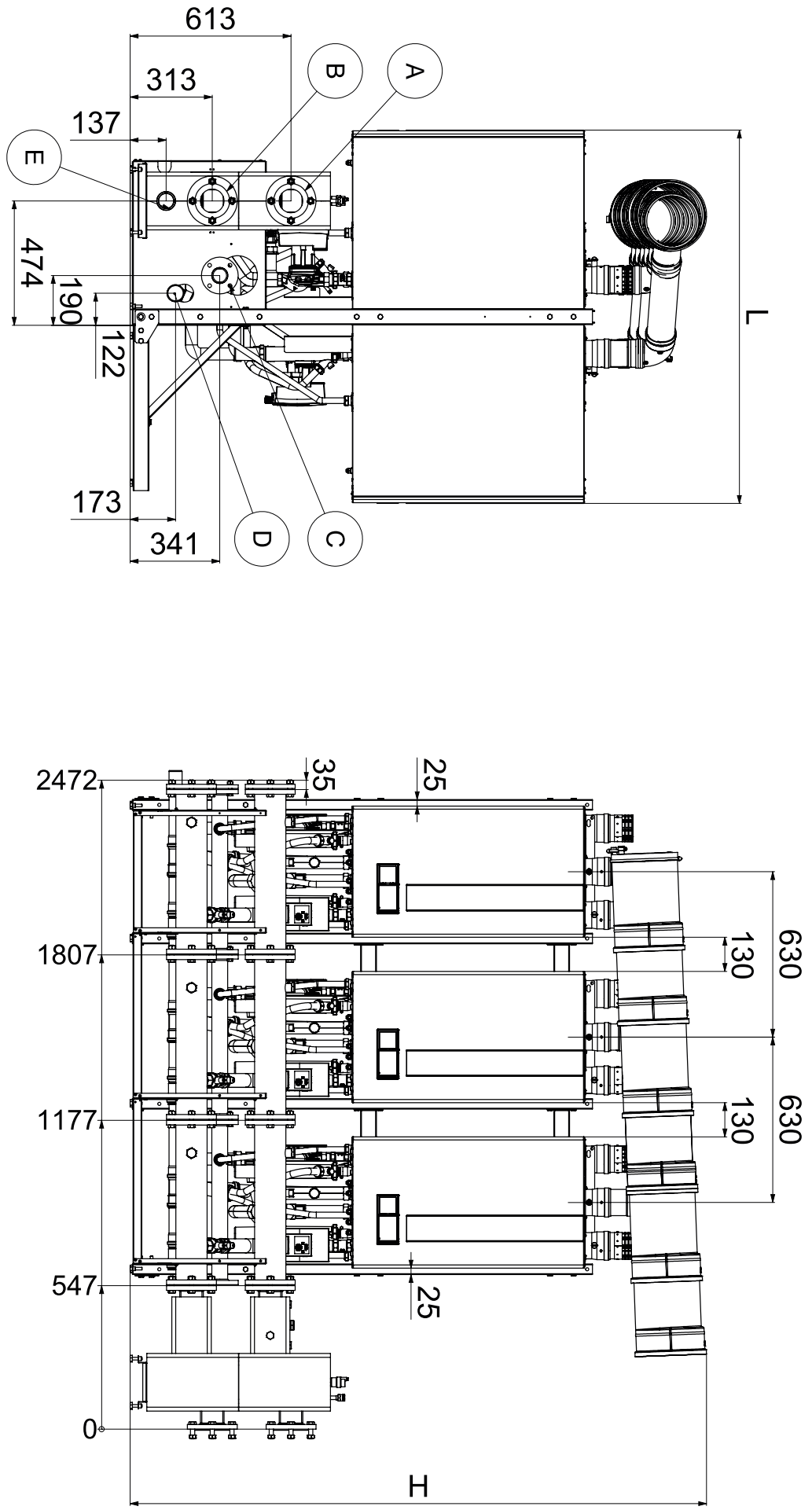


Fig. 10 Combination of right hydraulic separator

Ref	Description
A	DN 80 PN 6 flanged secondary circuit flow
B	DN 80 PN 6 flanged secondary circuit return
C	DN 50 PN 6 flanged gas inlet
D	DN 50 condensate drain
E	Circuit breaker drain G 1 1/2 F

MODULAR GENERATOR MODEL	CH KR HEAT GENERATORS					CON-FIG.	Pmax AD-JUSTMENT VS	TMS	DI-MEN-SION L	DI-MEN-SION H	FLUE GAS VENT MIN. DIAMETER
	45	60	85	120	150						
-	-	-	-	-	-	[n+m]	bar	°C	mm	mm	mm
90	x2	-	-	-	-	1+1	3	110	1060	2200	200
120	-	x2	-	-	-	1+1	3,5				
145	-	x1	x1	-	-	1+1	3,5				
170	-	-	x2	-	-	1+1	5				
180	-	x3	-	-	-	2+1	3,5				
205	-	x2	x1	-	-	2+1	3,5				
240	-	-	-	x2	-	1+1	5		1422	2220	
255	-	-	x3	-	-	2+1			1060	2120	
270	-	-	-	x1	x1	1+1			1422	2120	
300	-	-	-	-	x2	1+1				2130	
360	-	-	-	x3	-	2+1					
390	-	-	-	x2	x1	2+1				2150	
450	-	-	-	-	x3	2+1			2180		
480	-	-	-	x4	-	2+2					
540	-	-	-	x2	x2	2+2					
600	-	-	-	-	x4	2+2			2190		
660	-	-	-	x3	x2	3+2					
750	-	-	-	-	x5	3+2					
810	-	-	-	x3	x3	3+3	250				
900	-	-	-	-	x6	3+3					

1.6 Left/right plate exchanger configuration

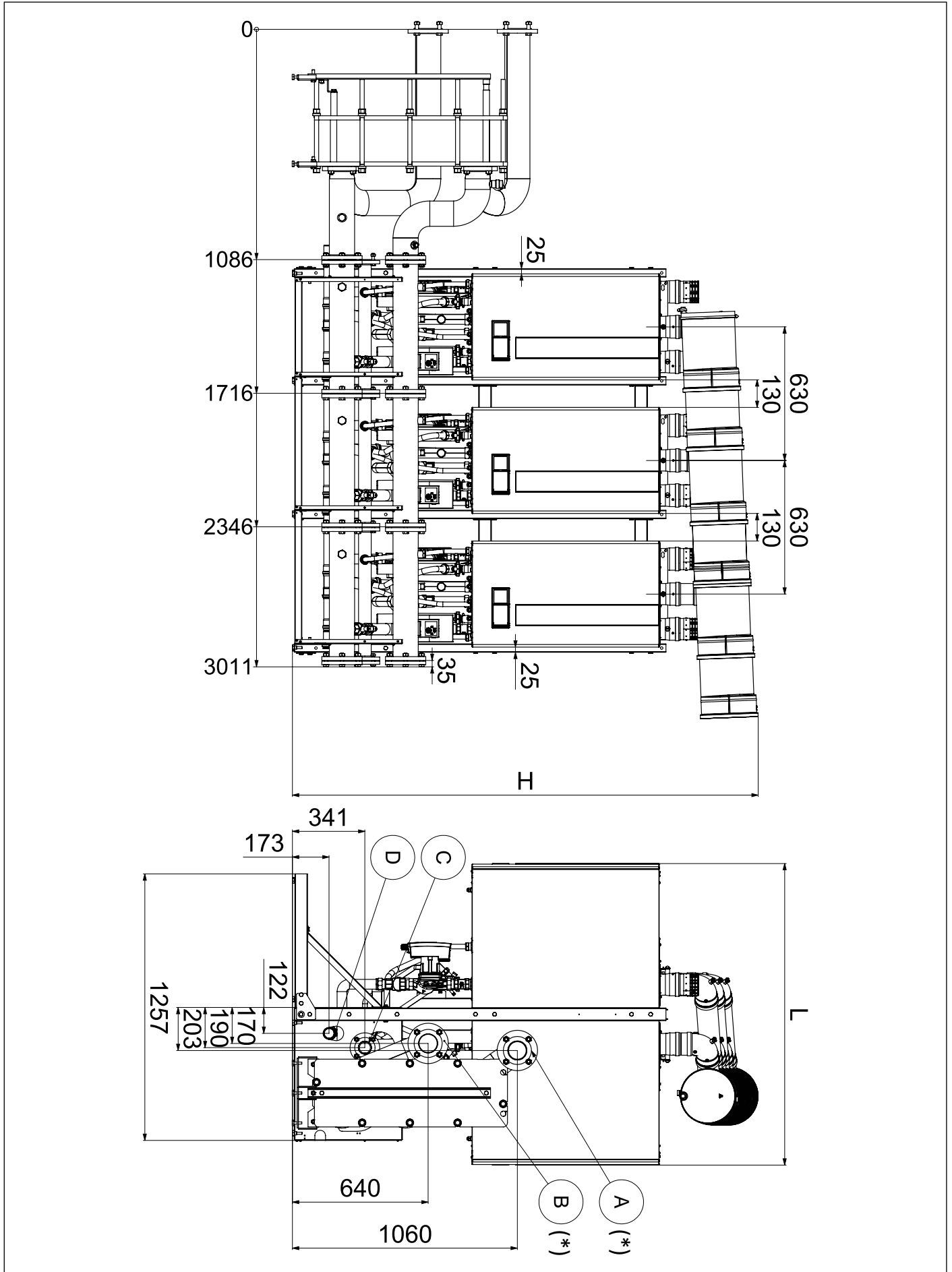


Fig. 11 Combination of left plate exchanger

Ref	Description
A	DN 80 PN 6 (*) flanged secondary circuit flow
B	DN 80 PN 6 (*) flanged secondary circuit return
C	DN 50 PN 6 flanged gas inlet
D	DN 50 condensate drain
(*)	ATTENTION: flow and return manifolds to be connected to the secondary circuit of the plate exchanger are optional

MODULAR GENERATOR MODEL	CH KR HEAT GENERATORS					CON-FIG.	Pmax AD-JUSTMENT VS	TMS	DI-MENSION L	DI-MENSION H	FLUE GAS VENT MIN. DIAMETER
	45	60	85	120	150						
-	-	-	-	-	-	[n+m]	bar	°C	mm	mm	mm
90	x2	-	-	-	-	1+1	3	110	1060	2200	200
120	-	x2	-	-	-	1+1	3,5				
145	-	x1	x1	-	-	1+1	3,5				
170	-	-	x2	-	-	1+1	5				
180	-	x3	-	-	-	2+1	3,5				
205	-	x2	x1	-	-	2+1	3,5				
240	-	-	-	x2	-	1+1	5		1422	2220	
255	-	-	x3	-	-	2+1			1060	2120	
270	-	-	-	x1	x1	1+1			1422	2120	
300	-	-	-	-	x2	1+1				2130	
360	-	-	-	x3	-	2+1					
390	-	-	-	x2	x1	2+1					
450	-	-	-	-	x3	2+1					
480	-	-	-	x4	-	2+2					
540	-	-	-	x2	x2	2+2					2150
600	-	-	-	-	x4	2+2				2180	
660	-	-	-	x3	x2	3+2					
750	-	-	-	-	x5	3+2					
810	-	-	-	x3	x3	3+3					
900	-	-	-	-	x6	3+3			2190	250	

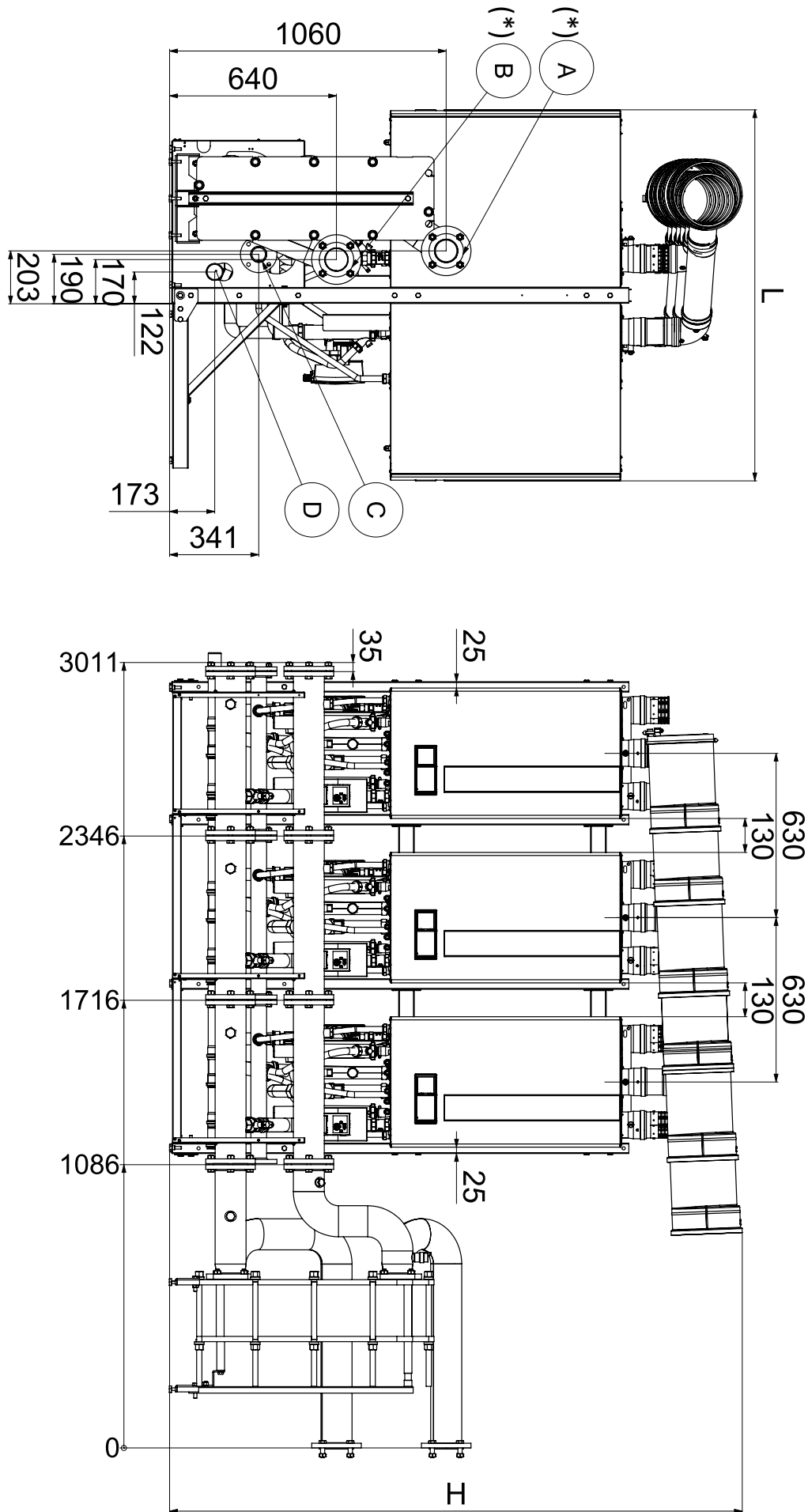
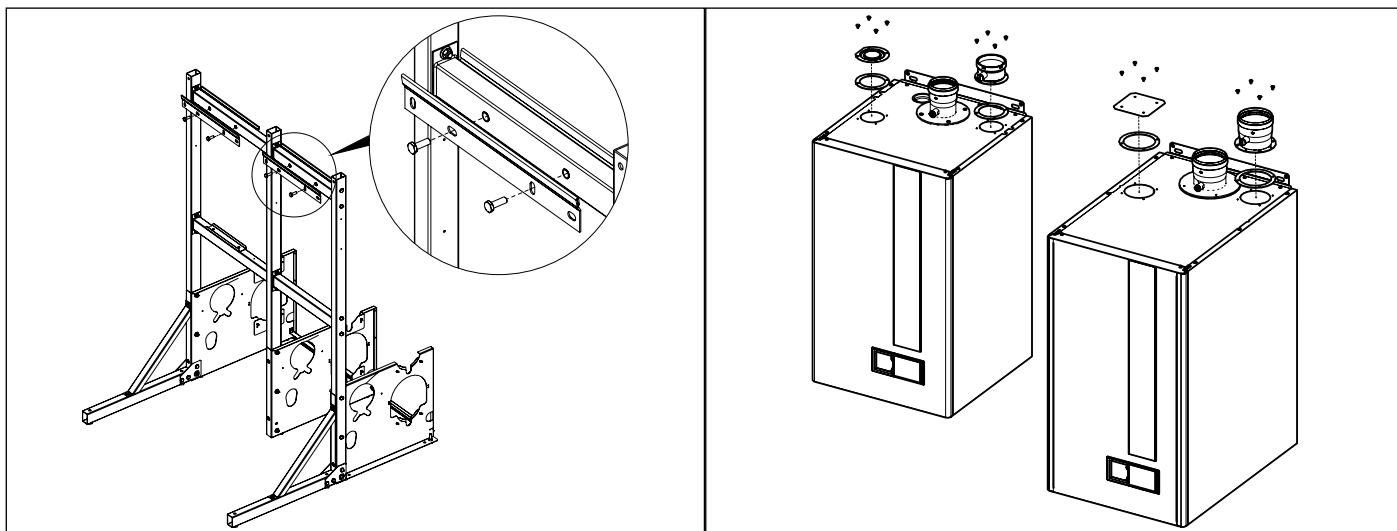


Fig. 12 Combination of right plate exchanger

Ref	Description
A	DN 80 PN 6 (*) flanged secondary circuit flow
B	DN 80 PN 6 (*) flanged secondary circuit return
C	DN 50 PN 6 flanged gas inlet
D	DN 50 condensate drain
(*)	ATTENTION: flow and return manifolds to be connected to the secondary circuit of the plate exchanger are optional

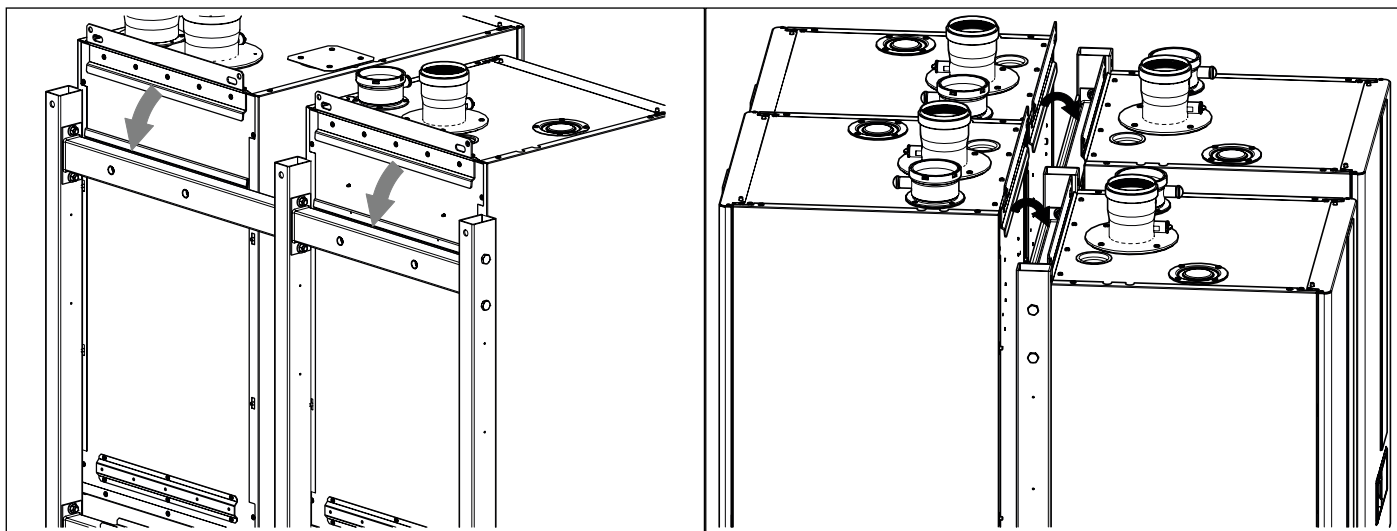
MODULAR GENERATOR MODEL	CH KR HEAT GENERATORS					CON-FIG.	Pmax AD-JUSTMENT VS	TMS	DI-MEN-SION L	DI-MEN-SION H	FLUE GAS VENT MIN. DIAMETER
	45	60	85	120	150						
-	-	-	-	-	-	[n+m]	bar	°C	mm	mm	mm
90	x2	-	-	-	-	1+1	3	110	1060	2200	200
120	-	x2	-	-	-	1+1	3,5				
145	-	x1	x1	-	-	1+1	3,5				
170	-	-	x2	-	-	1+1	5				
180	-	x3	-	-	-	2+1	3,5				
205	-	x2	x1	-	-	2+1	3,5				
240	-	-	-	x2	-	1+1			1422	2220	
255	-	-	x3	-	-	2+1			1060		
270	-	-	-	x1	x1	1+1	5		1422	2120	
300	-	-	-	-	x2	1+1					
360	-	-	-	x3	-	2+1					
390	-	-	-	x2	x1	2+1					
450	-	-	-	-	x3	2+1					
480	-	-	-	x4	-	2+2					
540	-	-	-	x2	x2	2+2					
600	-	-	-	-	x4	2+2					
660	-	-	-	x3	x2	3+2					
750	-	-	-	-	x5	3+2					
810	-	-	-	x3	x3	3+3					
900	-	-	-	-	x6	3+3					
									2180		
									2190		

1.7 Positioning of generators on the frame

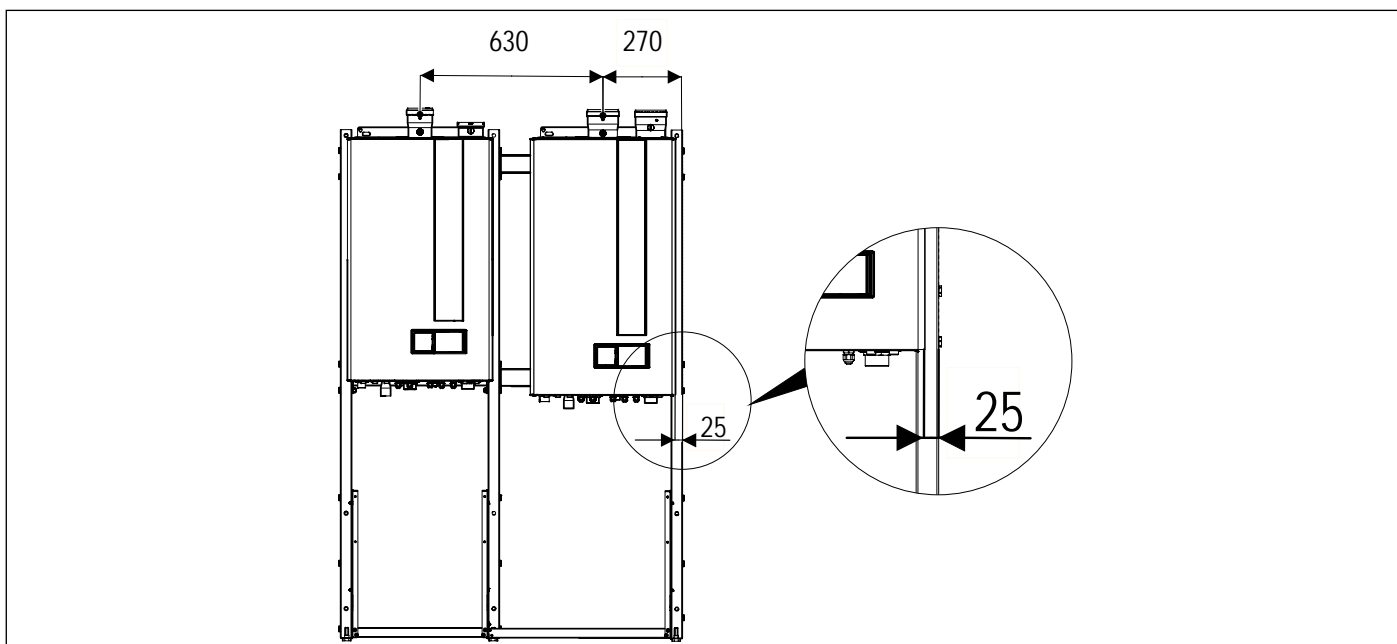


Install boiler supporting brackets on frame back side using screws.

Fit the vent stub pipes and the relevant flue gas caps on all generators, as shown in the figure.

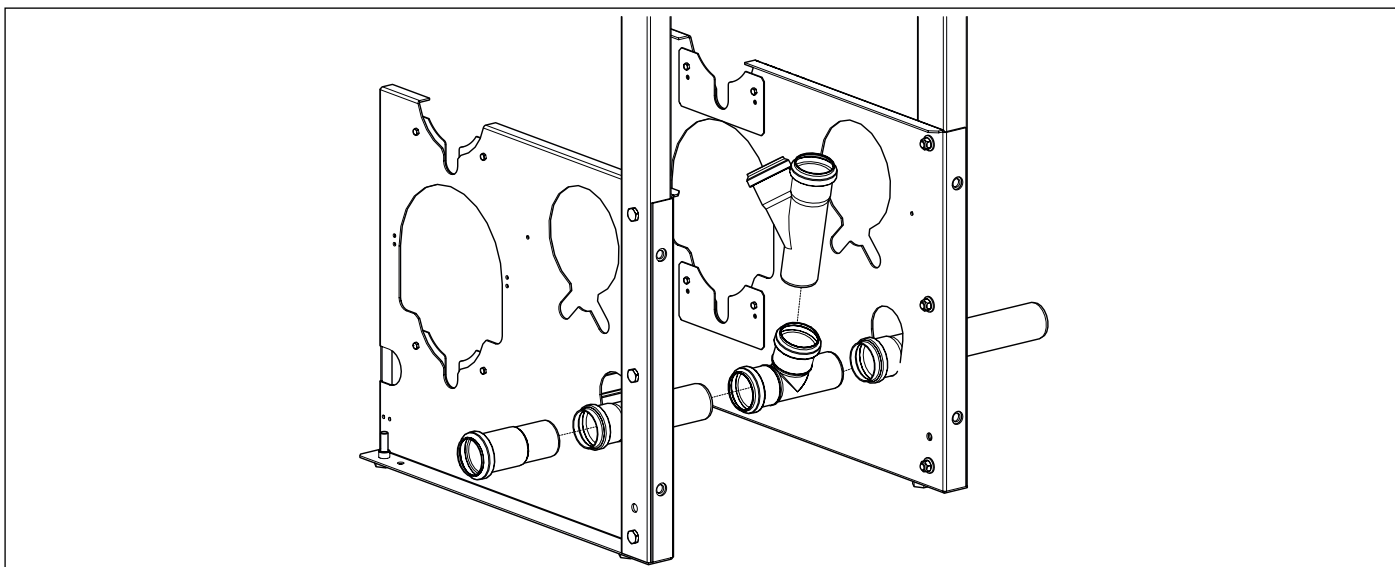


Fasten the generators to the rack as shown in the figure.

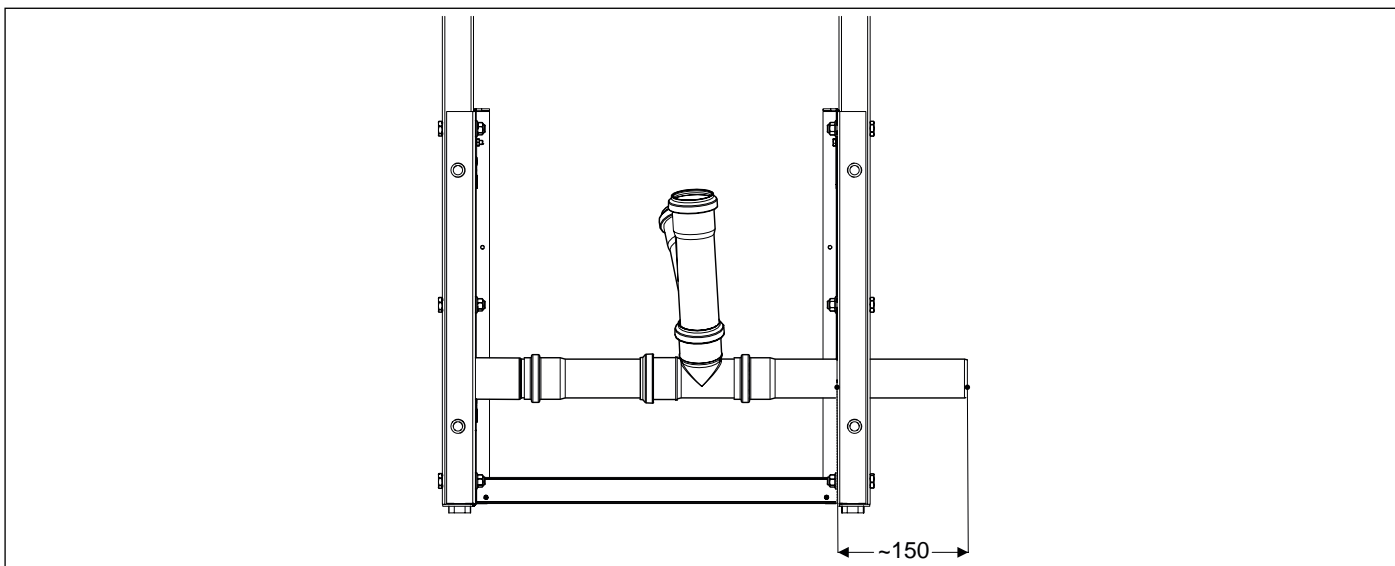


Check that the two generators are positioned on the rack according to the values indicated in the figure.

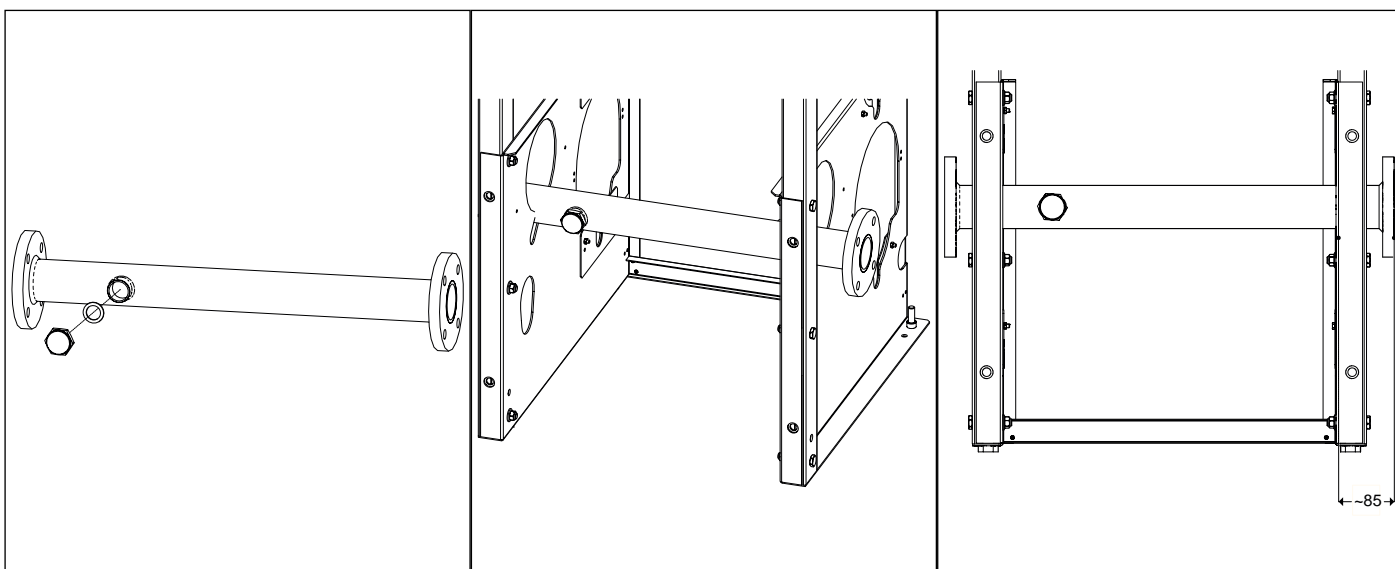
1.8 Assembling the hydraulic and gas components of the head module



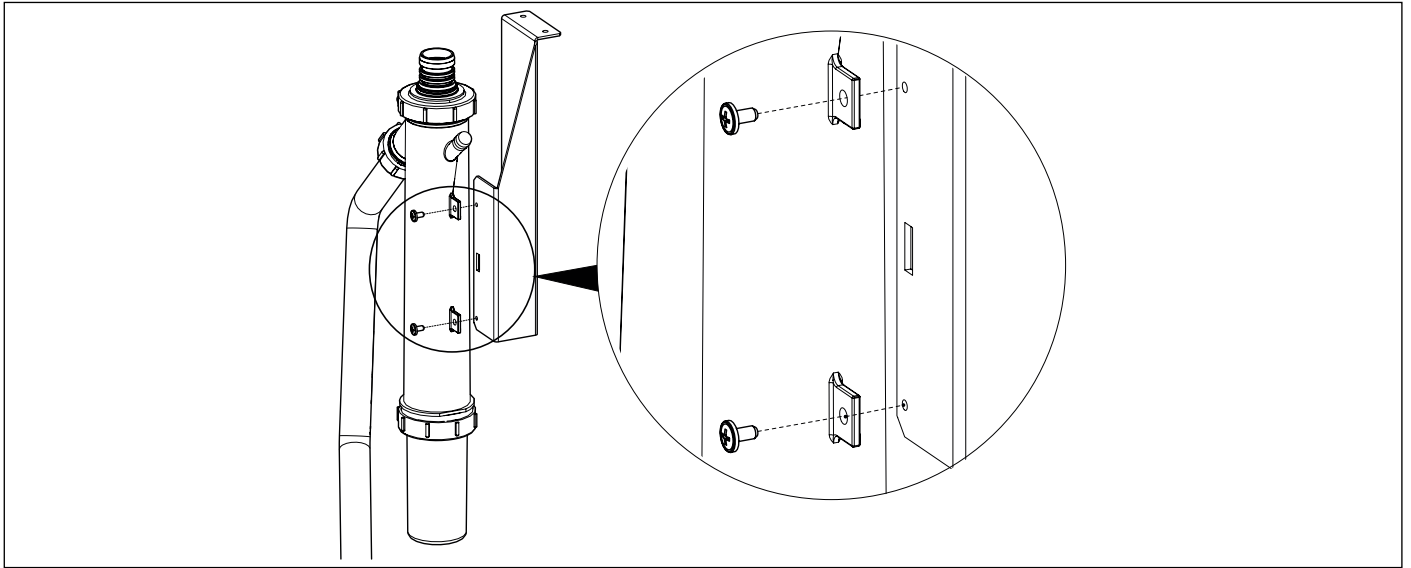
Assemble the condensate drain following the instructions in the figure above.



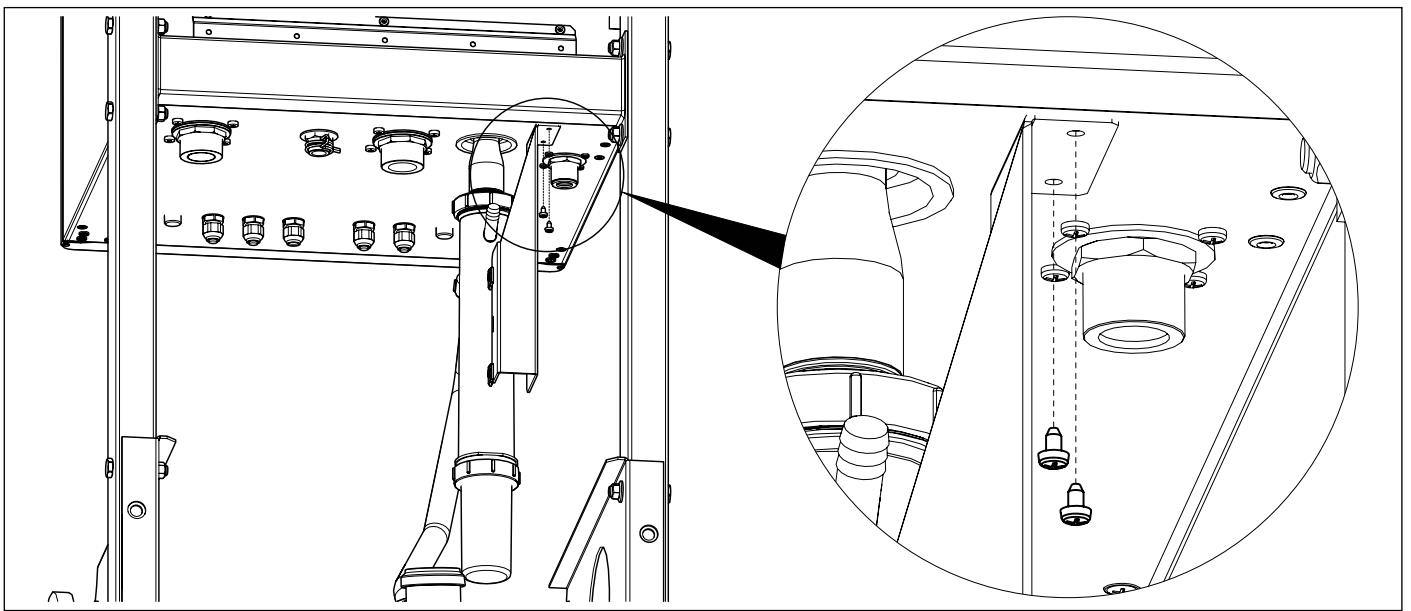
Check that the condensate drain is approximately positioned according to the value indicated in the figure.



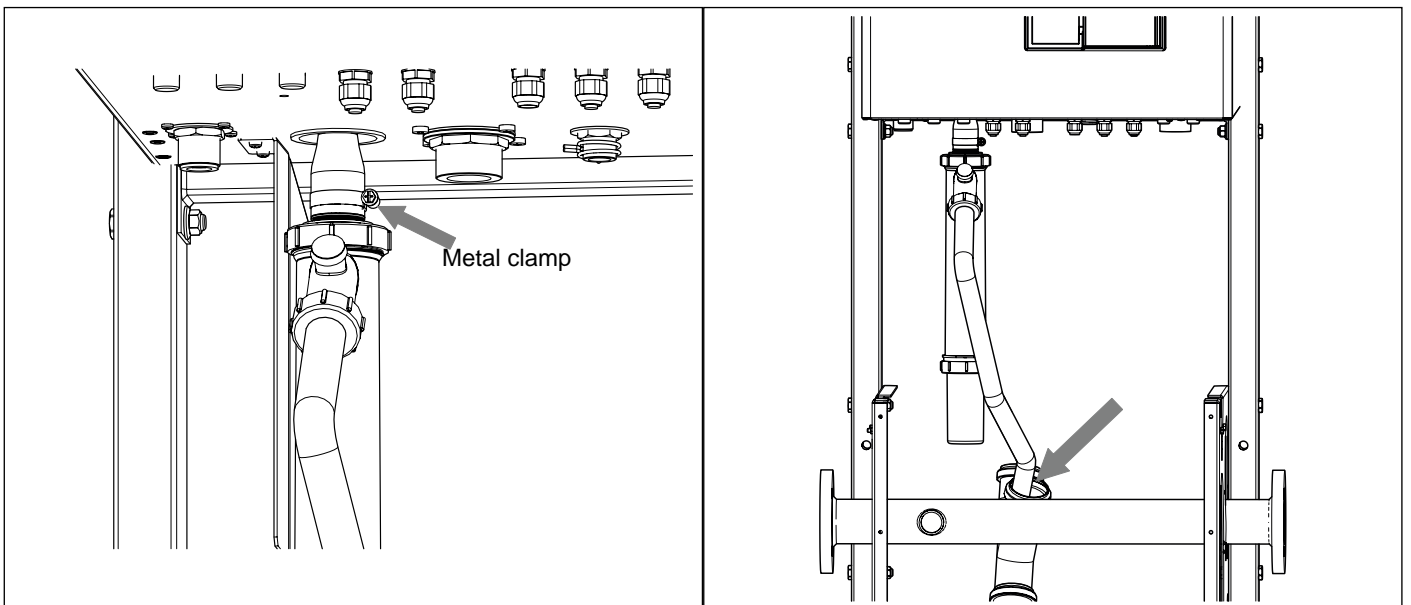
Fasten the cap to the gas collector using the gasket supplied. Position the gas collector as shown in the figure above. Check that the gas collector is approximately positioned according to the value indicated in the figure.



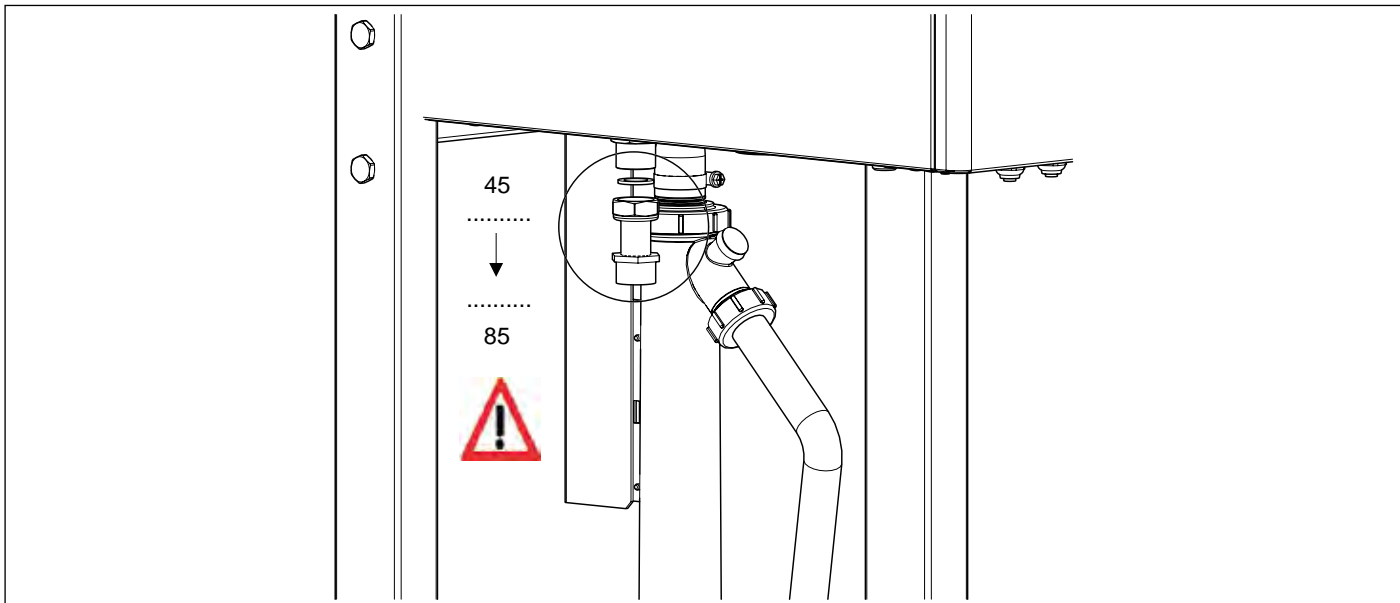
Using screws, fasten the bracket to the condensate trap.



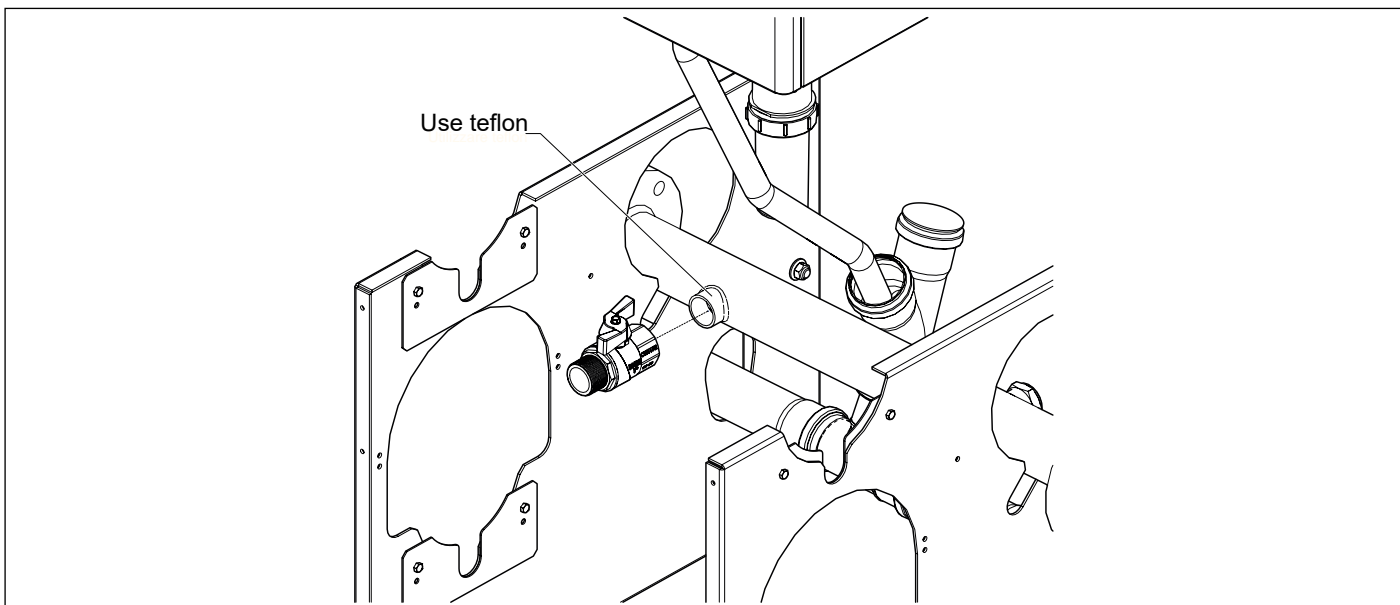
Using screws, fasten the bracket with the trap to the lower part of the boiler as shown in the figure.



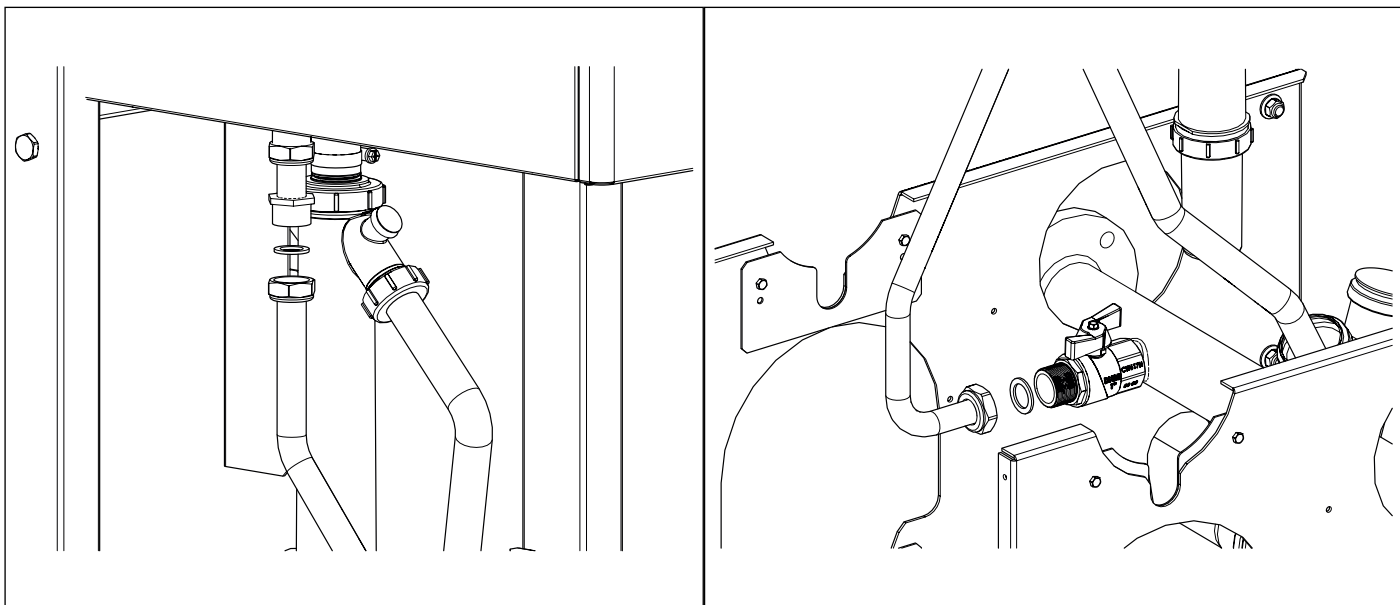
Fasten the trap with the metal clamp as shown in the figure. Connect the trap drain to the drain pipe.



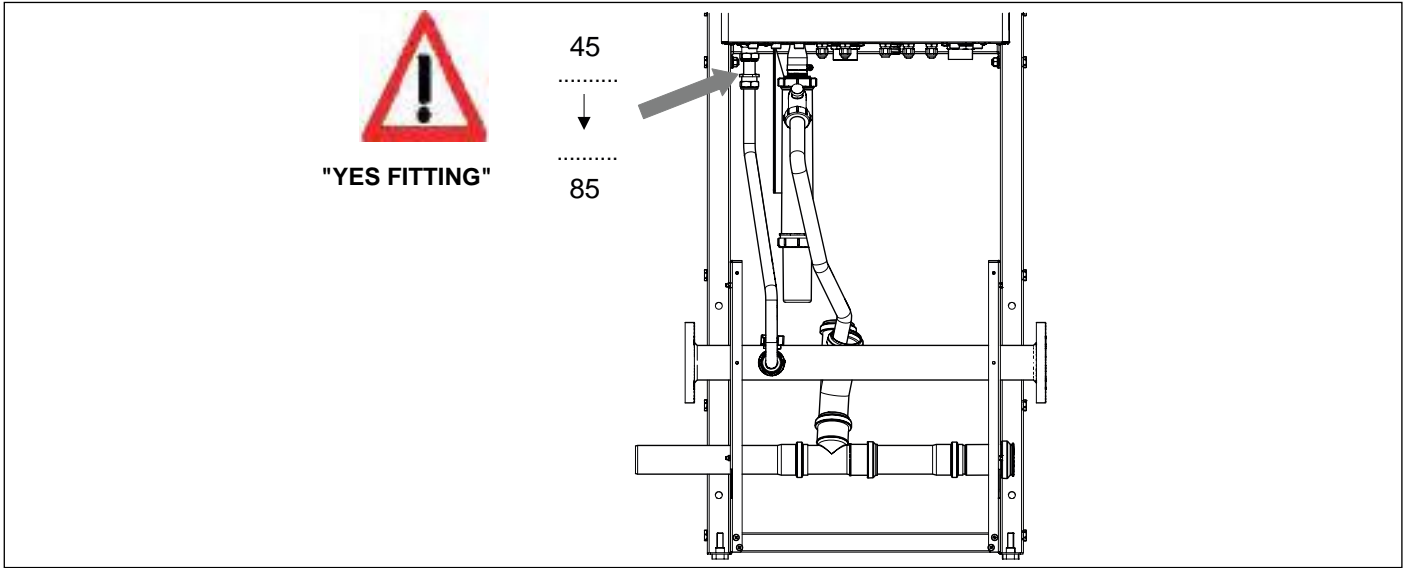
Fit the gasket and the gas fitting only for boiler models from 45 to 85.



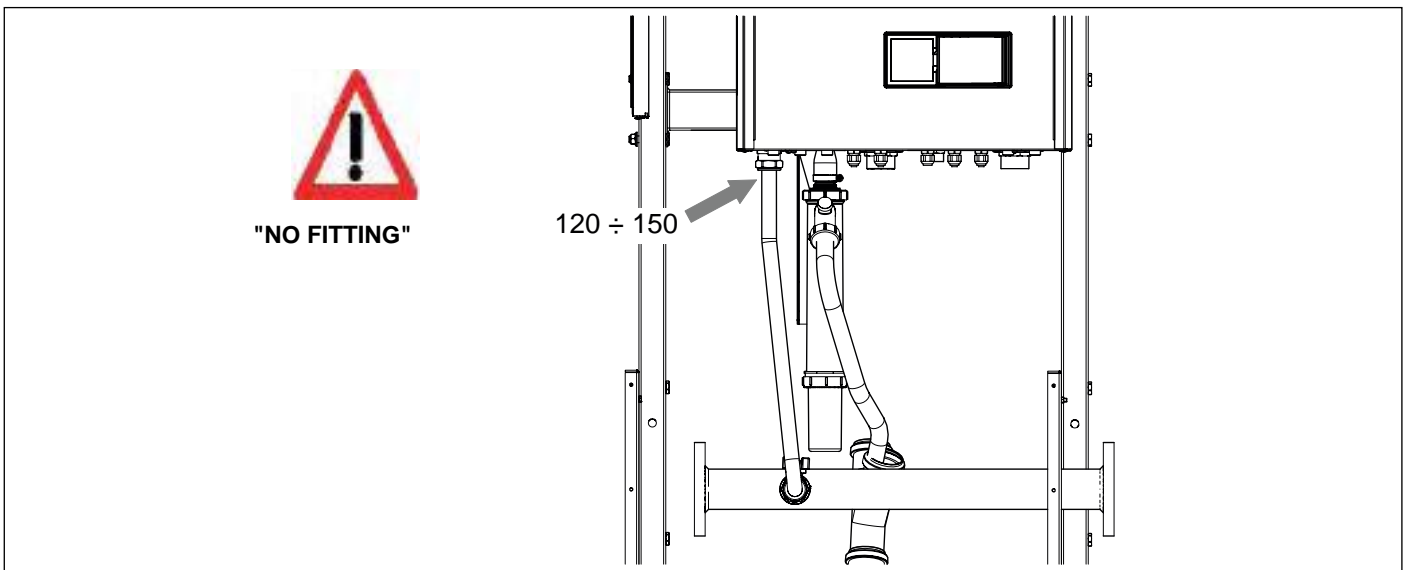
Fit the gas tap.



Fasten the gas pipe by placing the gaskets supplied in-between.

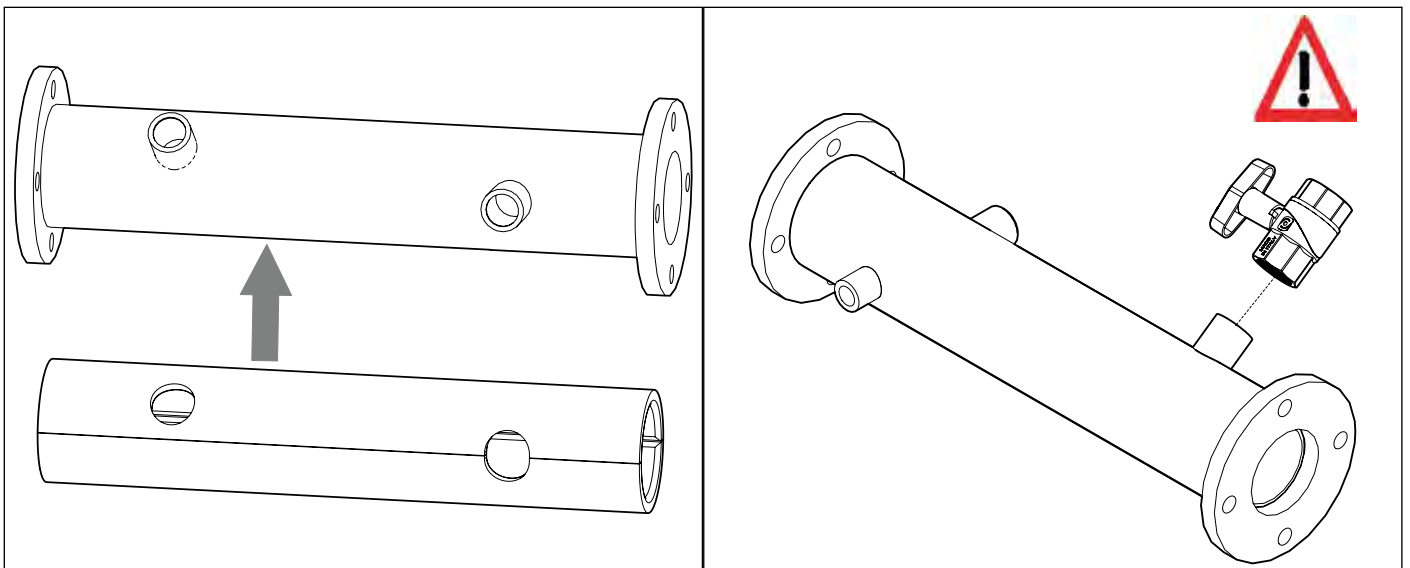


Fitting the gas pipe in case of boiler models from 45 to 85.

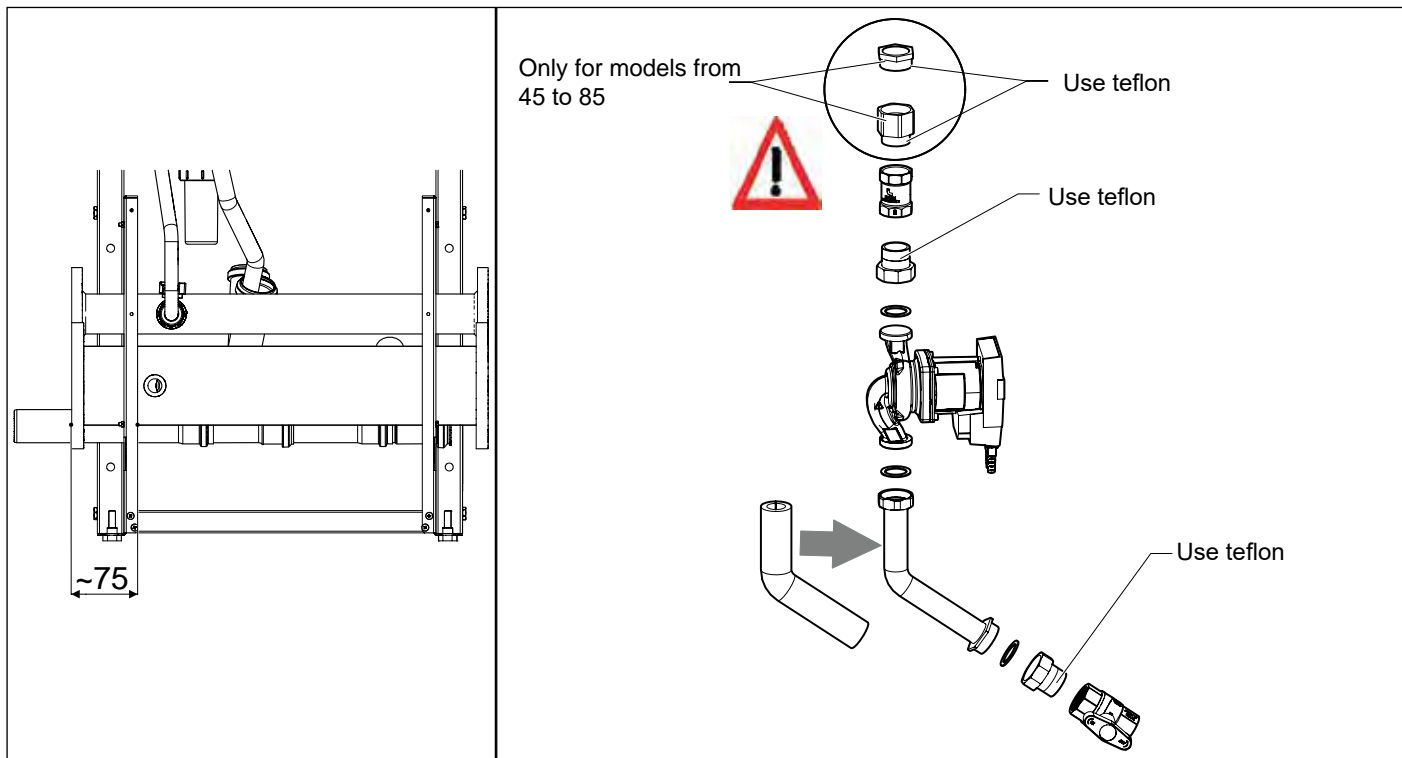


Fitting the gas pipe in case of models from 120 to 150.

In case of boilers models from 120 to 150, it is not necessary to install the gas fitting.



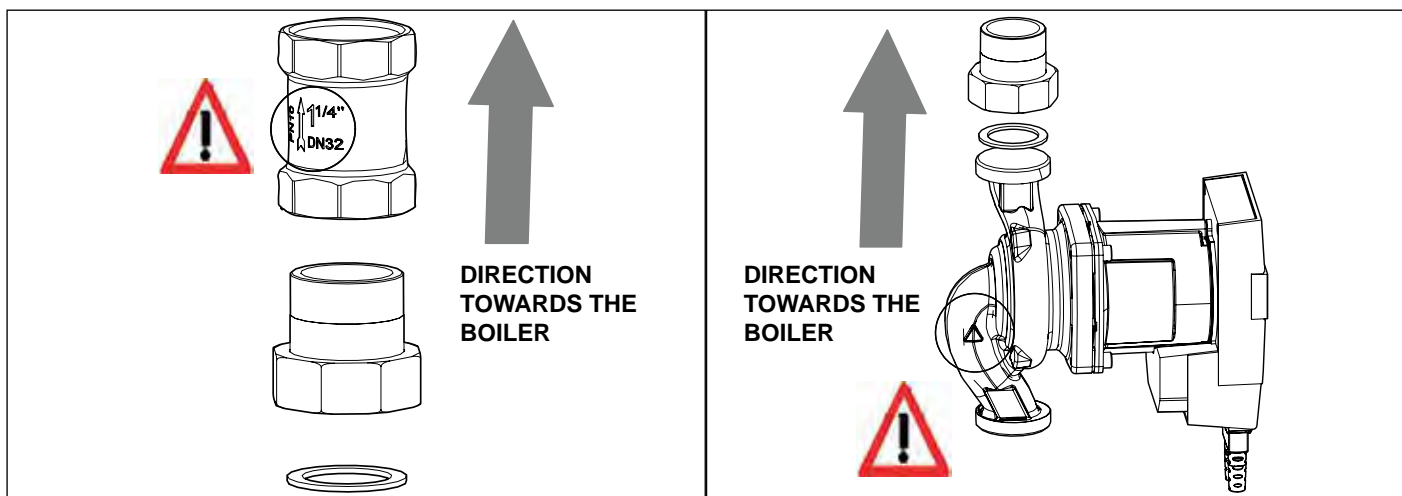
Fasten the insulating material to the return collector.
Fix the tap on the return collector before positioning it on the structure.



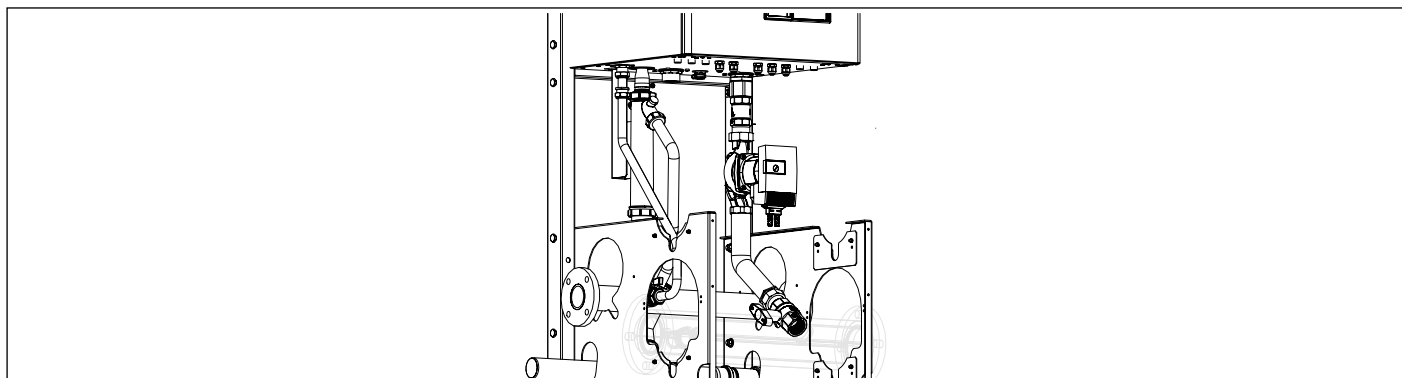
Check that the return collector is approximately positioned according to the value indicated in the figure.

 **WARNING**

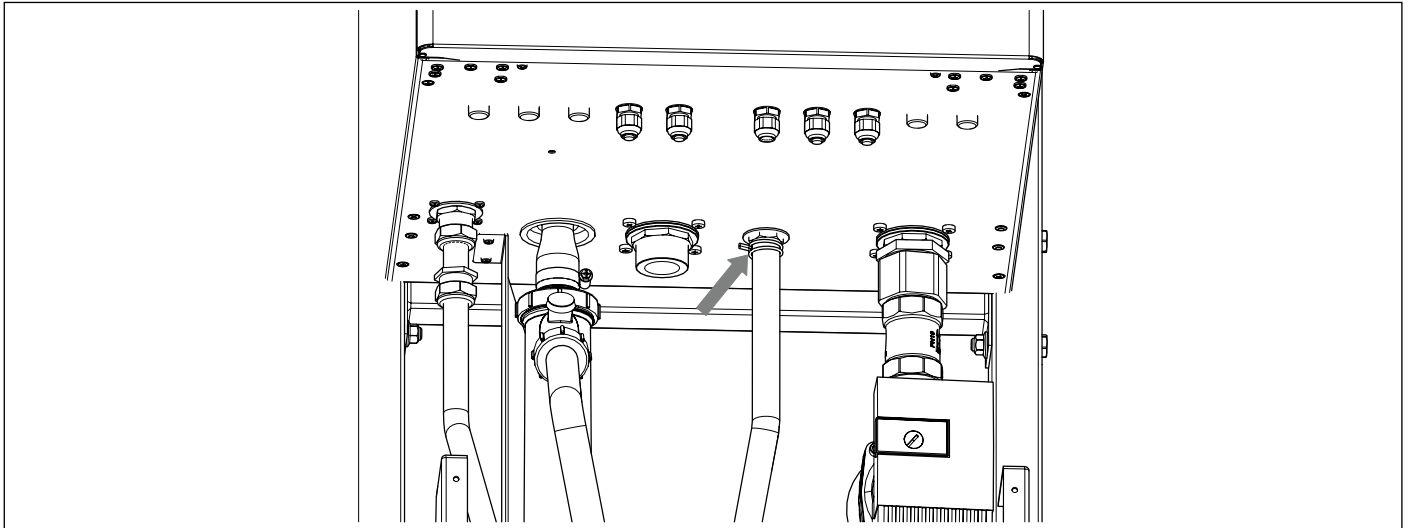
For 120 and 150 boiler models: before mounting the pump under the boiler it is necessary to mount the supplied wiring to the pump.



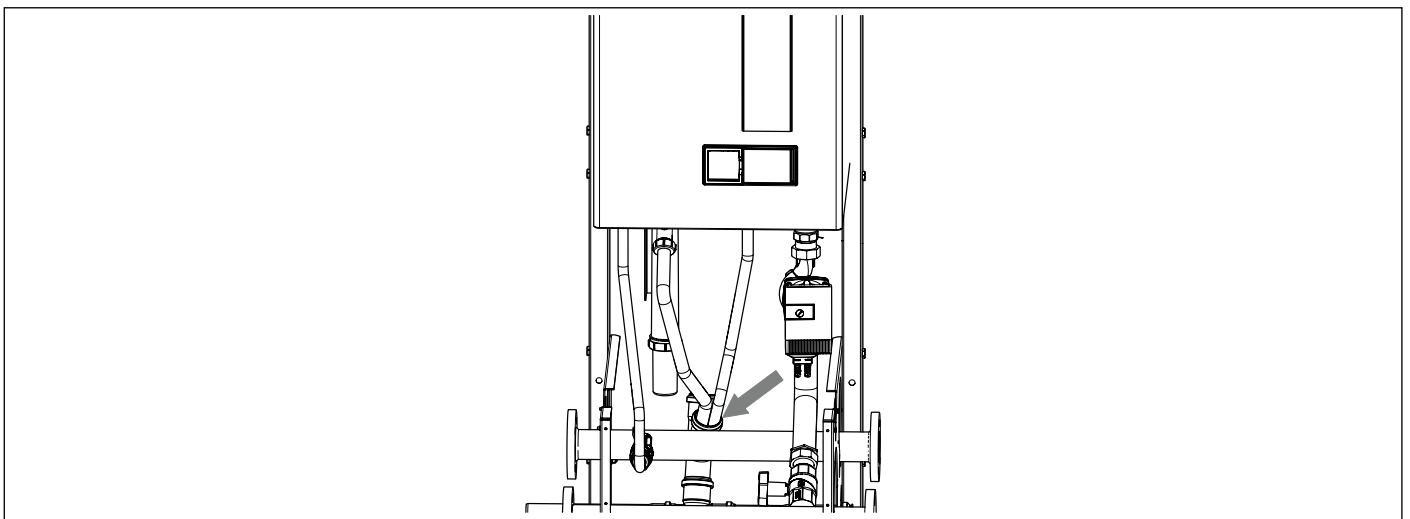
Fasten the components of the hydraulic part paying attention to the installation direction of the non return valve and the installation direction of the circulation pump.



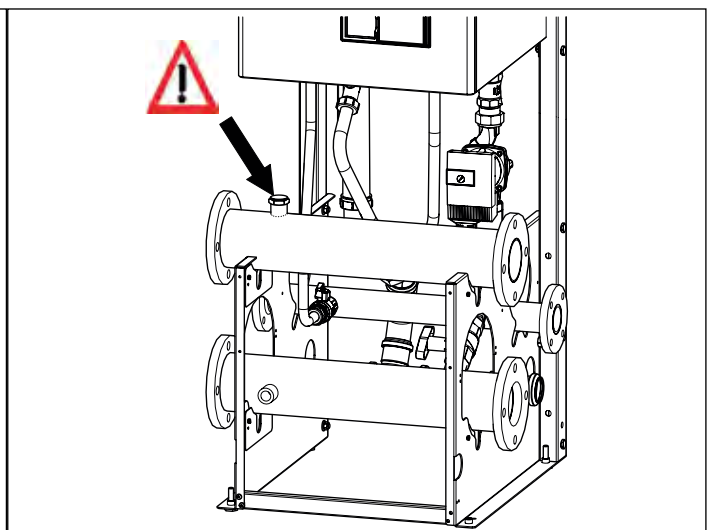
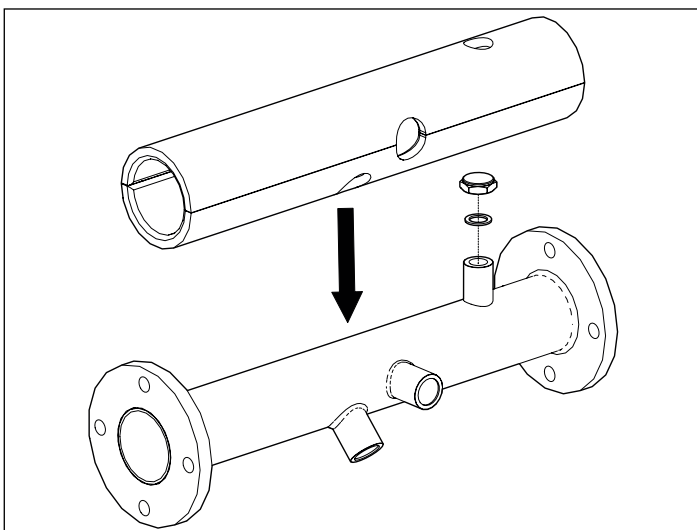
Fasten the hydraulic components between the boiler and the return collector.



Using a clip, fasten the safety valve drain pipe to the boiler.



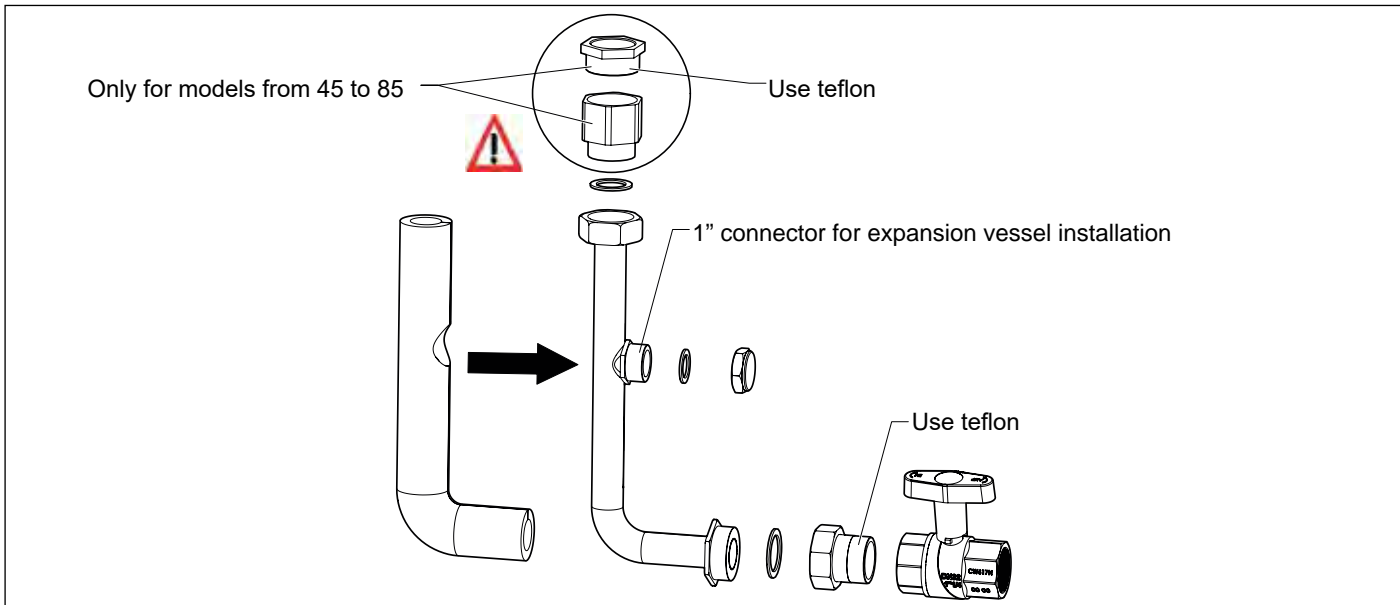
Insert the pipe in the condensate drain branch.



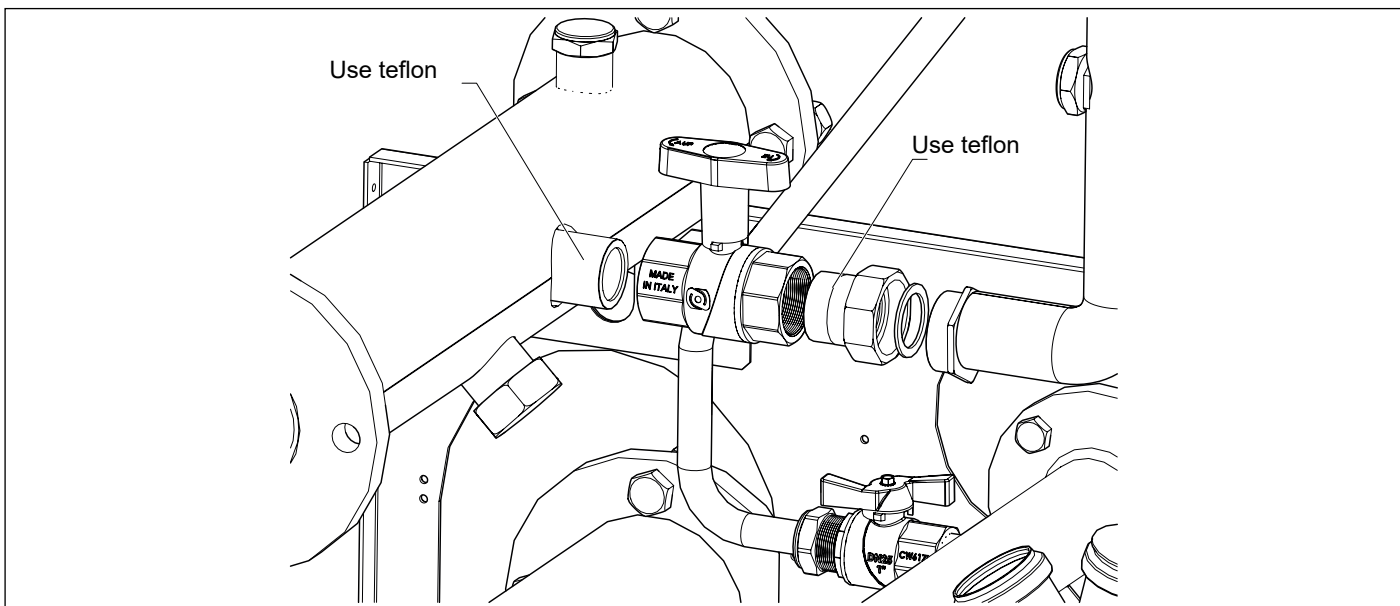
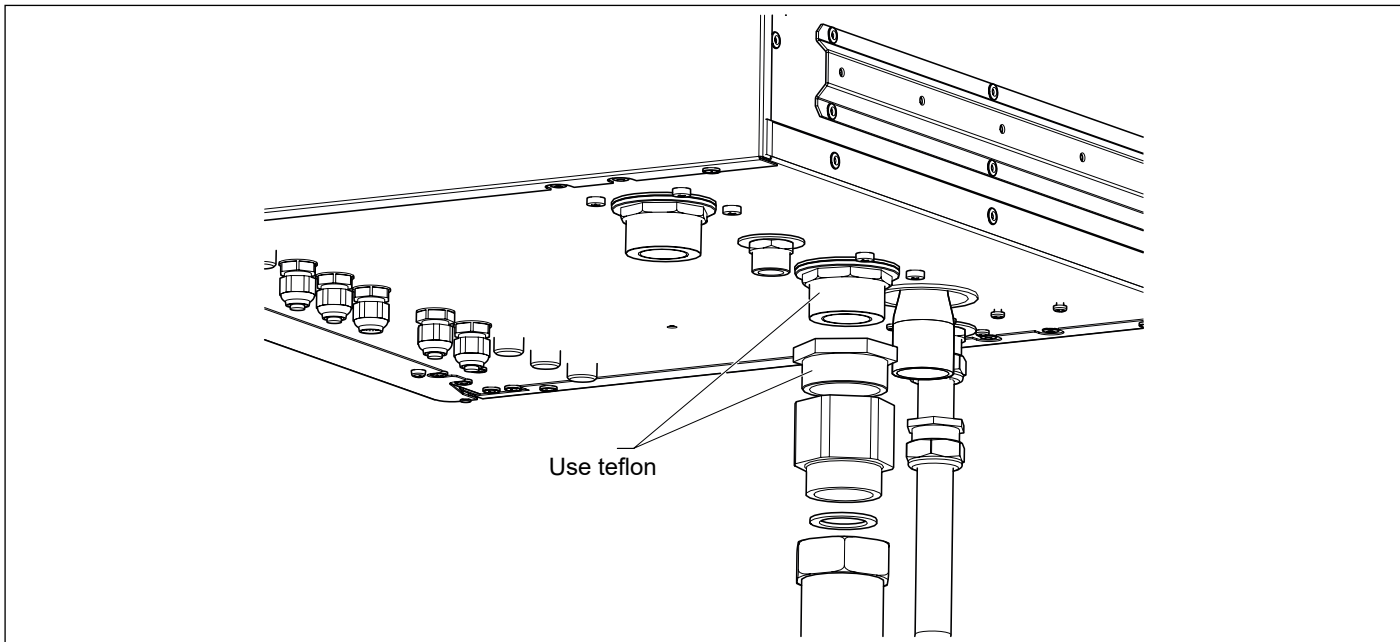
Fasten the insulating material and the cap to the flow collector.
 Place the flow collector in the position shown in the figure.
 The direction does not change according to the expansion direction of the right or left cascade.

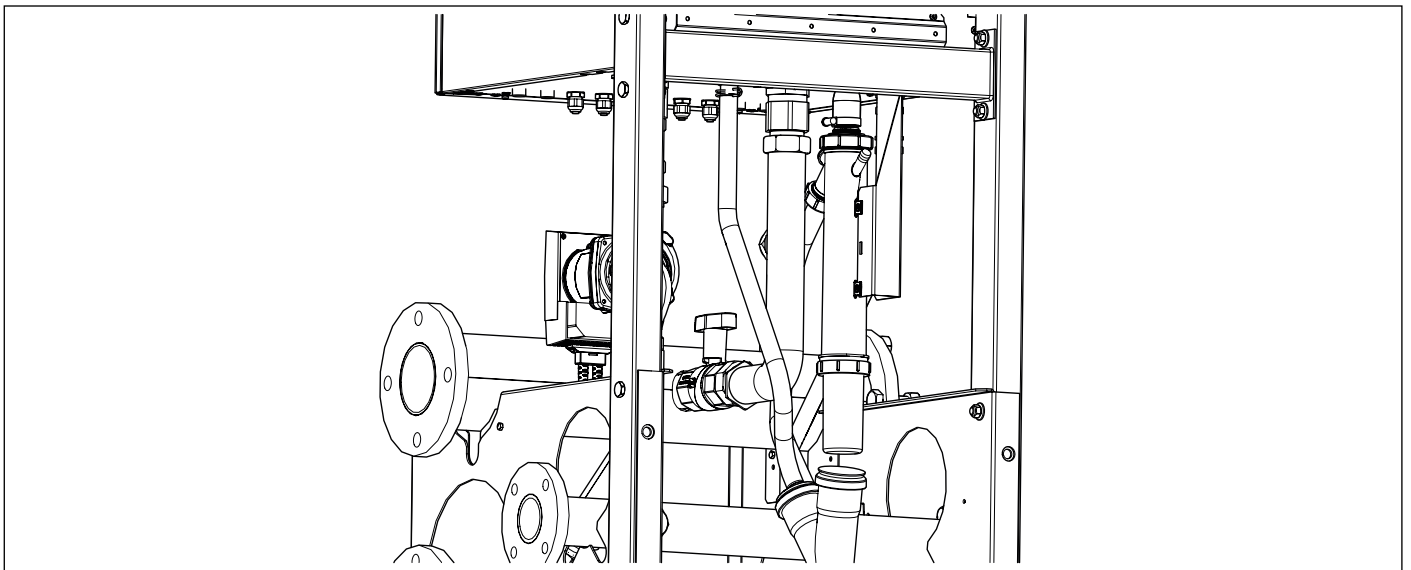
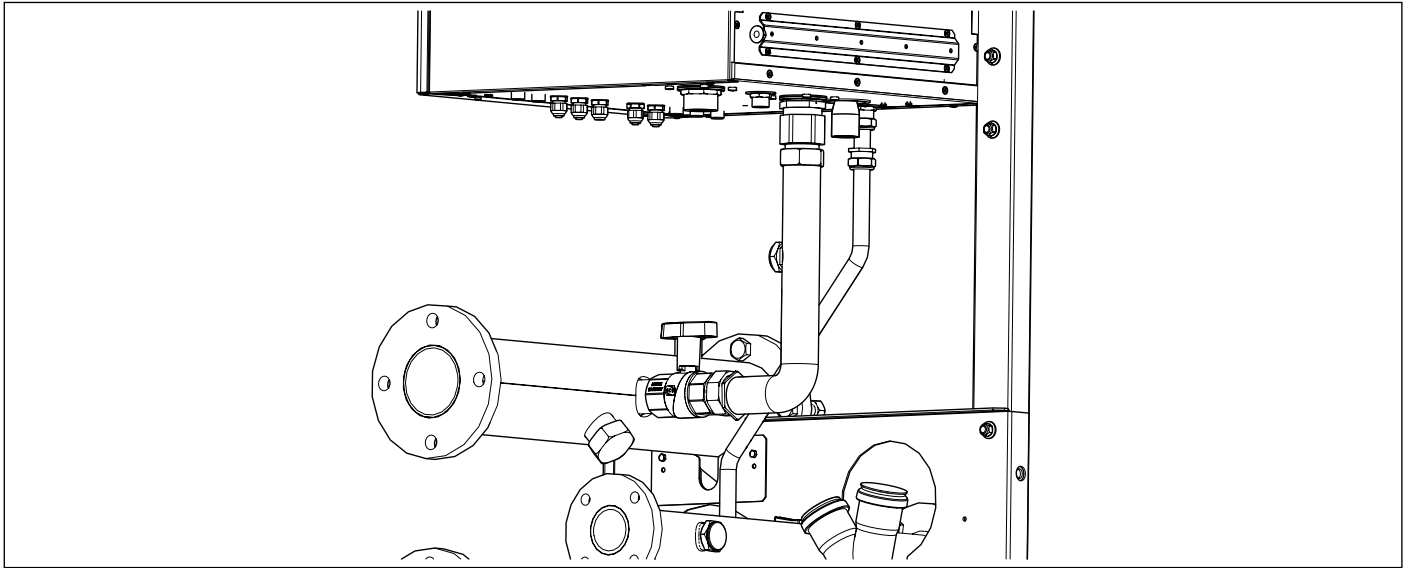
 **WARNING**

1" fitting for connection of expansion tank and/or system filler/drain cock. In case of hydraulic separator installation, the drain can be made on the pre-arranged connection on the hydraulic separator.

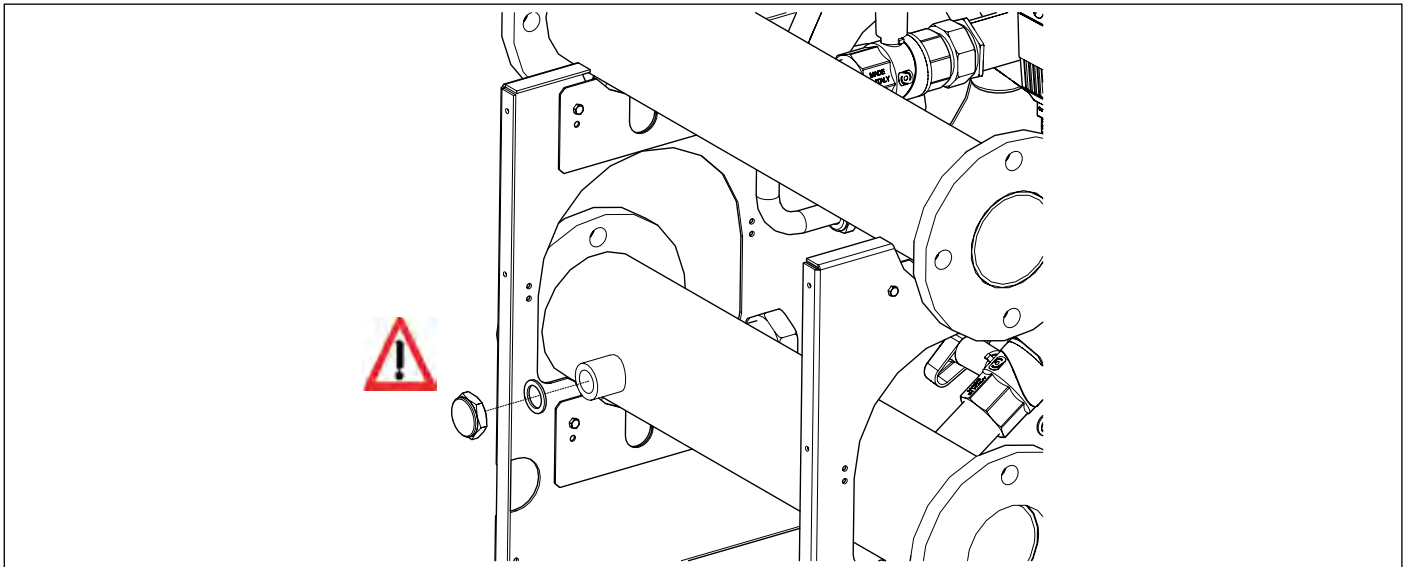


Fasten the components shown in the figure.





Fit the just-assembled unit to the boiler and the flow collector.



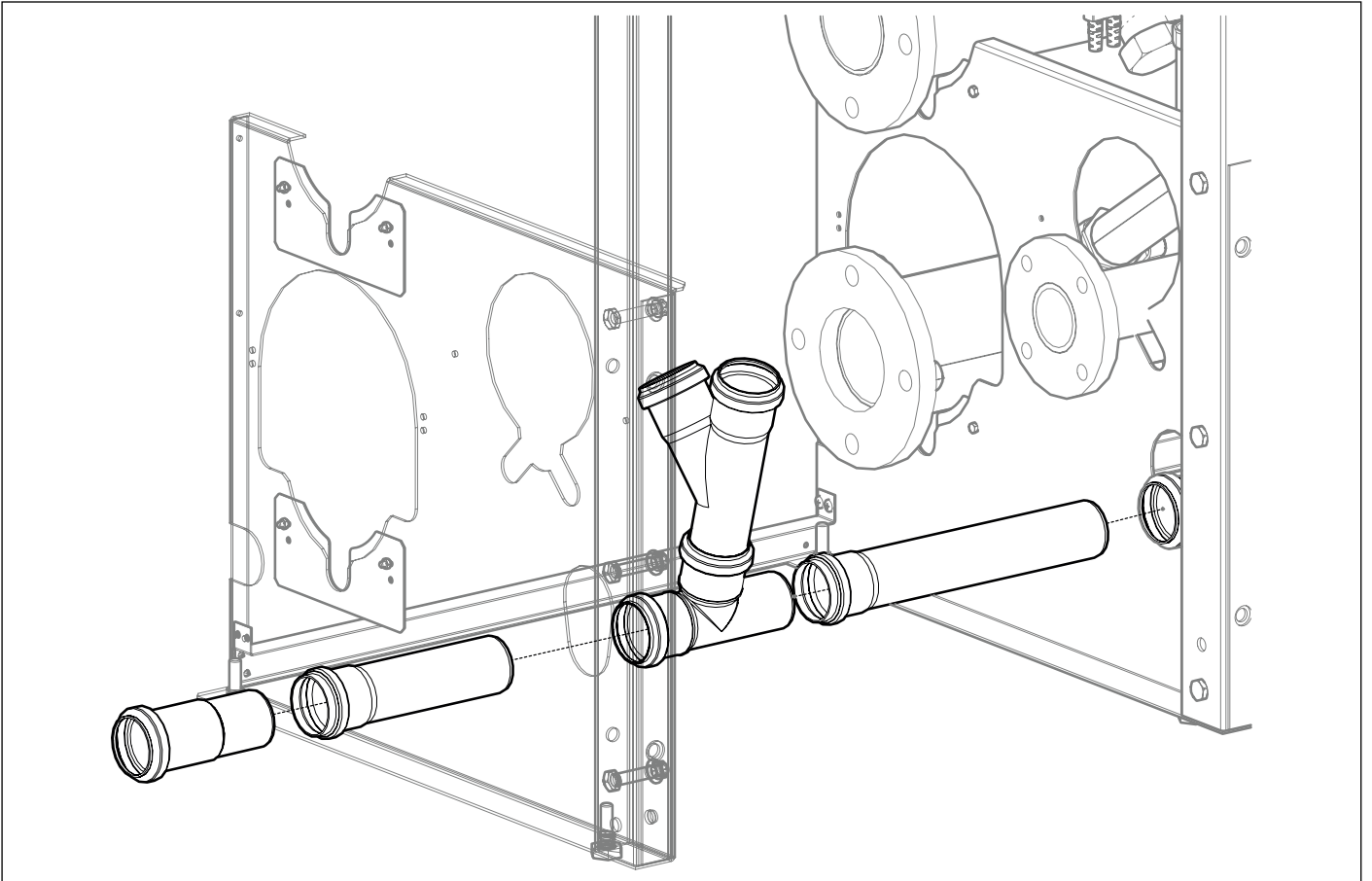
Fasten the cap to the return collector.



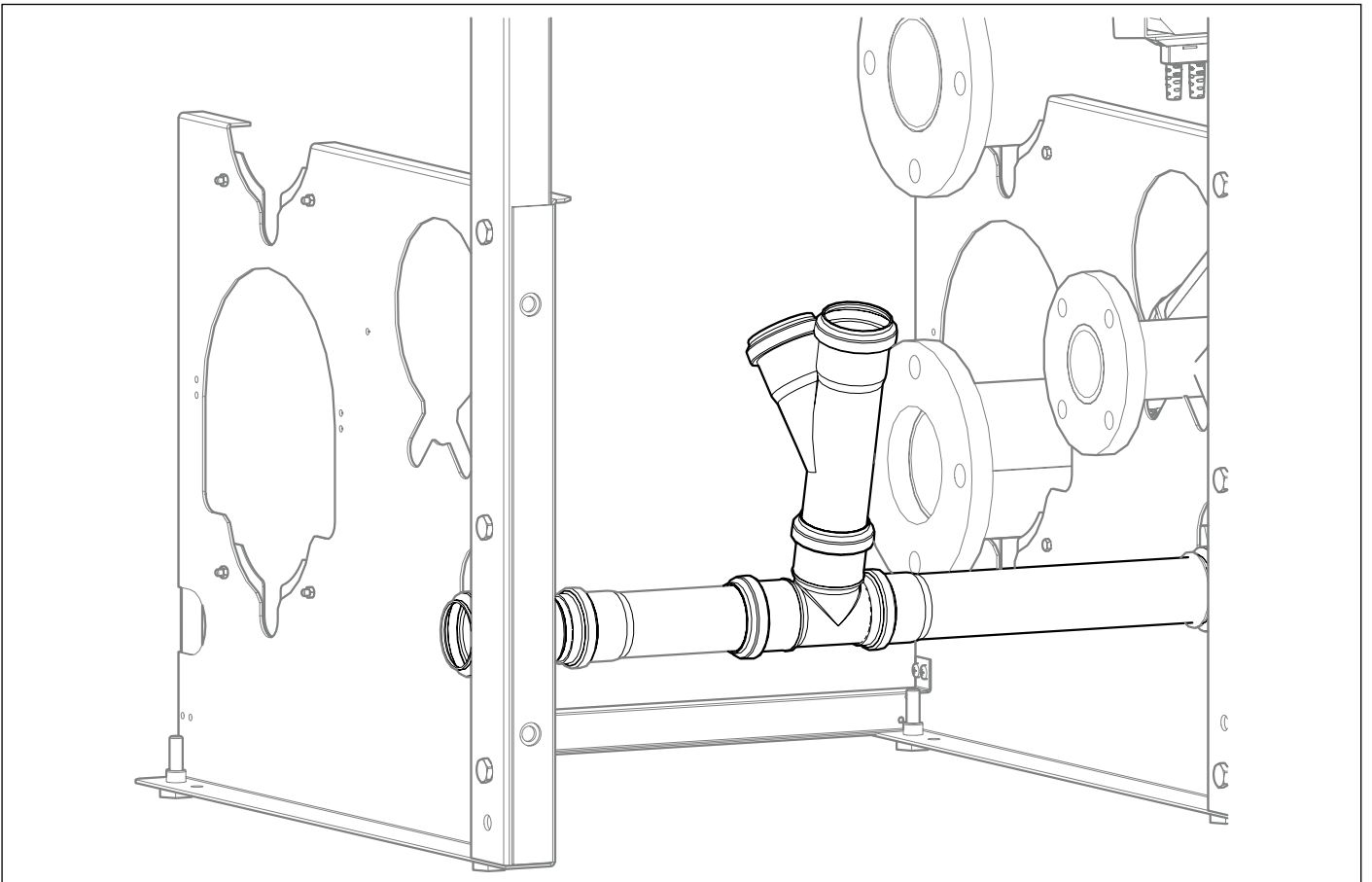
WARNING

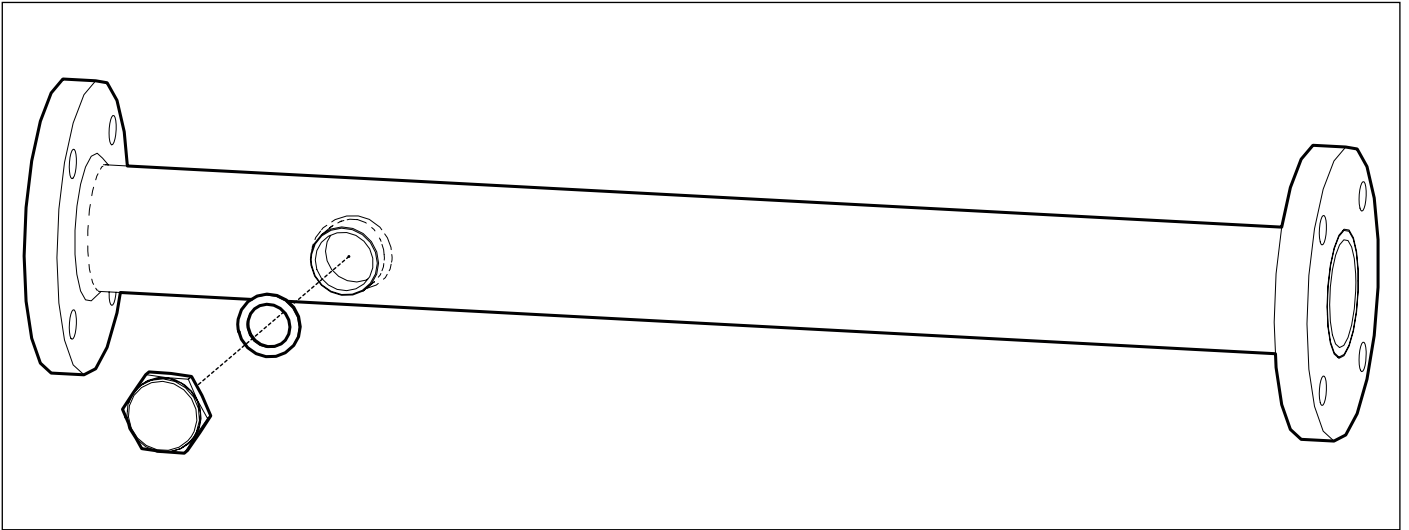
Fitting for connection of expansion tank and/or filler/drain cock. In case of hydraulic separator installation, the drain can be made on the pre-arranged connection on the hydraulic separator.

1.9 Assembling the hydraulic and gas components of the expansion module

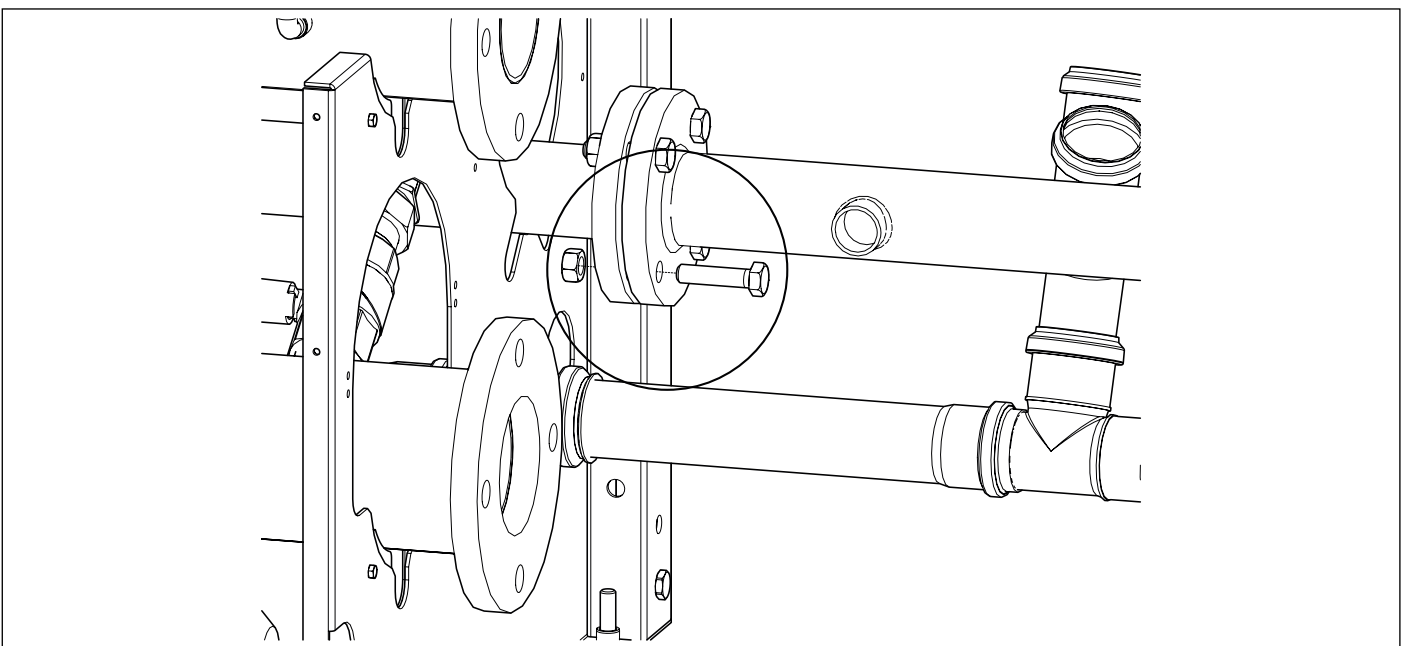
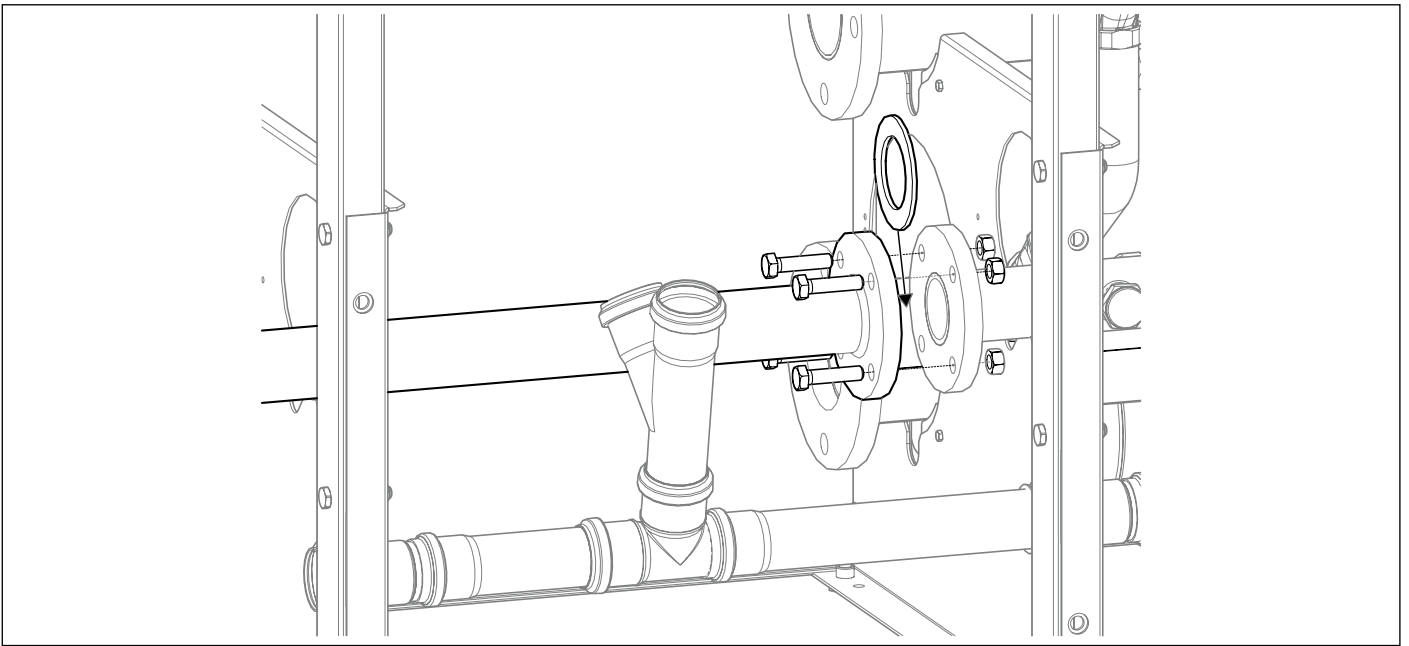


Assemble the condensate drain following the instructions in the figure above.



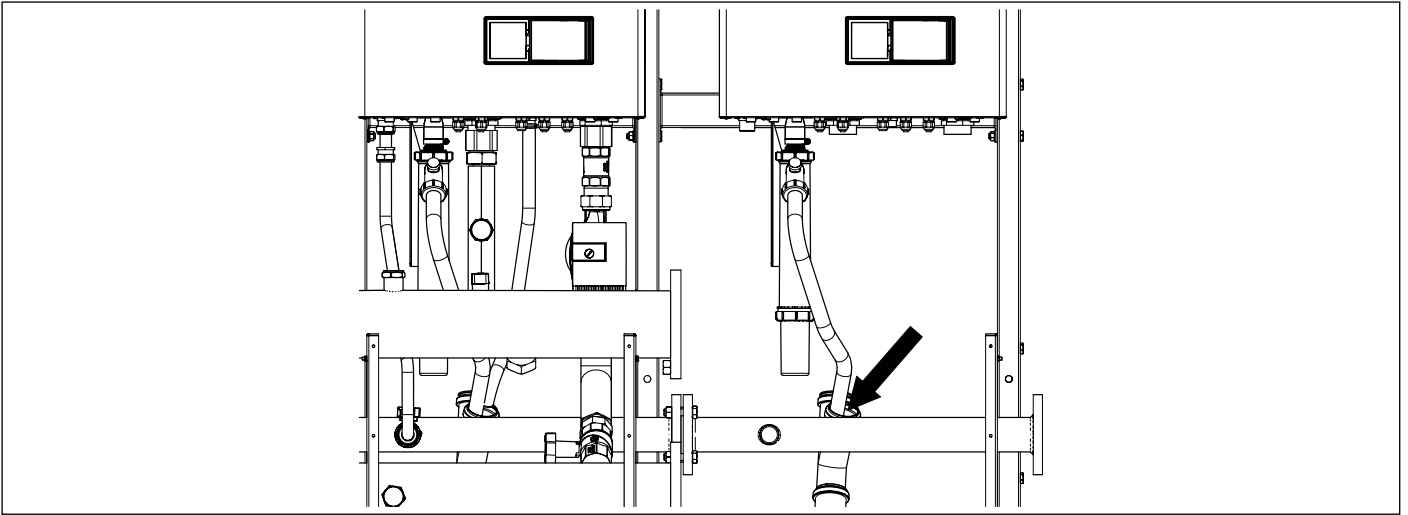


Fasten the cap to the gas collector with the gasket supplied.

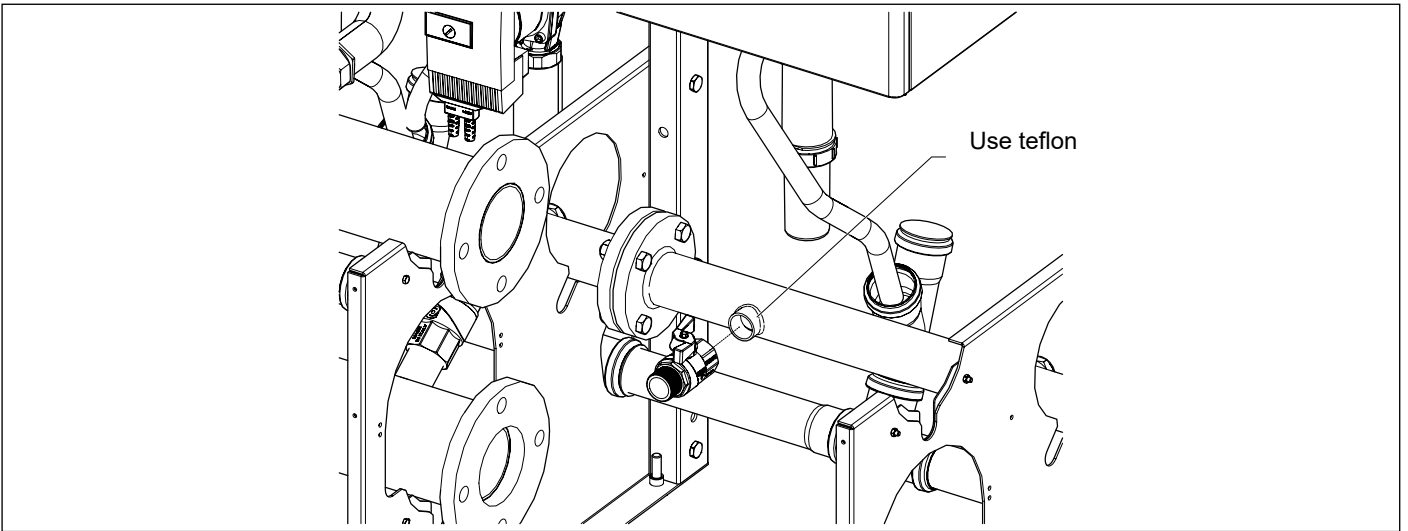


Fasten the gas collector with screws and nuts by placing the gasket between the two collectors.

Fit the trap on the boiler as described on page 26.

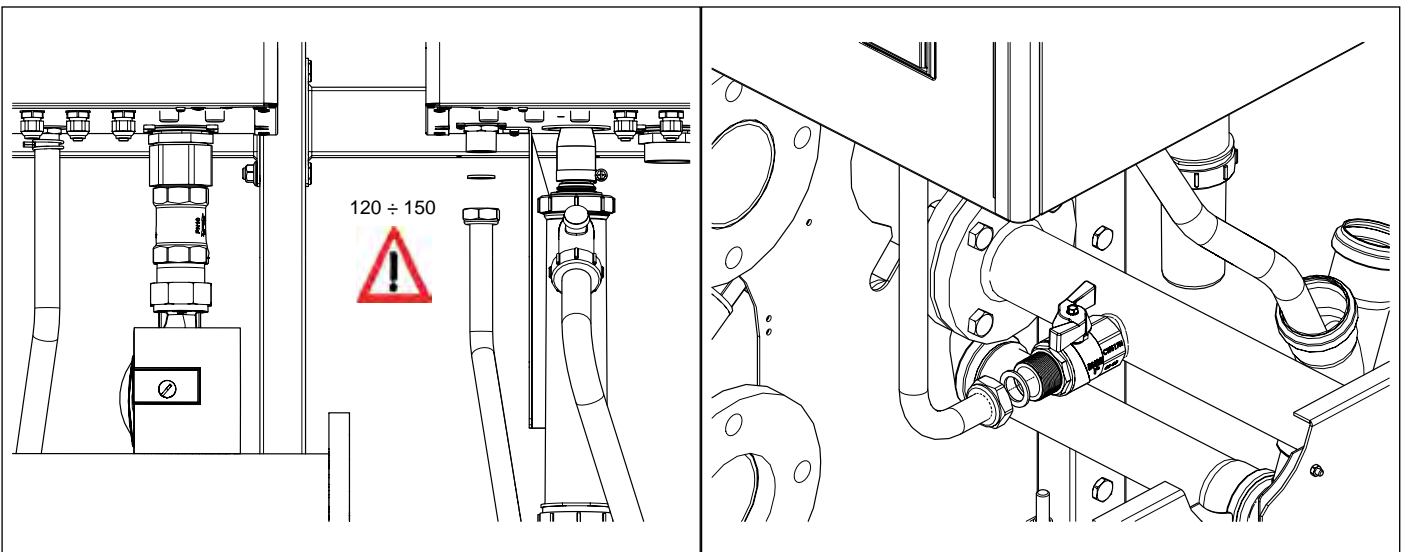


Connect the boiler condensate drain to the drain pipe.



Fit the gas tap.

The fitting operations of an hydraulic unit for 120 - 150 boiler model are described below. If a boiler with output up to 85 is installed, refer to the figures above.

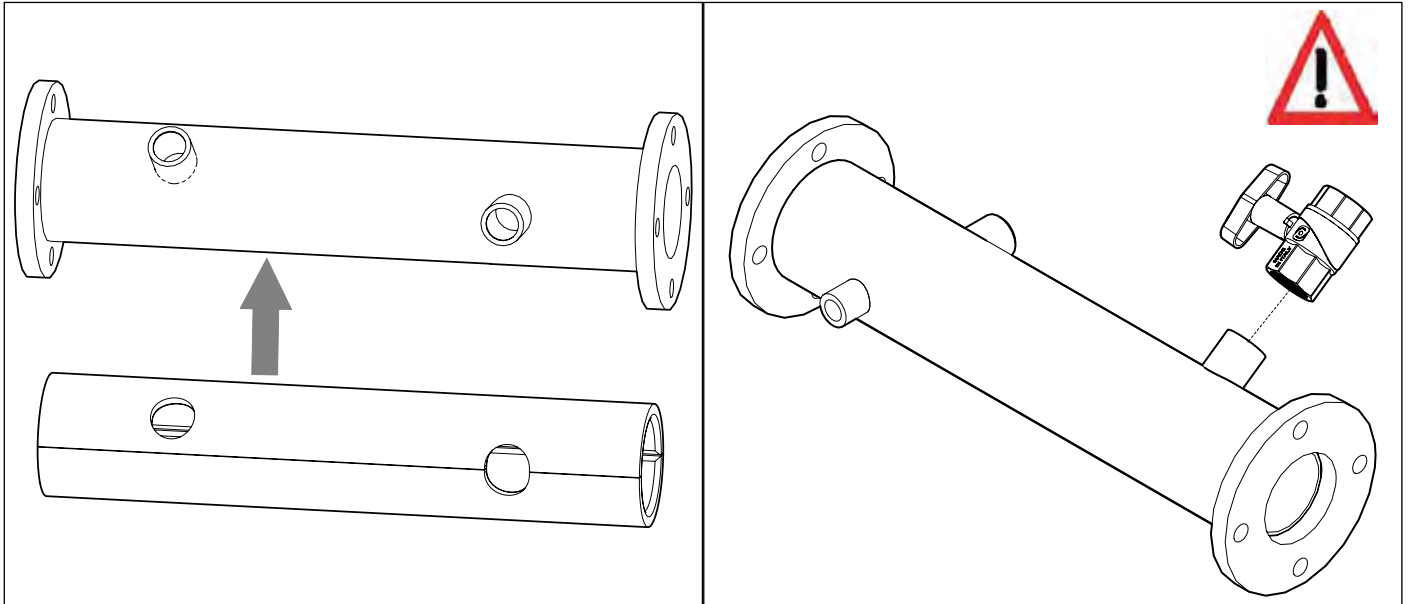


Fasten the gas pipe by placing the gaskets supplied in-between.

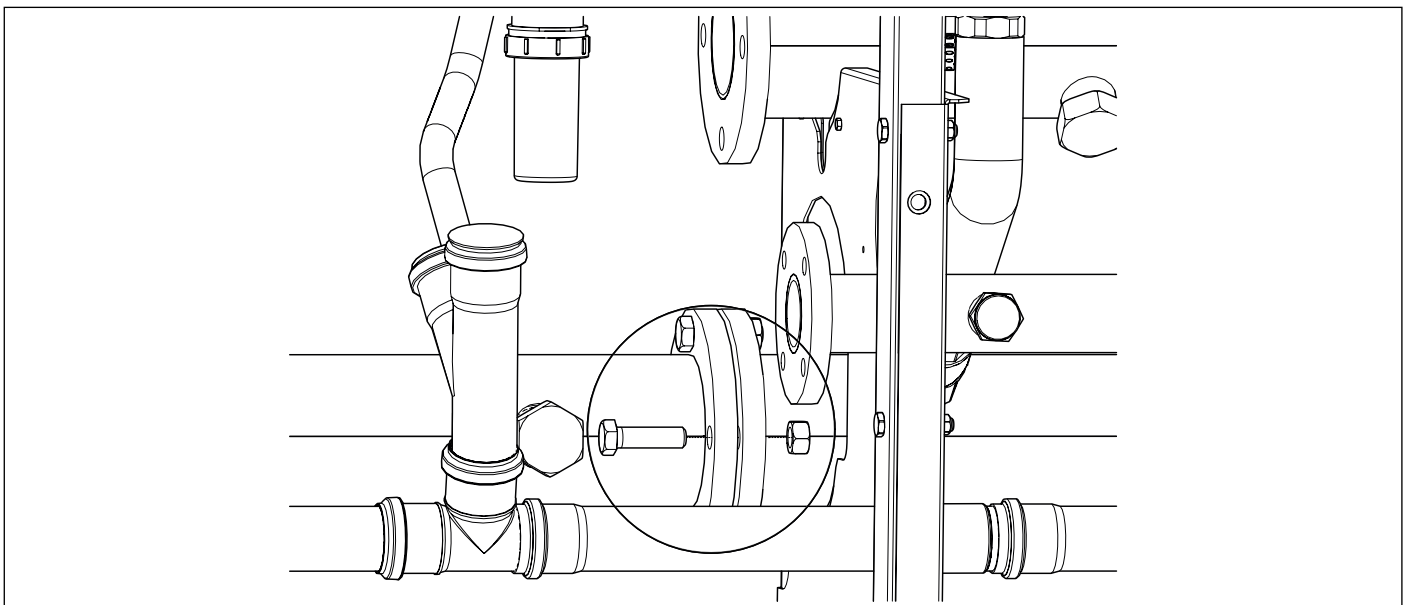
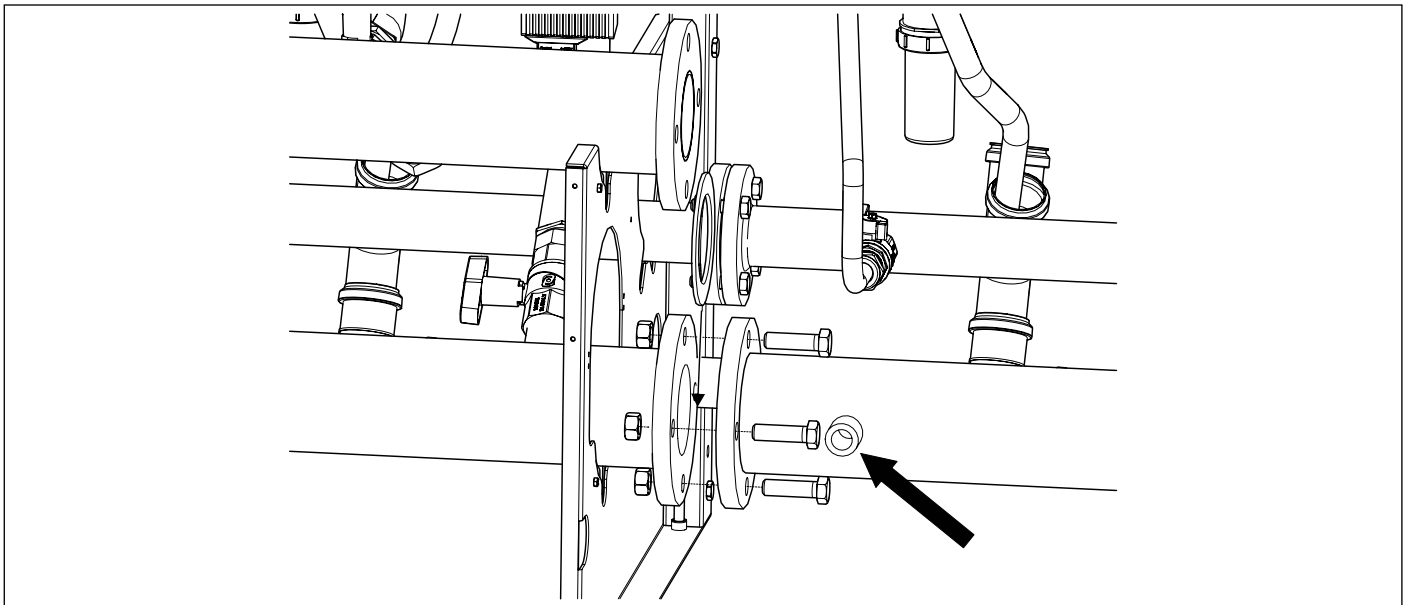


WARNING

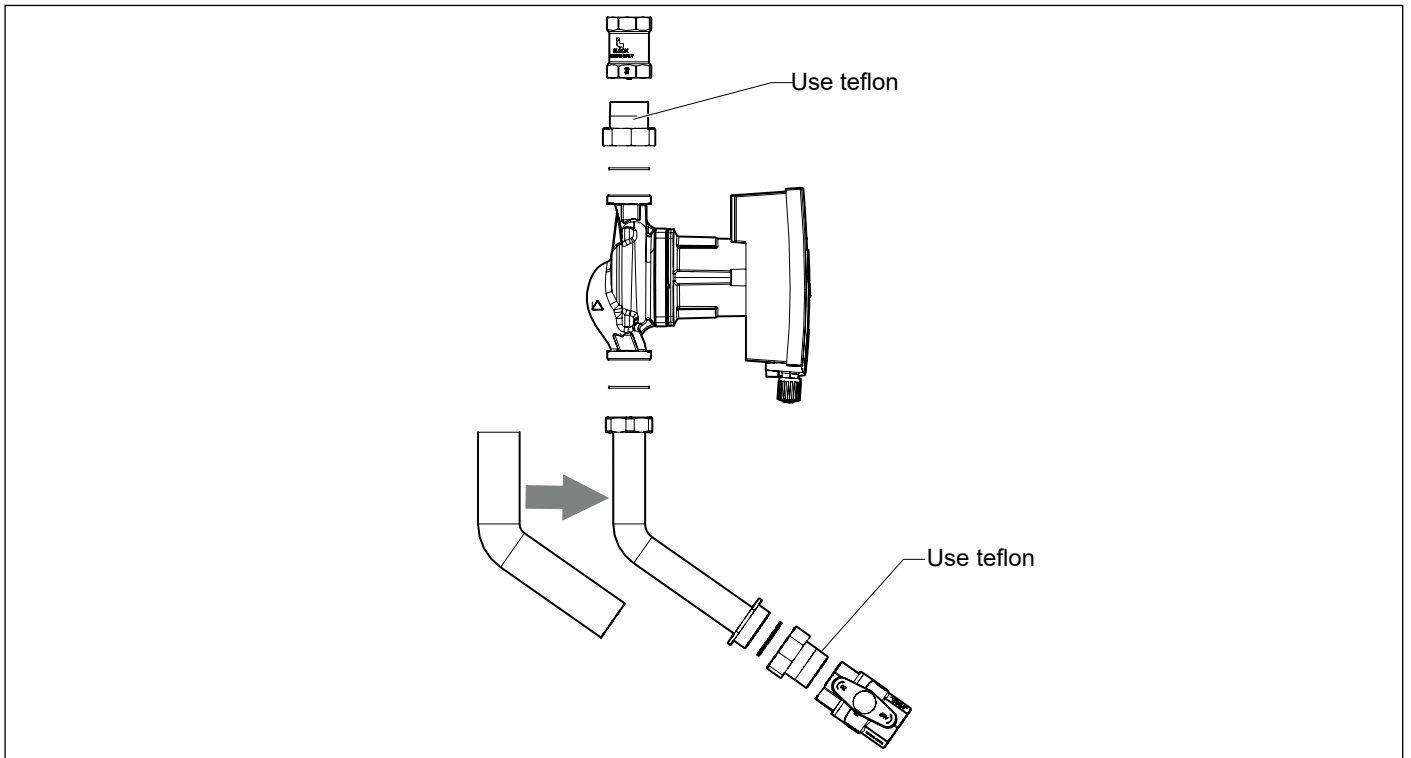
For models from 45 to 85, add the fitting under the boiler.



Fasten the insulating material to the return collector.
Fix the tap on the return collector before positioning it on the structure.

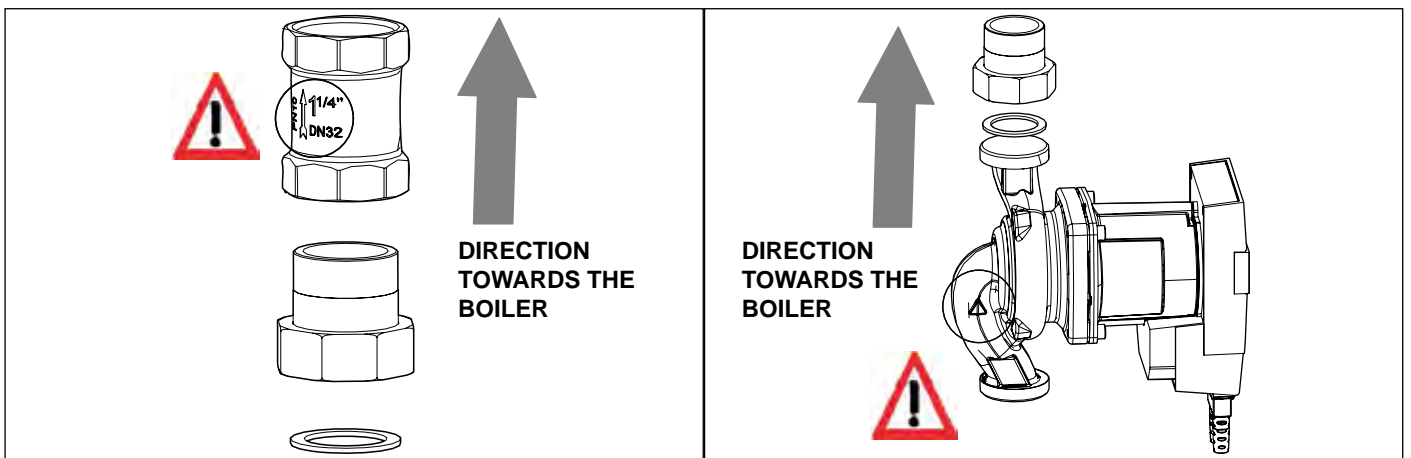


Fasten the return collector with screws and nuts by placing the gasket between the two collectors.

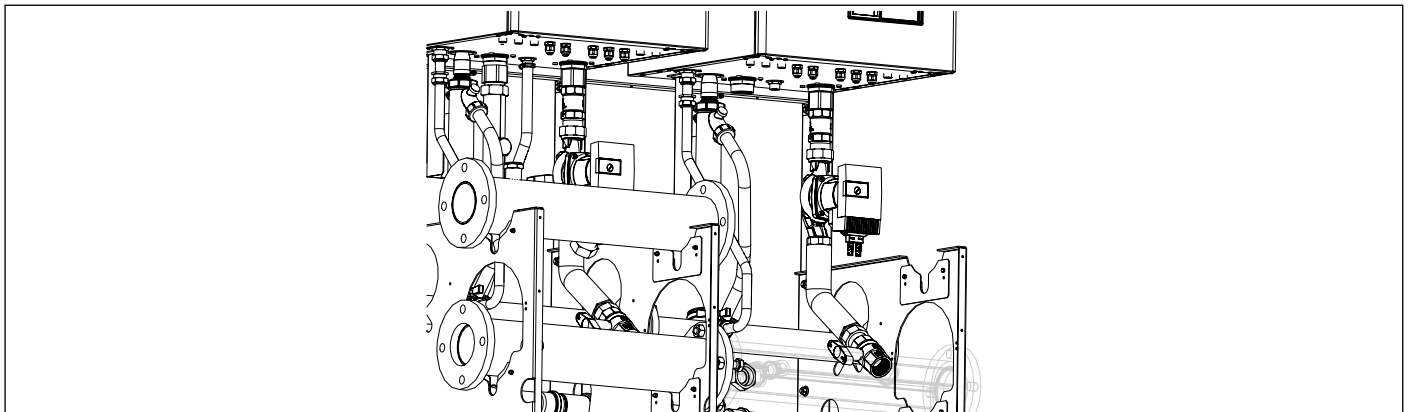


WARNING

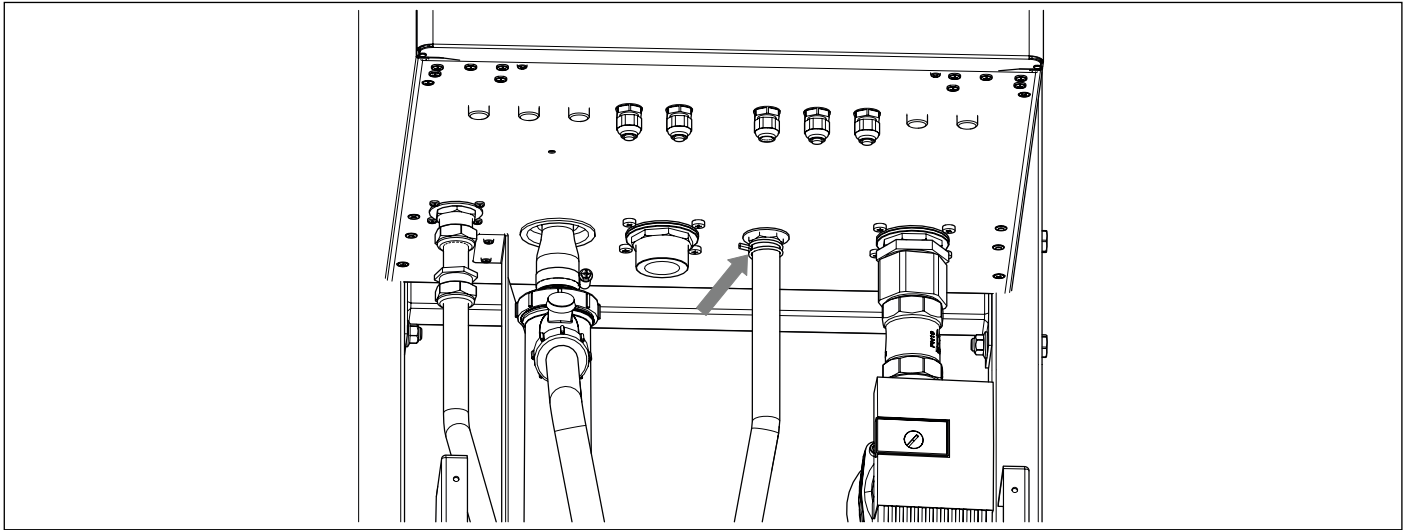
For 120 and 150 boiler models: before mounting the pump under the boiler it is necessary to mount the supplied wiring to the pump.



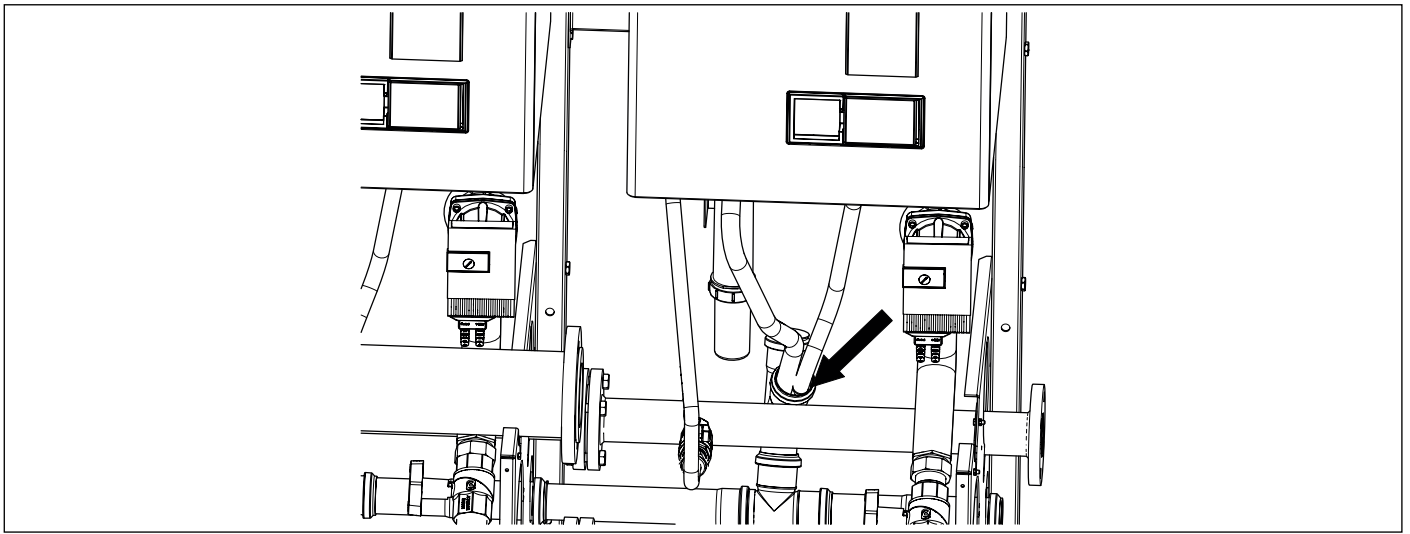
Fasten the components of the hydraulic part paying attention to the installation direction of the non return valve and the installation direction of the circulation pump.



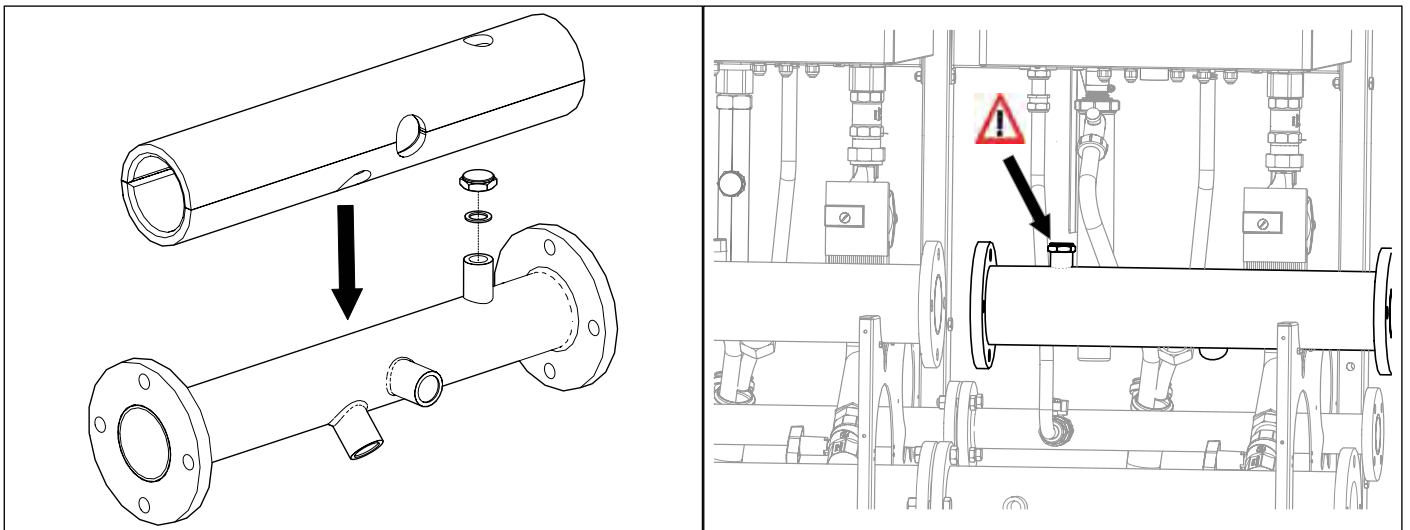
Fasten the hydraulic components between the boiler and the return collector.



Using a clip, fasten the safety valve drain pipe to the boiler.



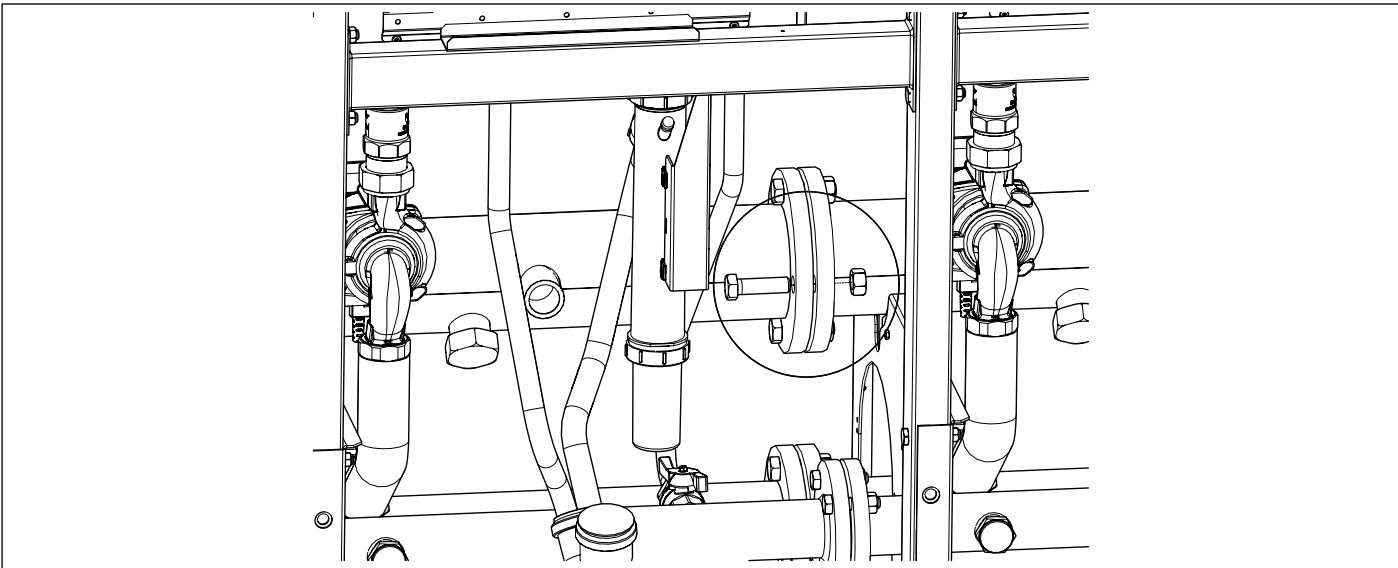
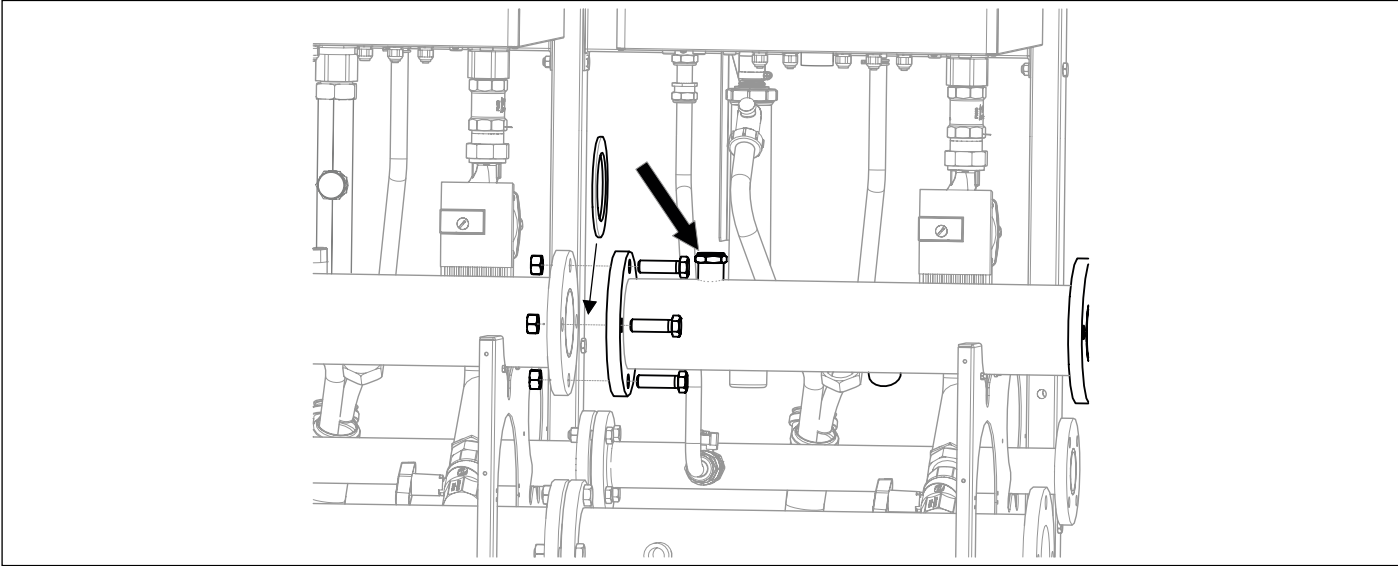
Insert the pipe in the condensate drain branch.



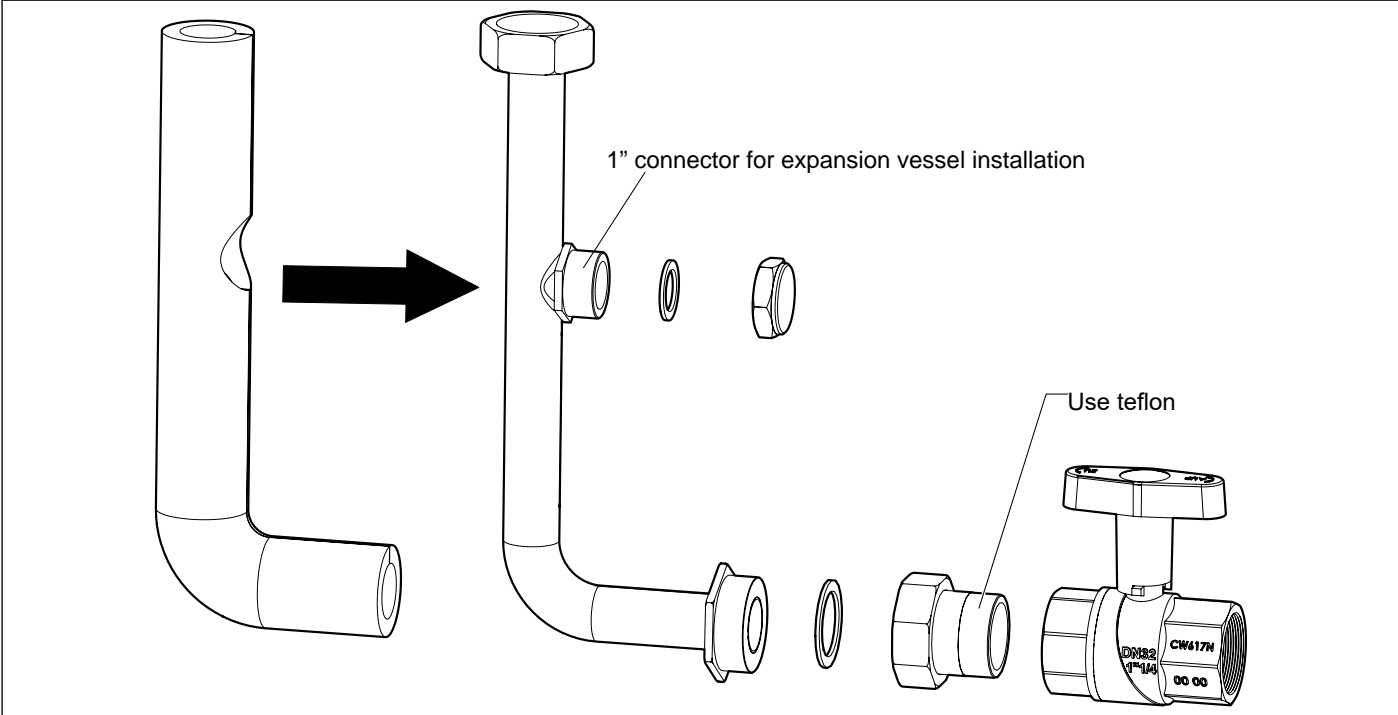
Fasten the insulating material and the cap to the flow collector.
Place the flow collector in the position shown in the figure.

 **WARNING**

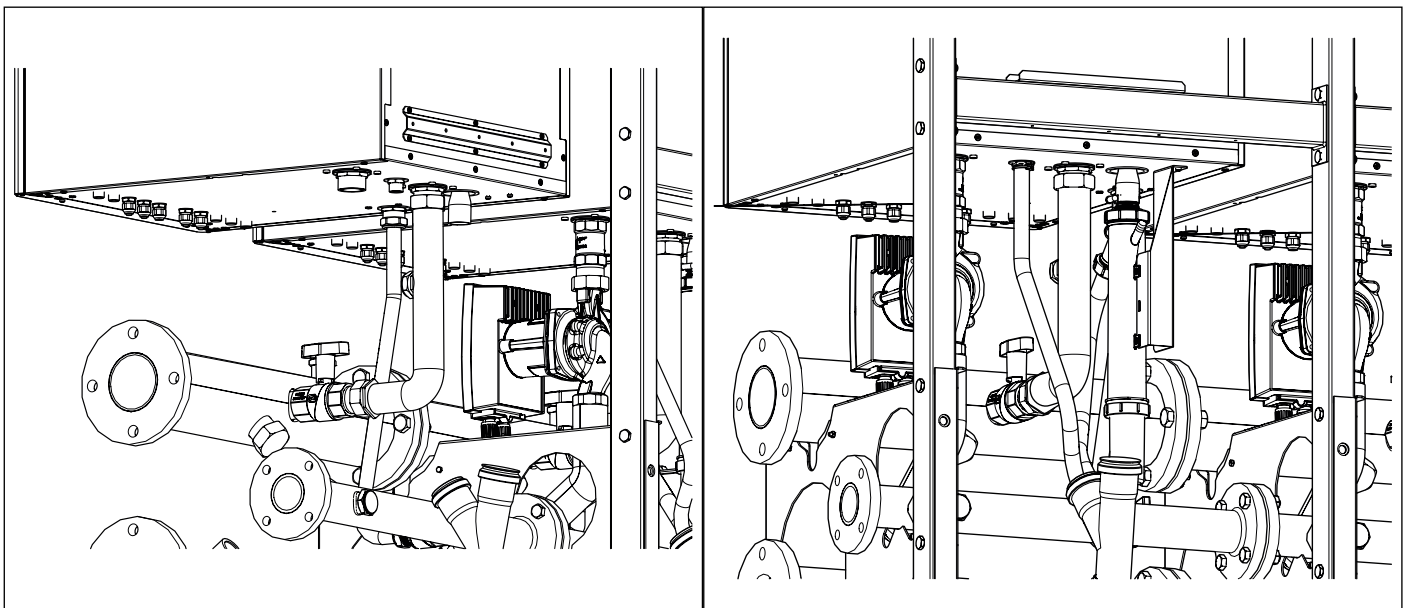
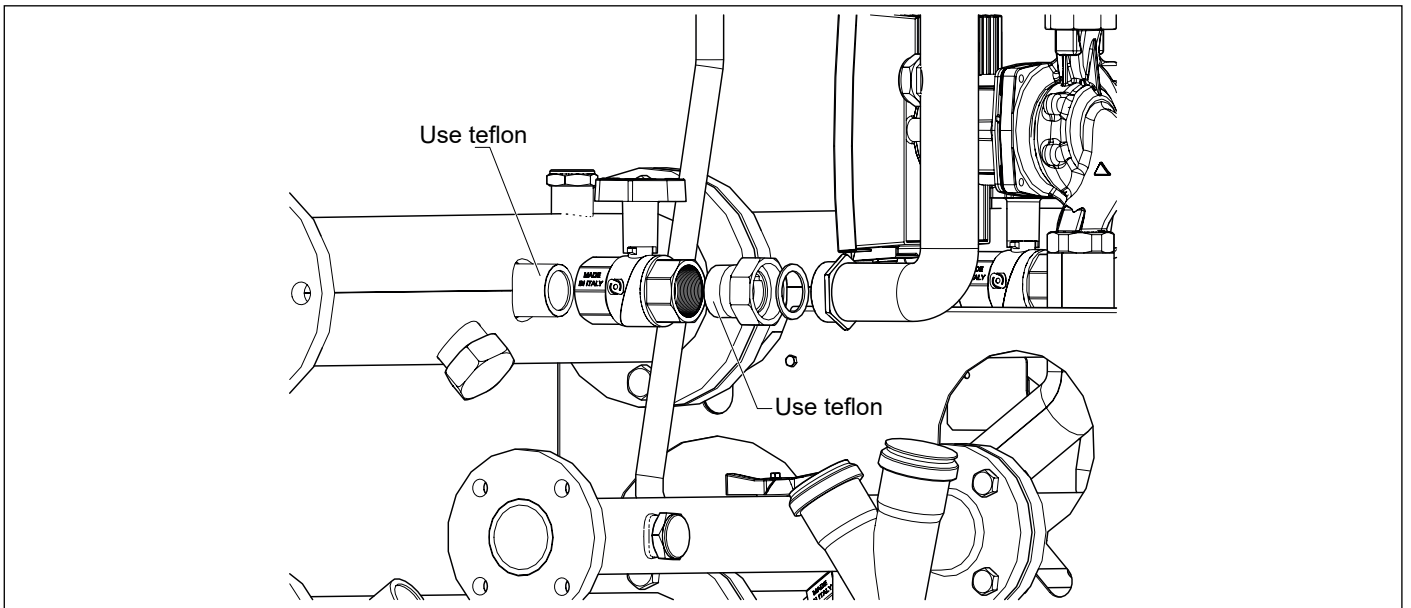
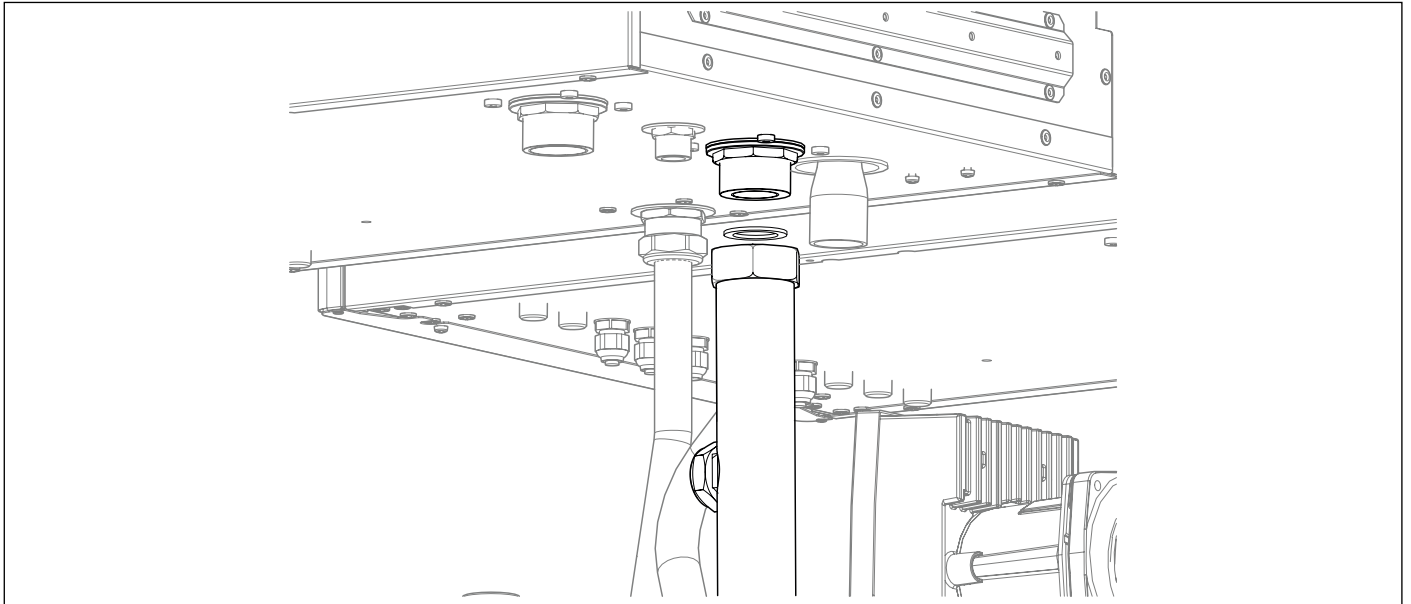
1" fitting for connection of expansion tank and/or system filler/drain cock. In case of hydraulic separator installation, the drain can be made on the pre-arranged connection on the hydraulic separator.



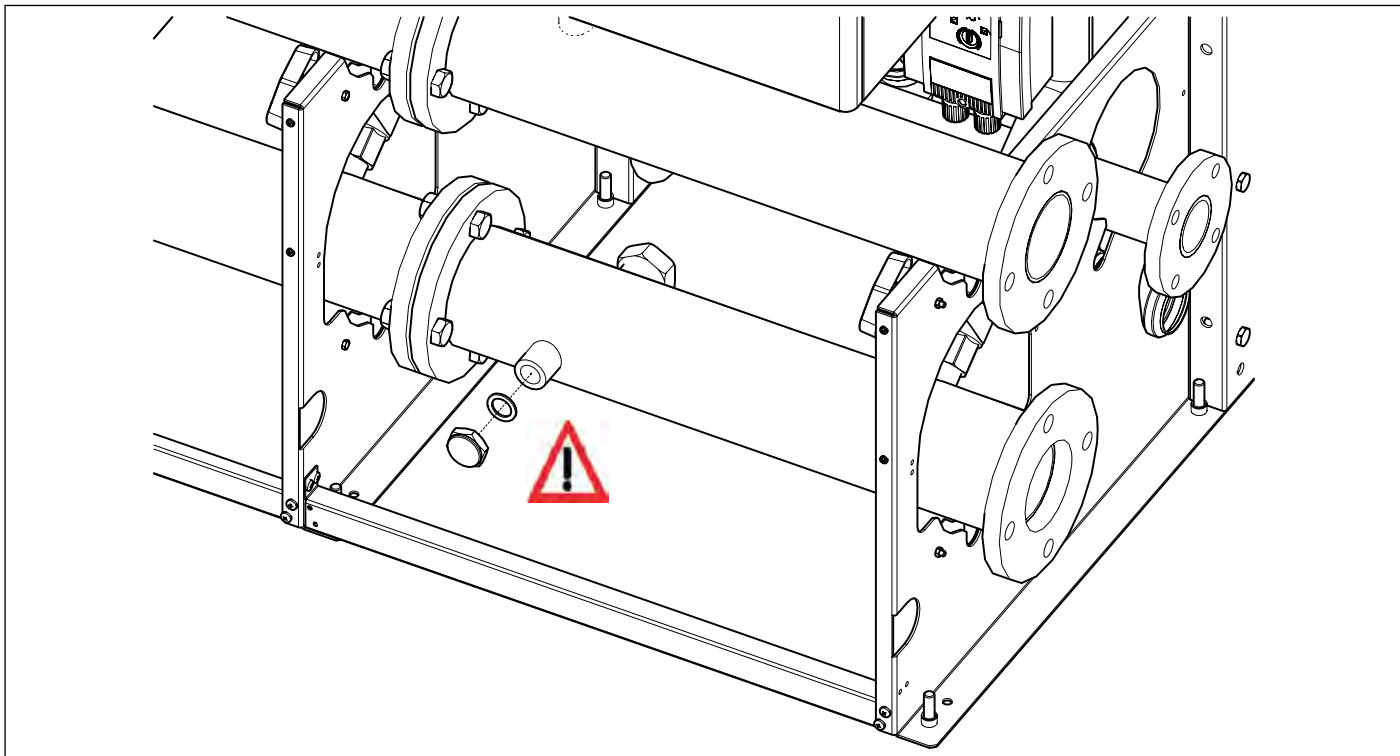
Fasten the flow collector with screws and nuts by placing the gasket between the two collectors.



Fasten the components shown in the figure.



Fit the just-assembled unit to the boiler and the flow collector.

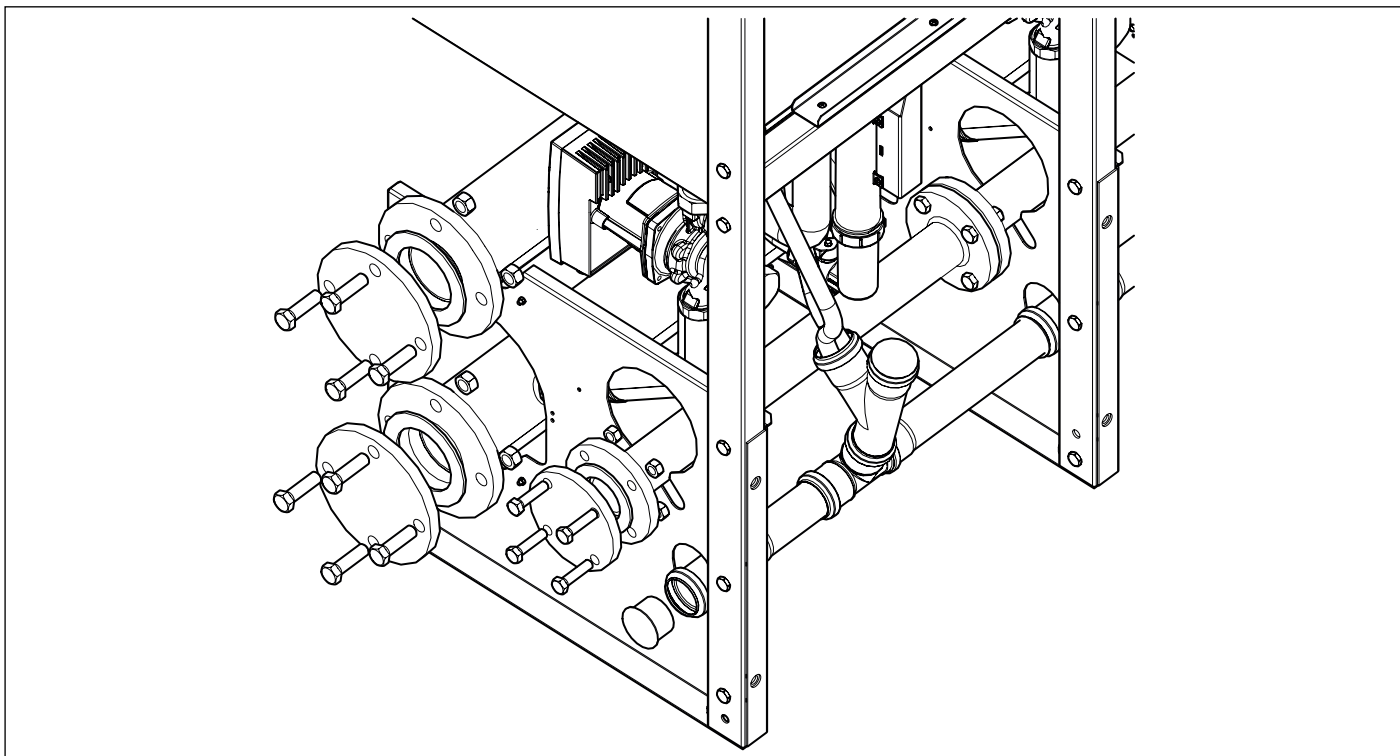


Fasten the cap to the return collector.



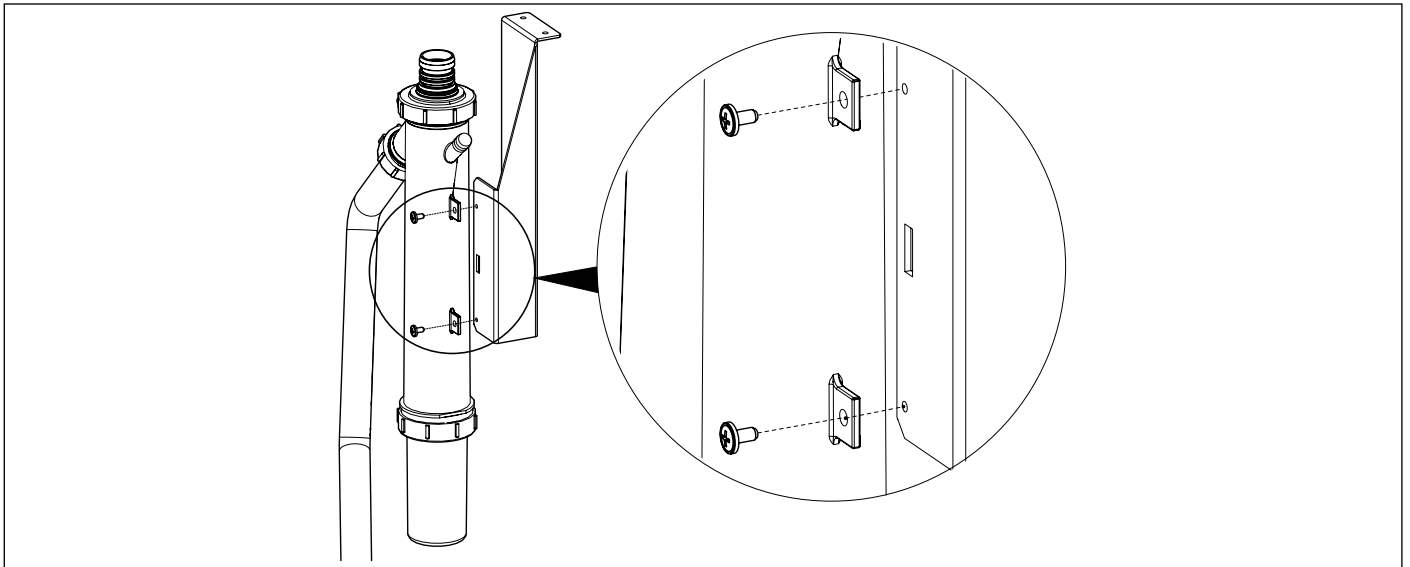
WARNING

Fitting for connection of expansion tank and/or filler/drain cock. In case of hydraulic separator installation, the drain can be made on the pre-arranged connection on the hydraulic separator.

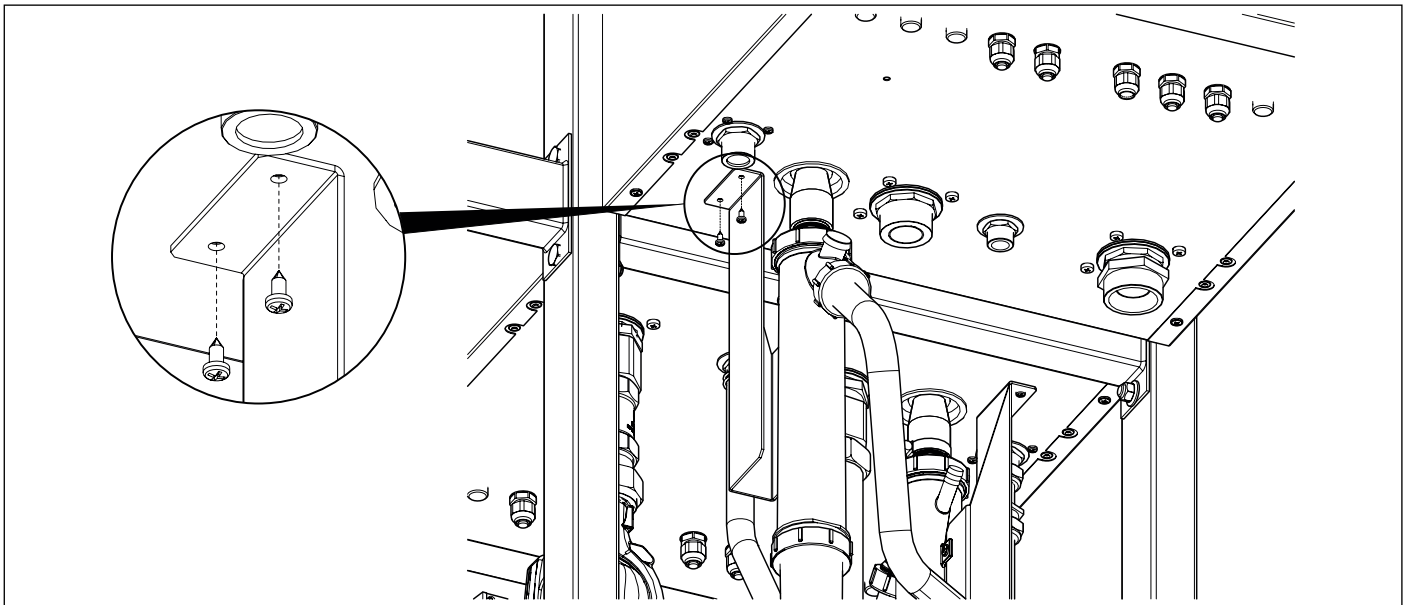


If expansion modules are not installed, it is necessary to close the flow and return collectors, the gas collector and the drain with the components shown in the figure.

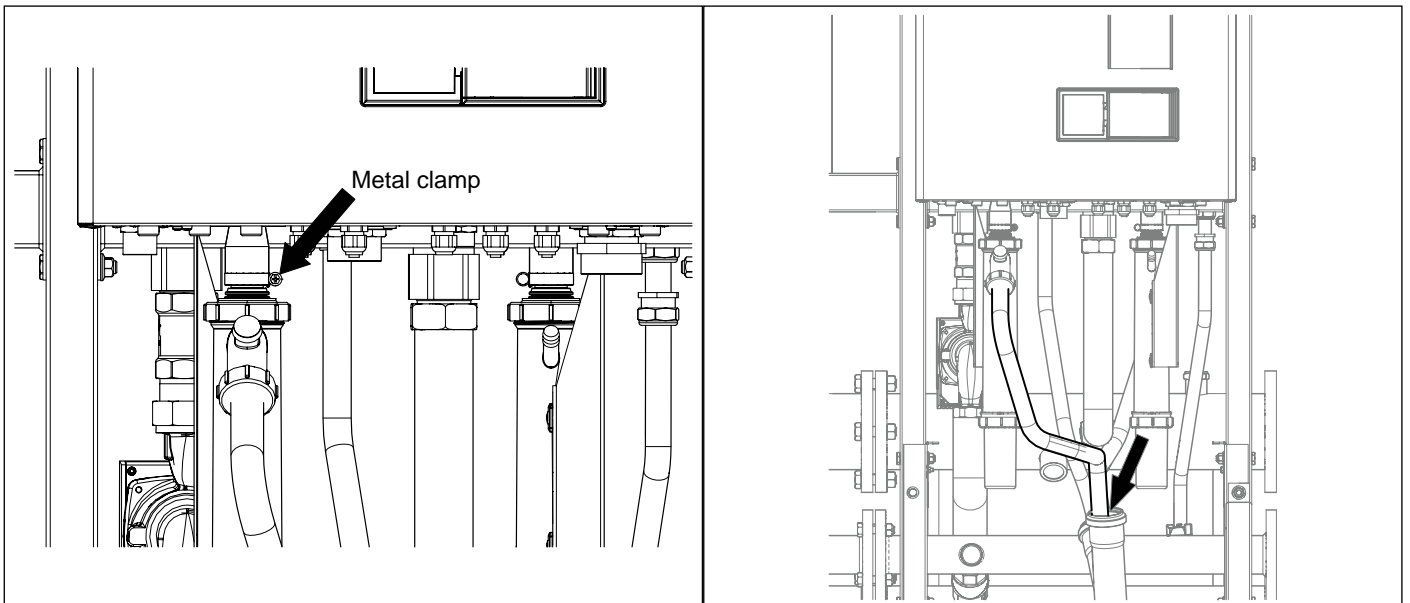
1.10 Installation of the hydraulic and gas components of the head module on back side



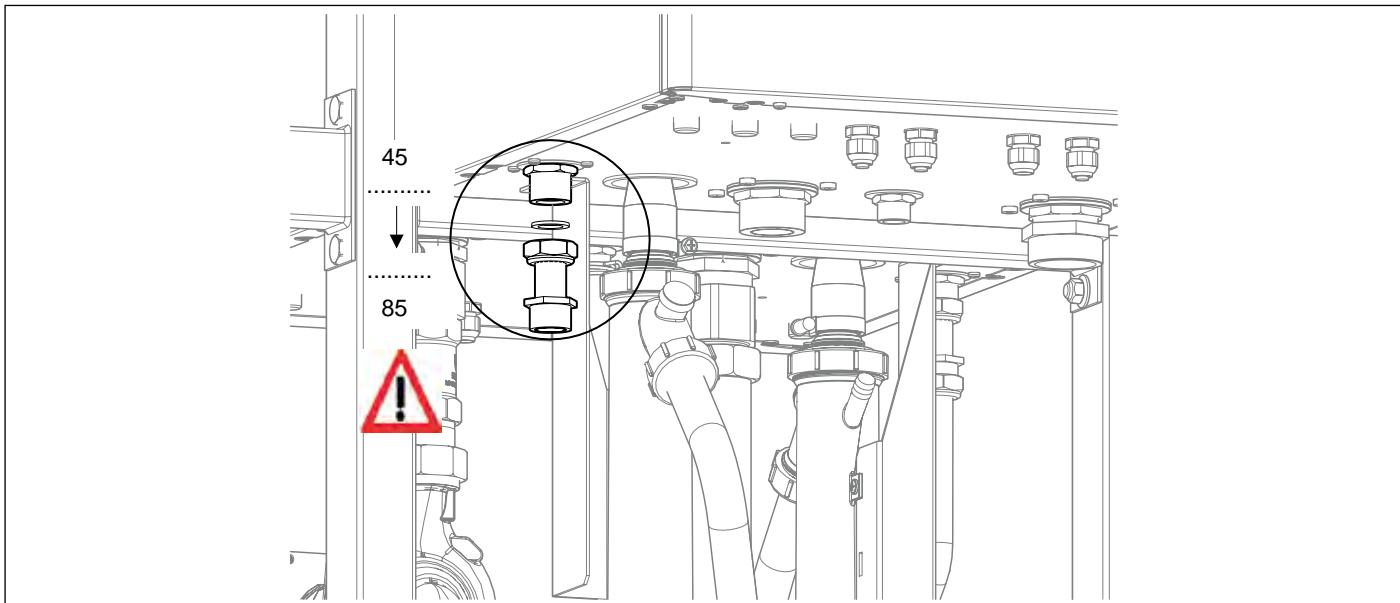
Using screws, fasten the bracket to the condensate trap.



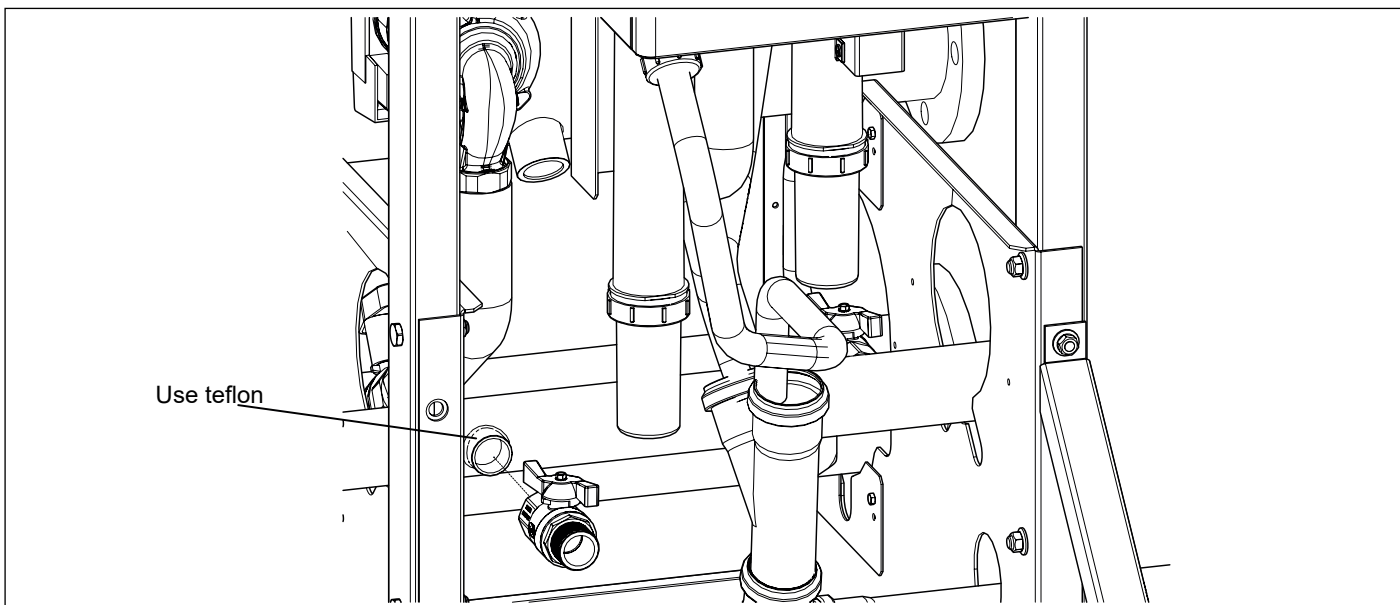
Using screws, fasten the bracket with the trap to the lower part of the boiler as shown in the figure.



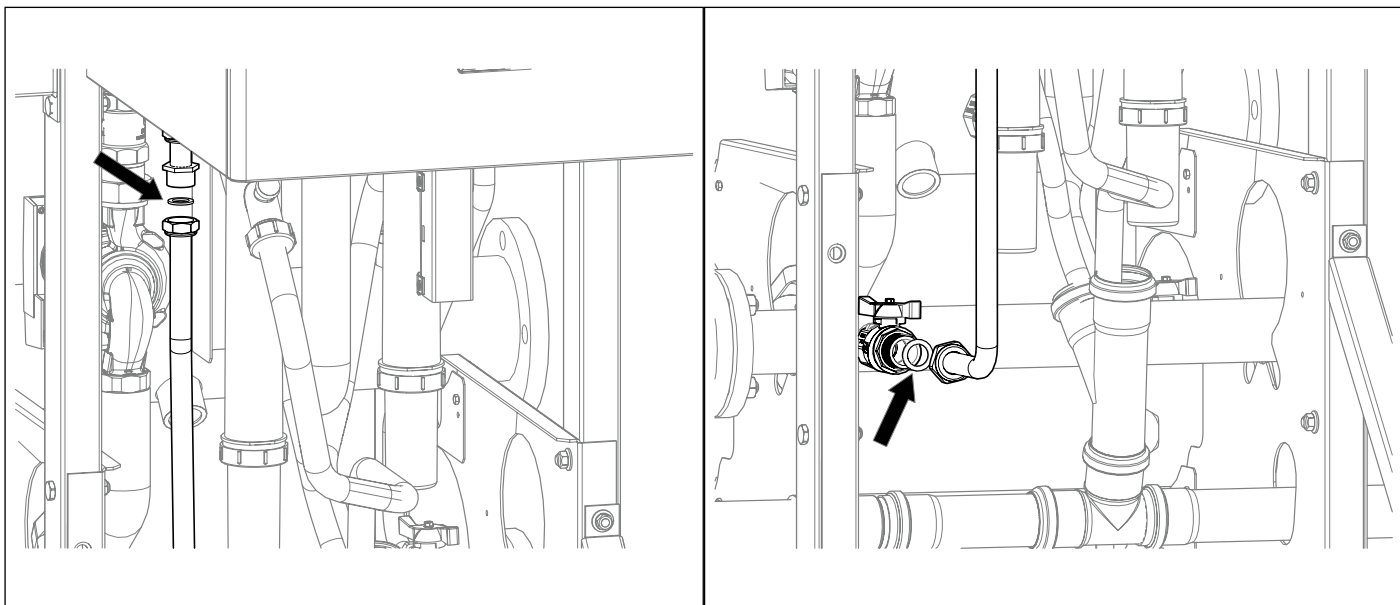
Fasten the trap with the metal clamp as shown in the figure. Connect the trap drain to the drain pipe.



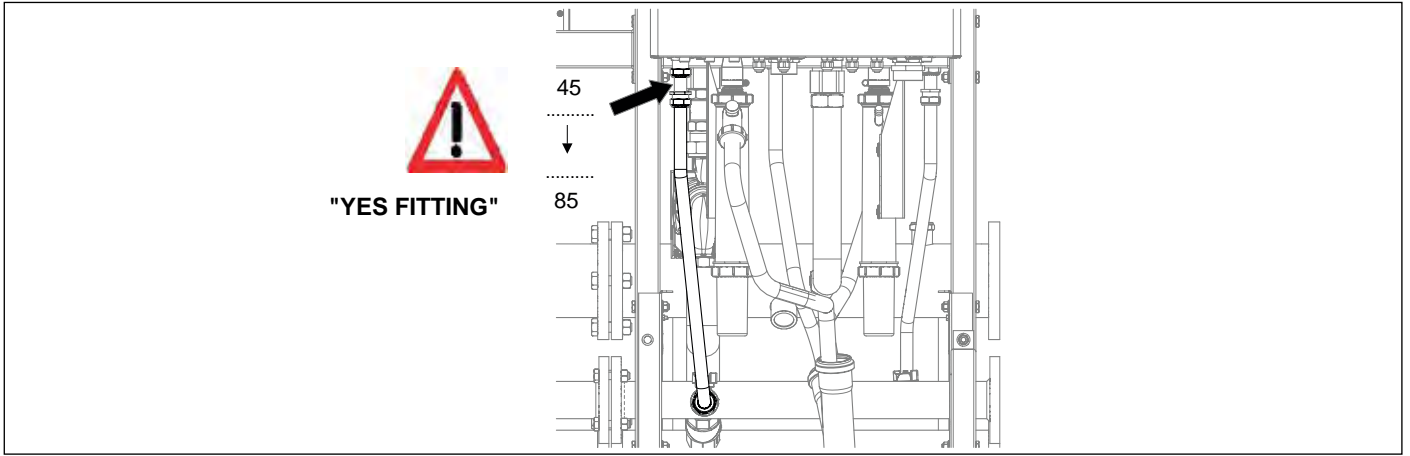
Fit the gasket and the gas fitting only for boiler models from 45 to 85.



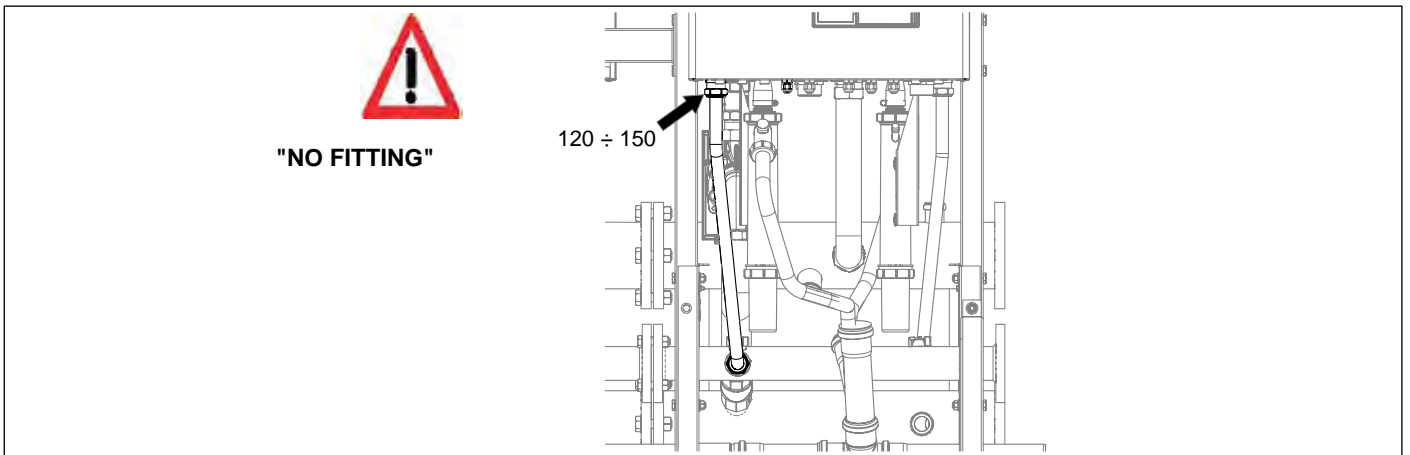
Fit the gas tap.



Fasten the gas pipe by placing the gaskets supplied in-between.

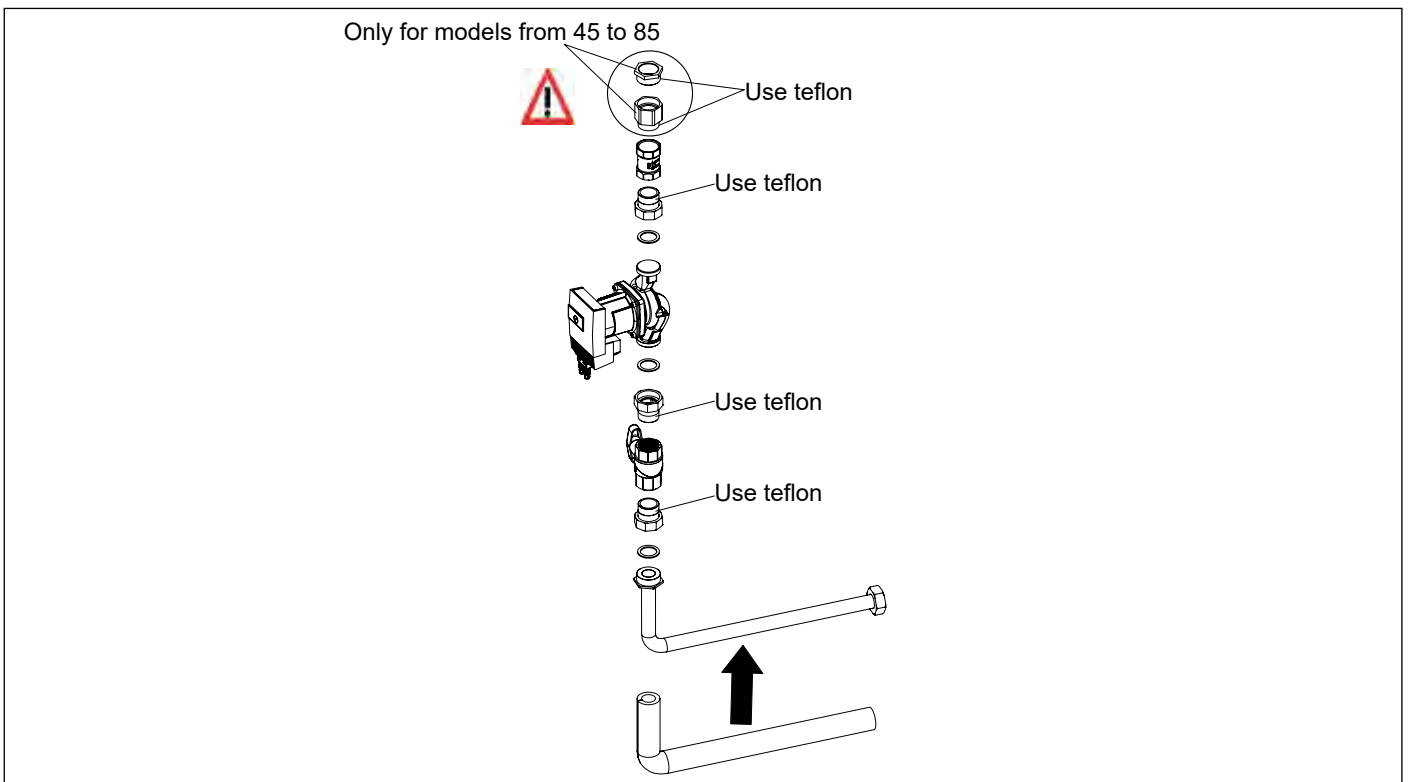


Fitting the gas pipe in case of boiler models from 45 to 85.



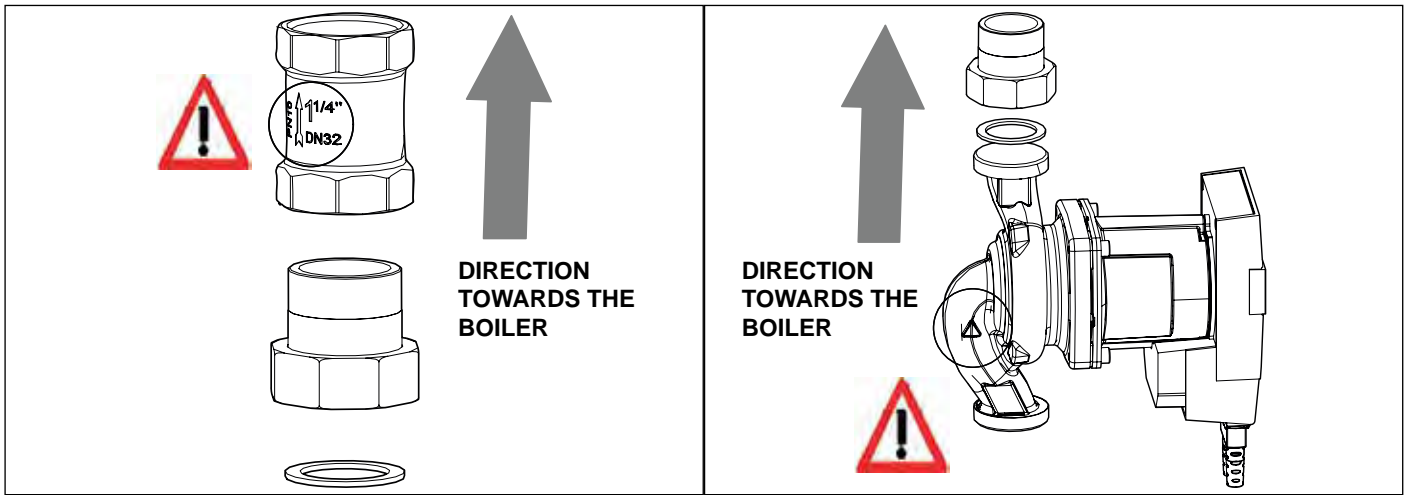
Fitting the gas pipe in case of models from 120 to 150.

In case of boilers models from 120 to 150, it is not necessary to install the gas fitting.

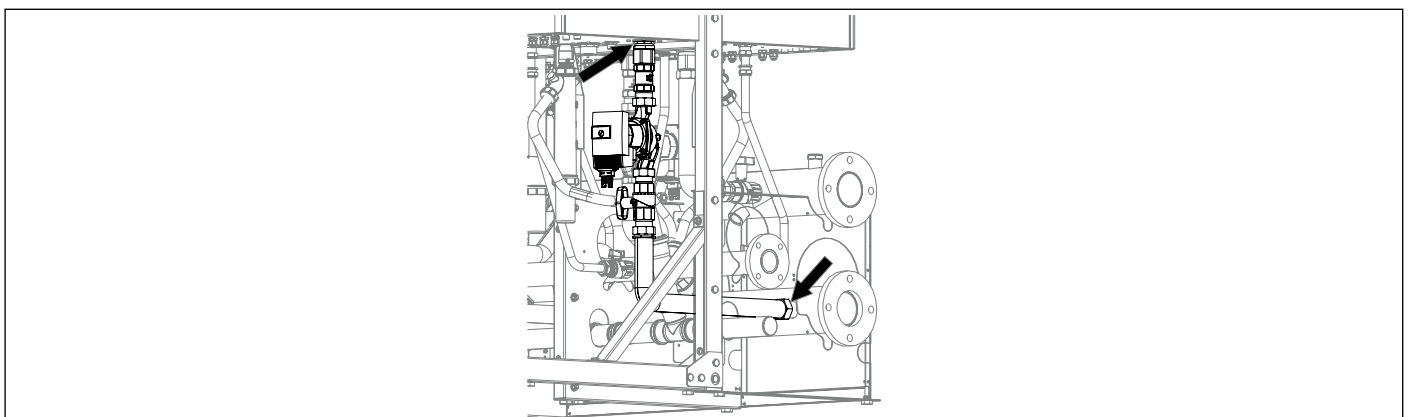
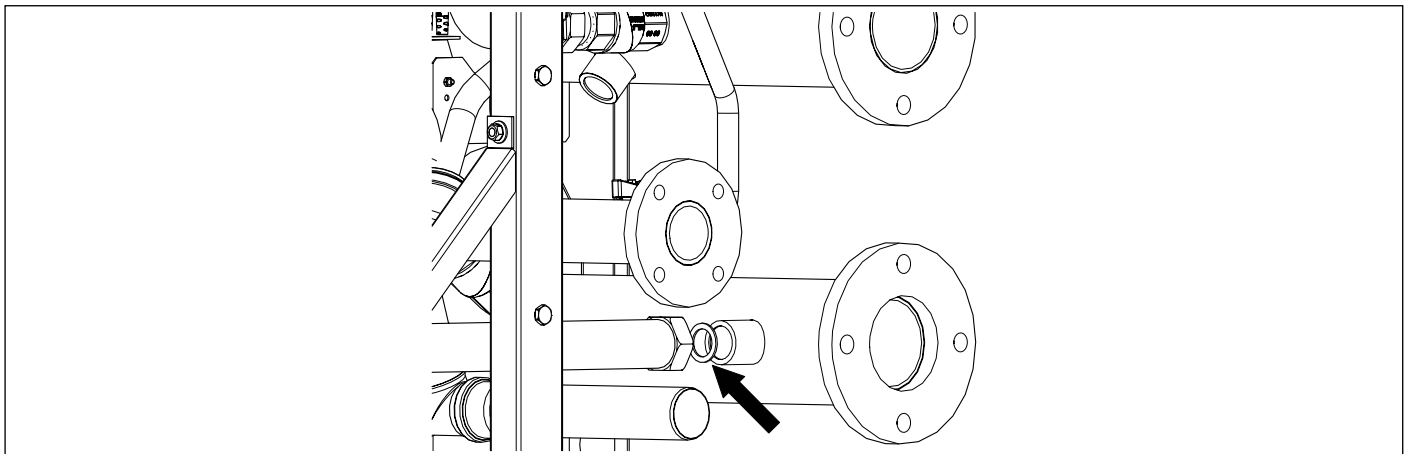
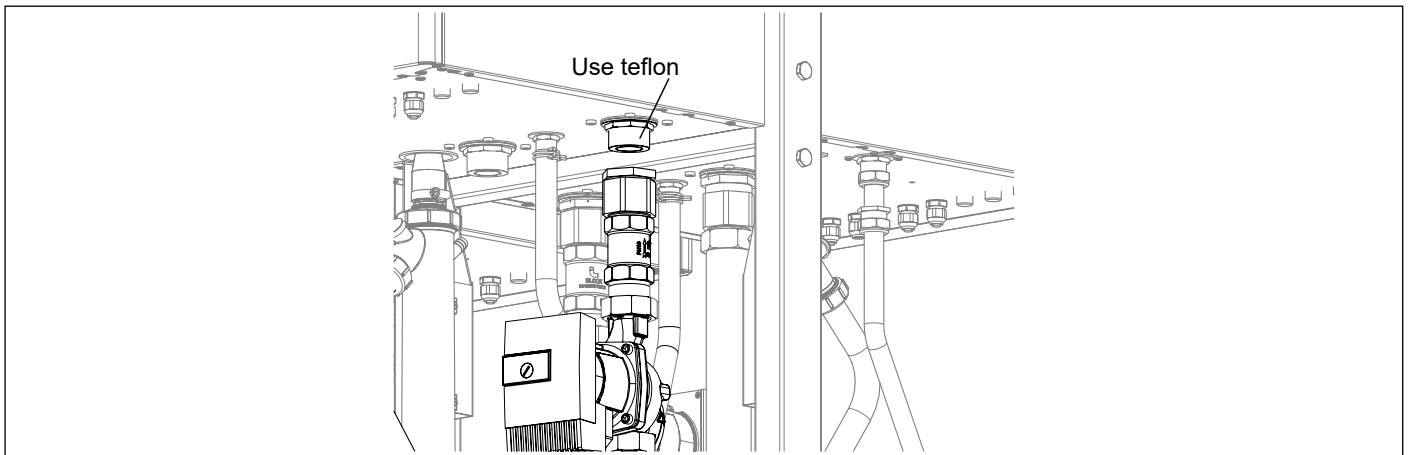


 **WARNING**

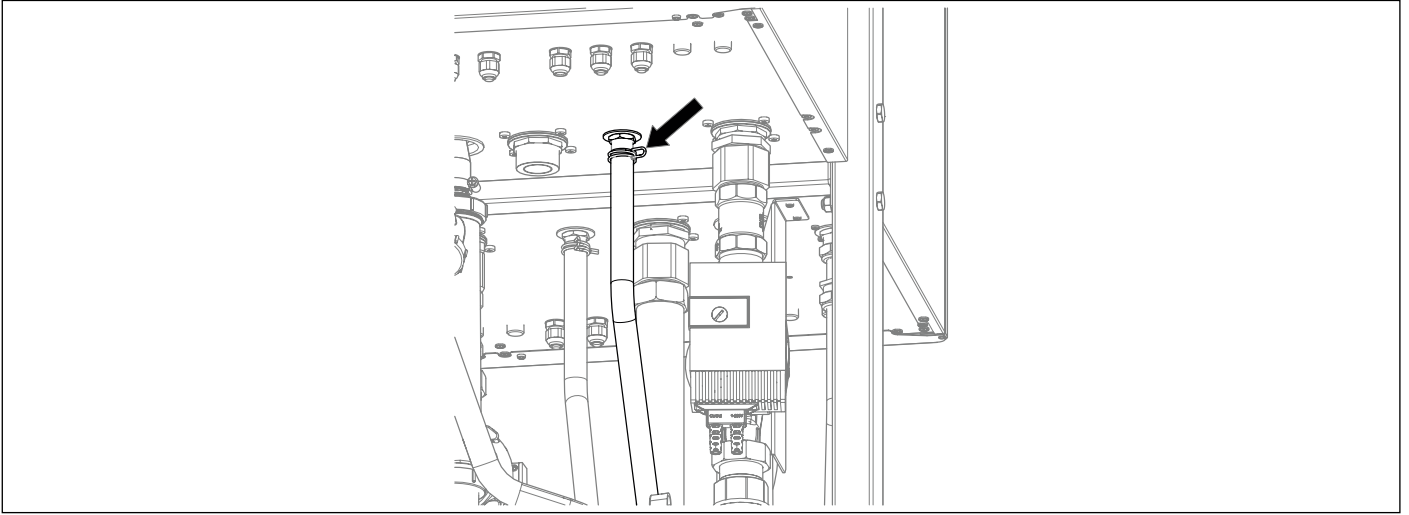
For 120 and 150 boiler models: before mounting the pump under the boiler it is necessary to mount the supplied wiring to the pump.



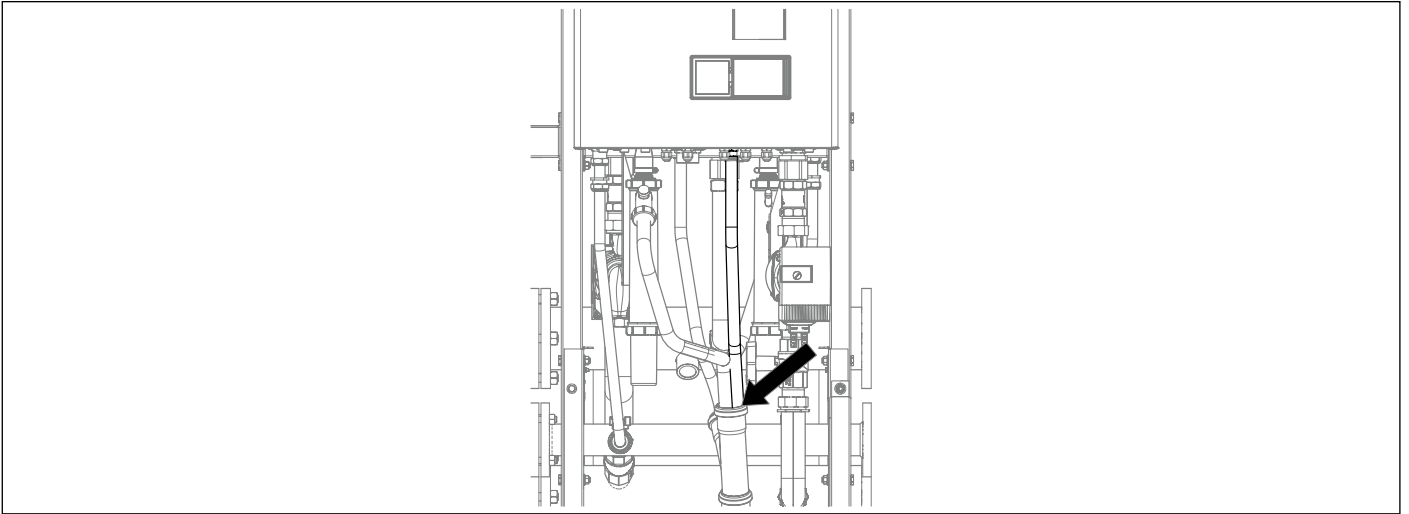
Fasten the components of the hydraulic part paying attention to the installation direction of the non return valve and the installation direction of the circulation pump.



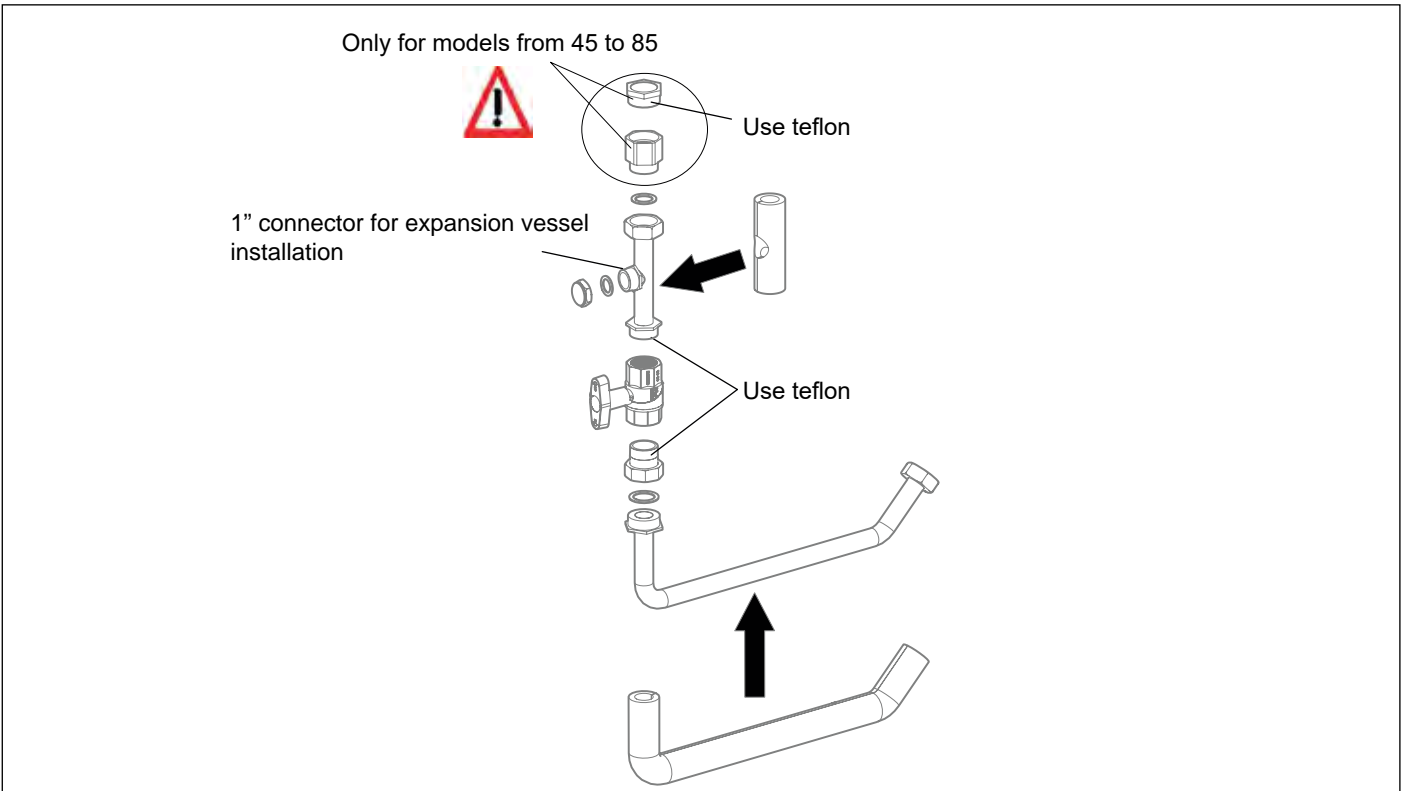
Fasten the hydraulic components between the boiler and the return collector.



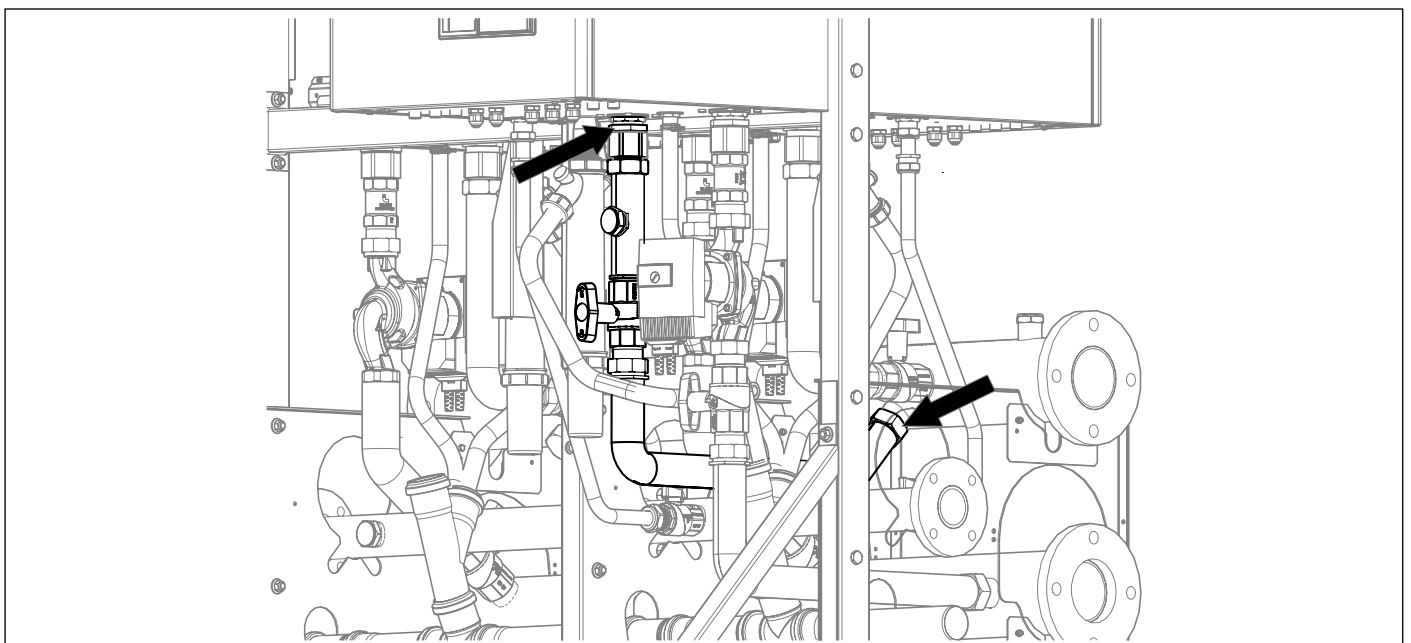
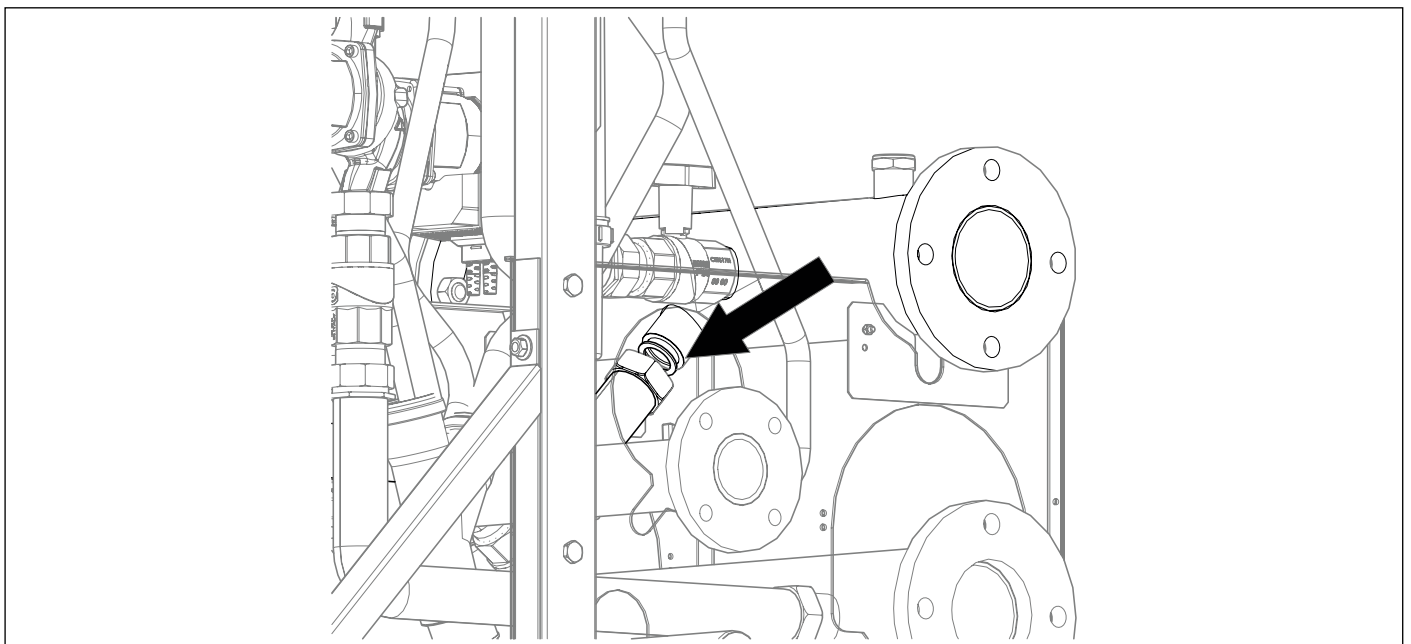
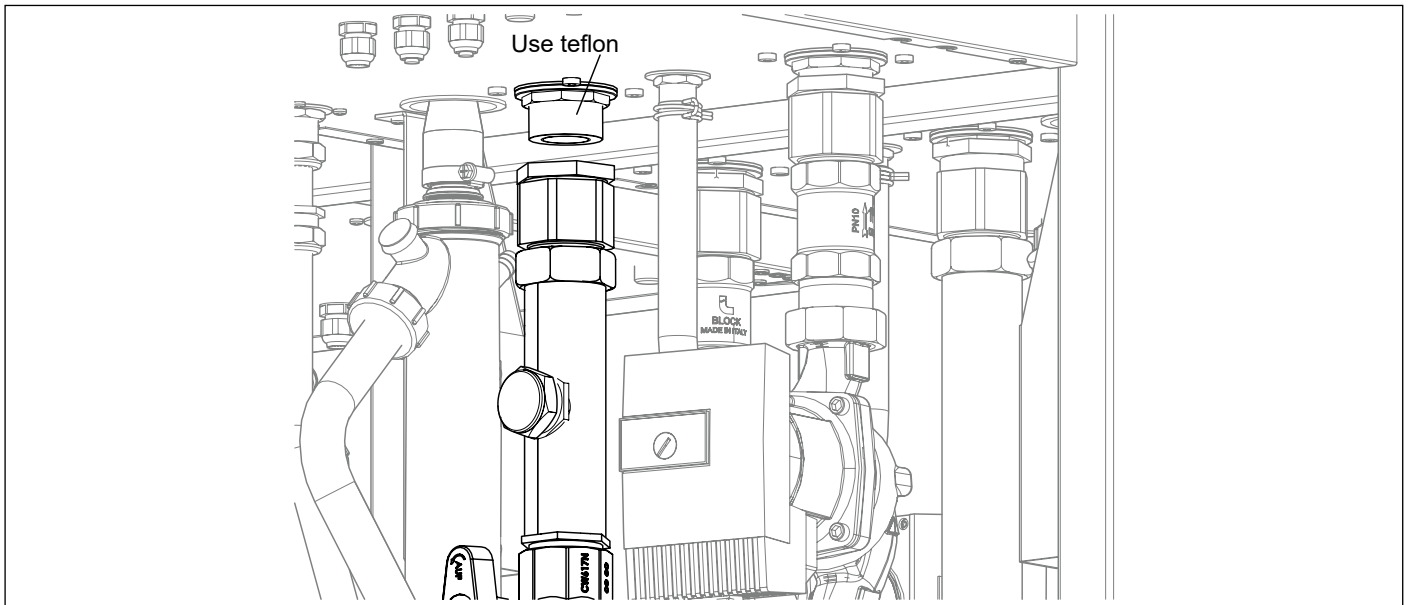
Using a clip, fasten the safety valve drain pipe to the boiler.



Insert the pipe in the condensate drain branch.



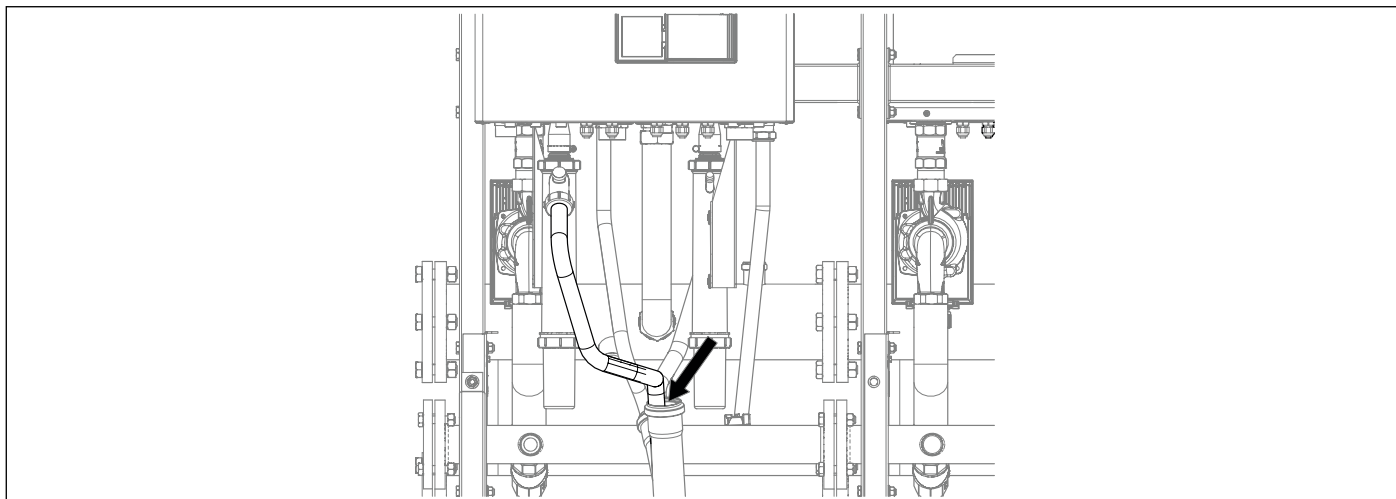
Fasten the components shown in the figure.



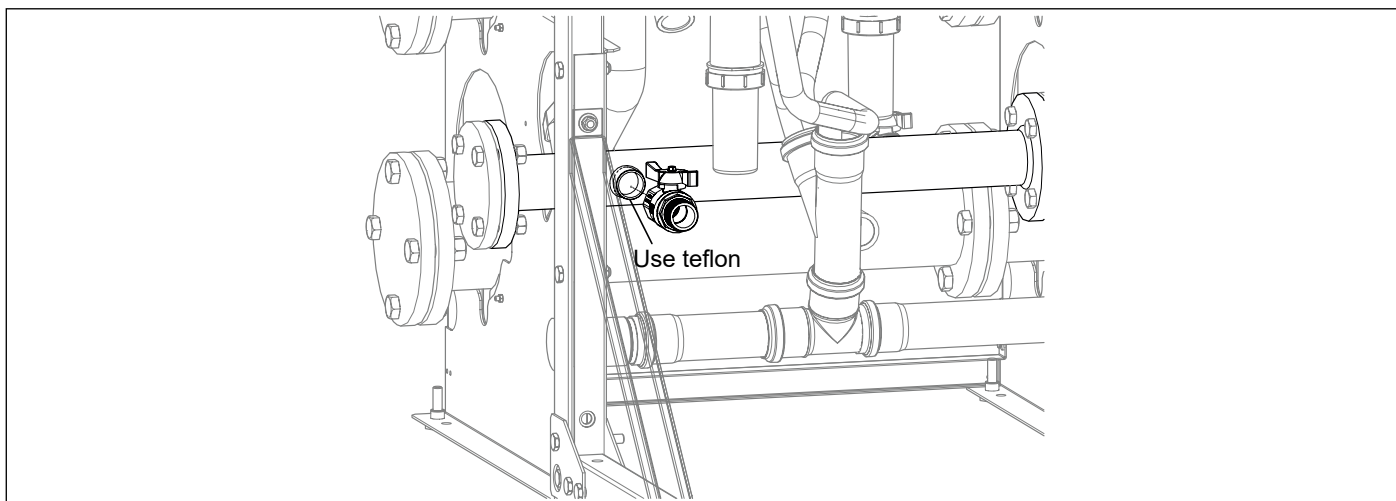
Fit the just-assembled unit to the boiler and the flow collector.

1.11 Installation of hydraulic and gas components of the expansion module on back side

Fit the trap on the boiler as described on page 42.

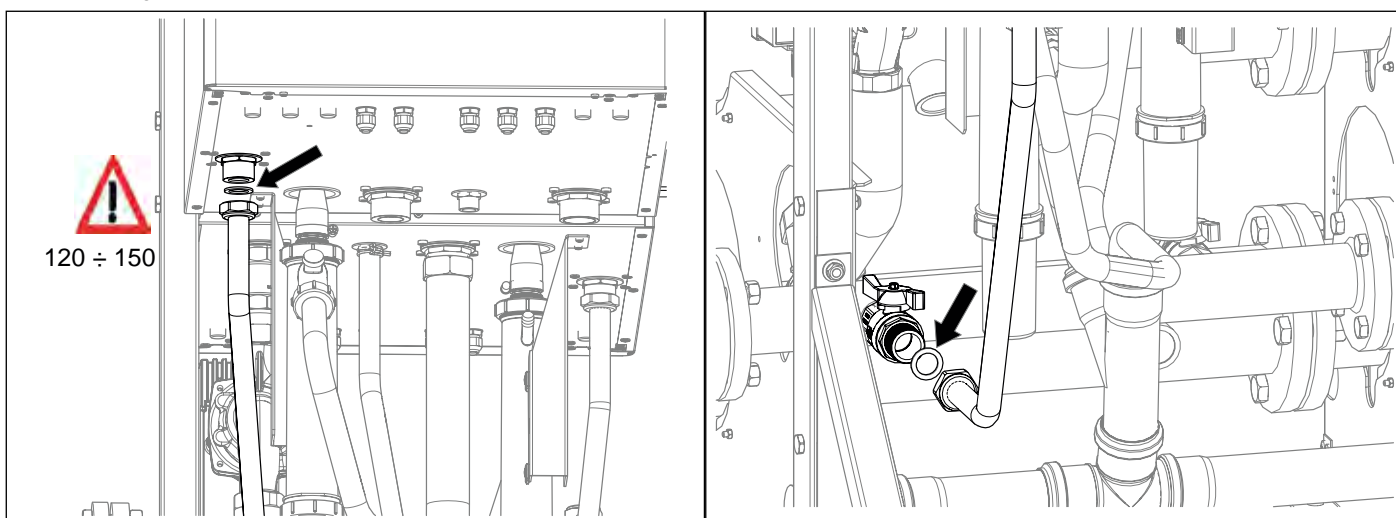


Connect the boiler condensate drain to the drain pipe.



Fit the gas tap.

The fitting operations of an hydraulic unit for 120 - 150 boiler model are described below. If a boiler with output up to 85 is installed, refer to the figures above.

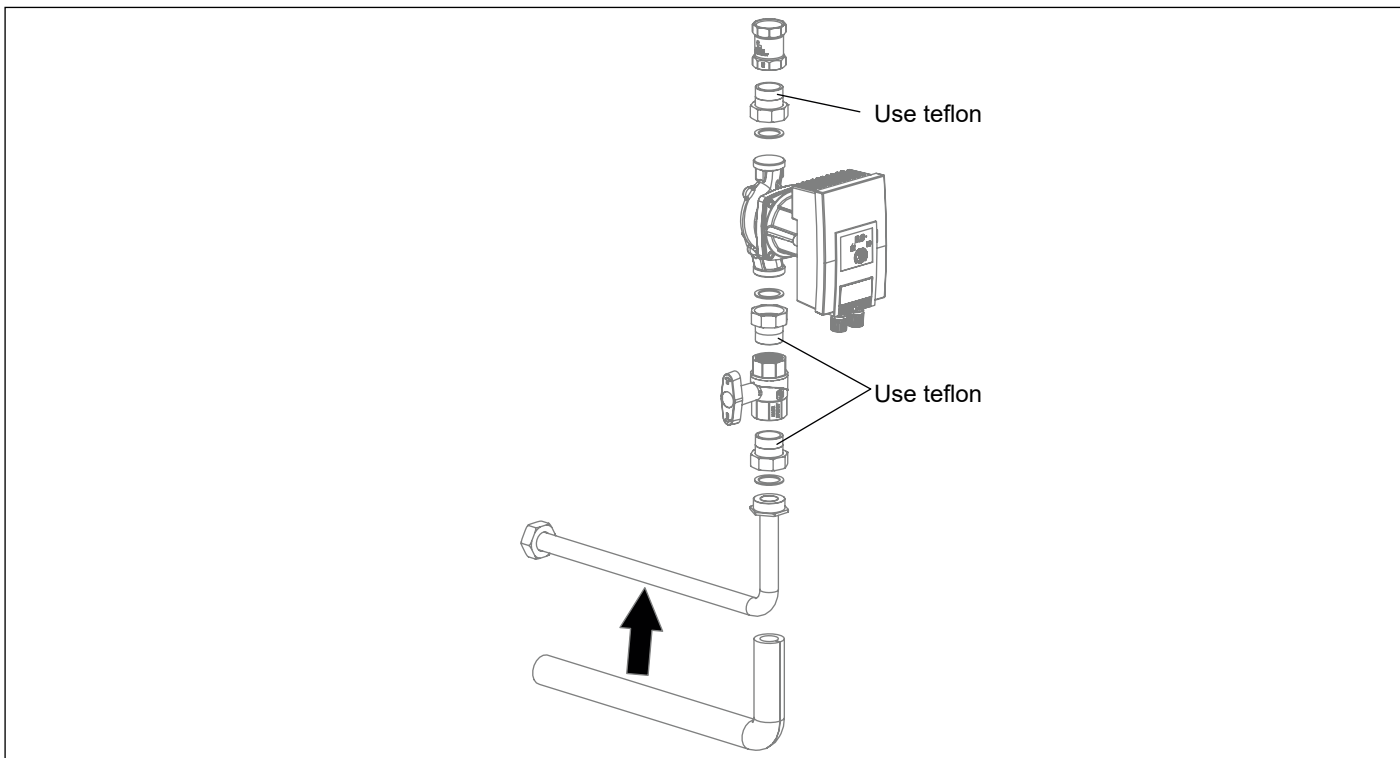
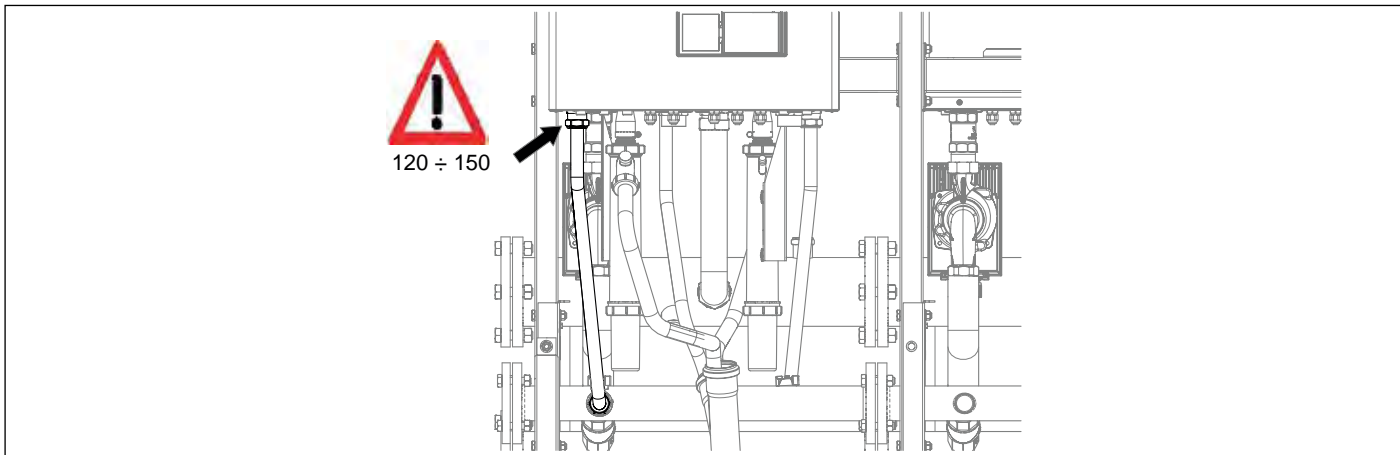


Fasten the gas pipe by placing the gaskets supplied in-between.



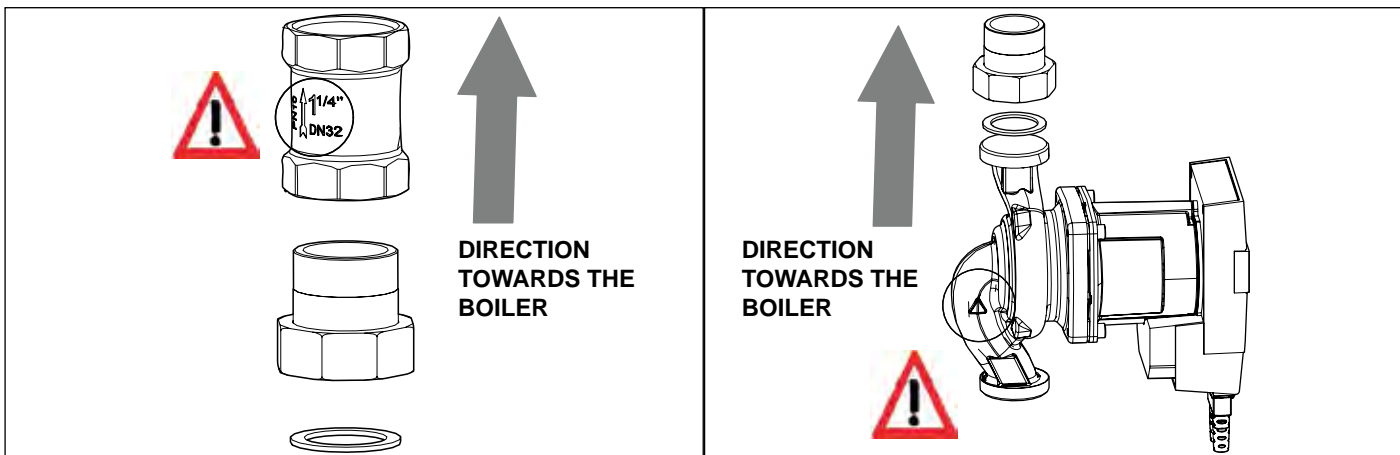
WARNING

For models from 45 to 85, add the fitting under the boiler.

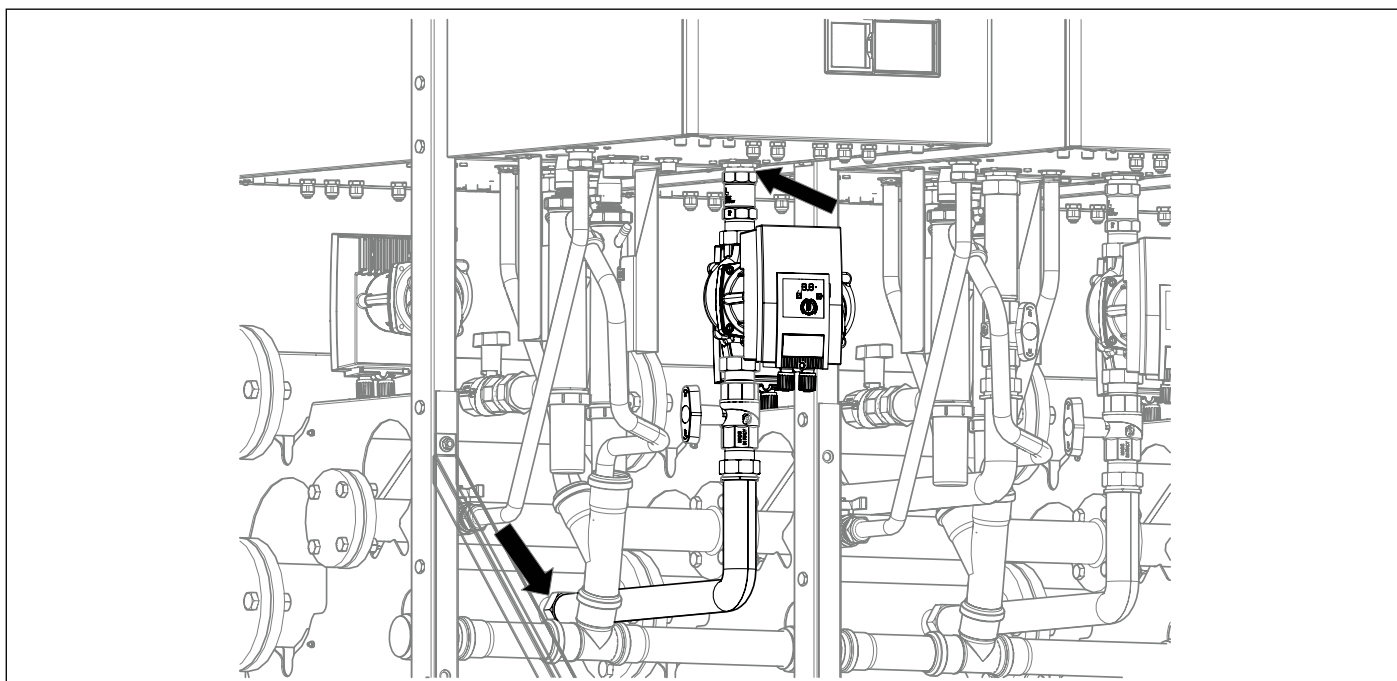
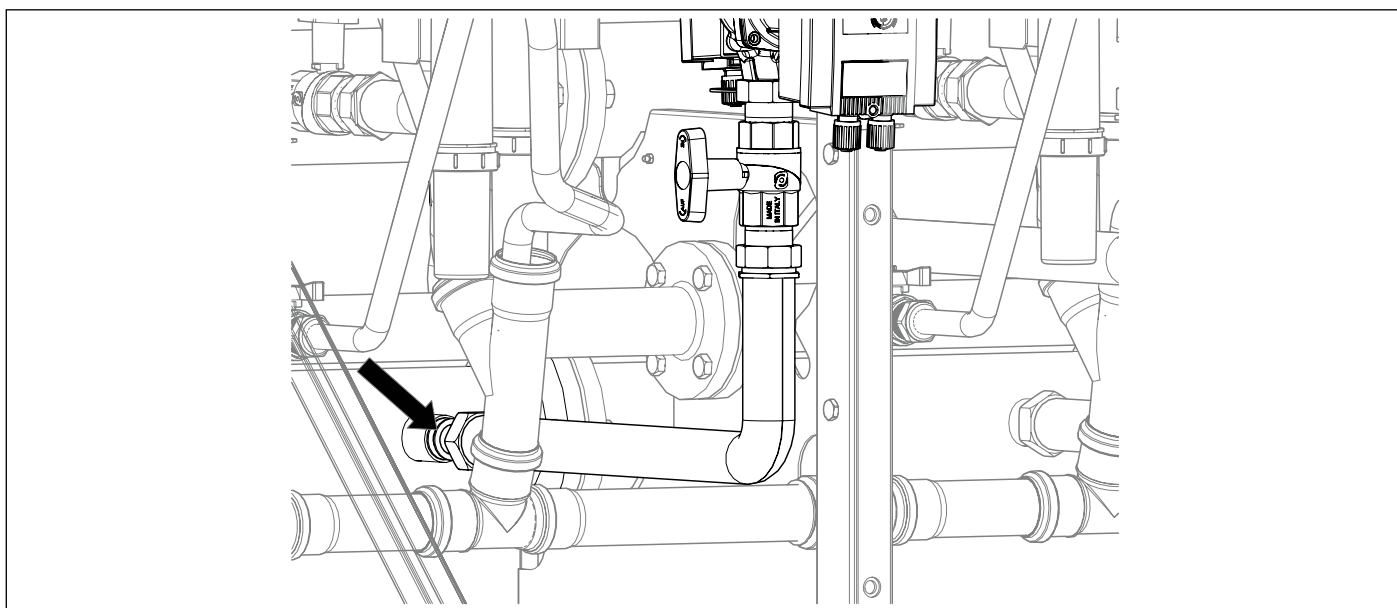
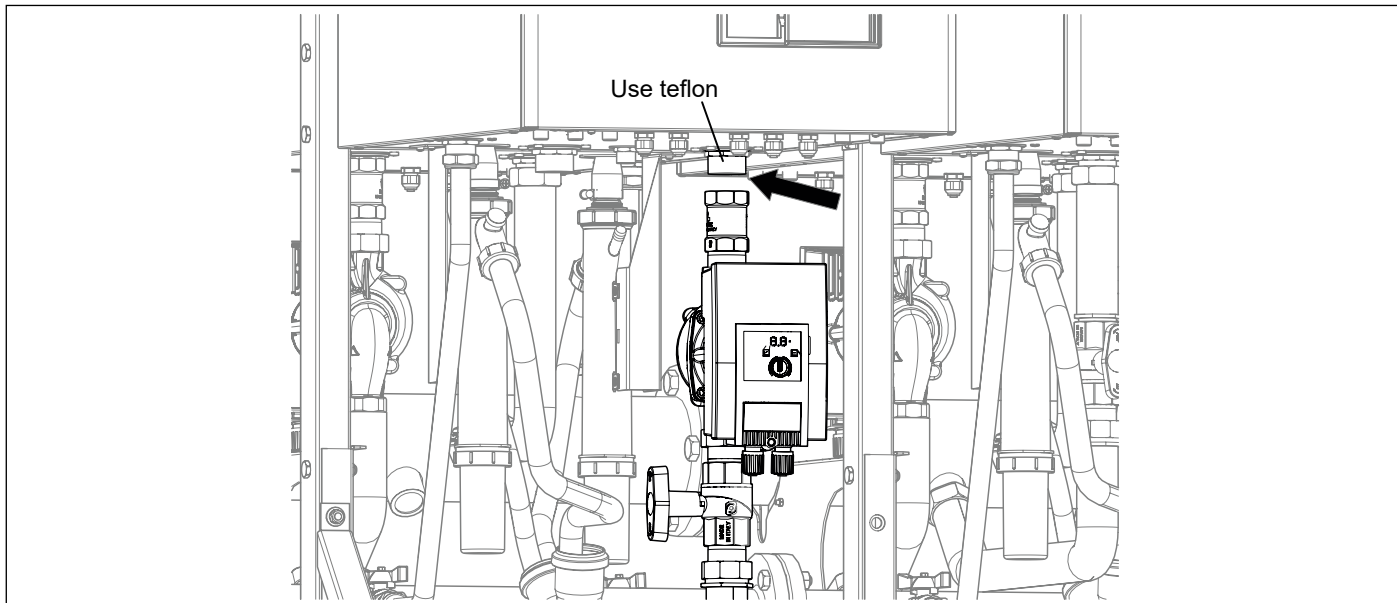


 **WARNING**

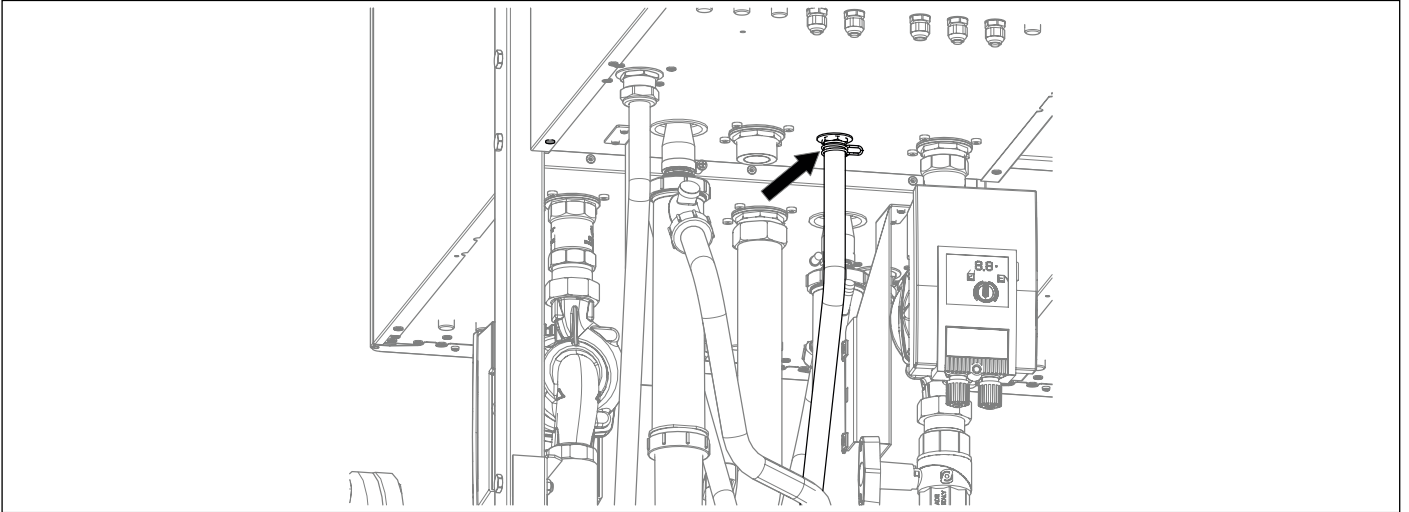
For 120 and 150 boiler models: before mounting the pump under the boiler it is necessary to mount the supplied wiring to the pump.



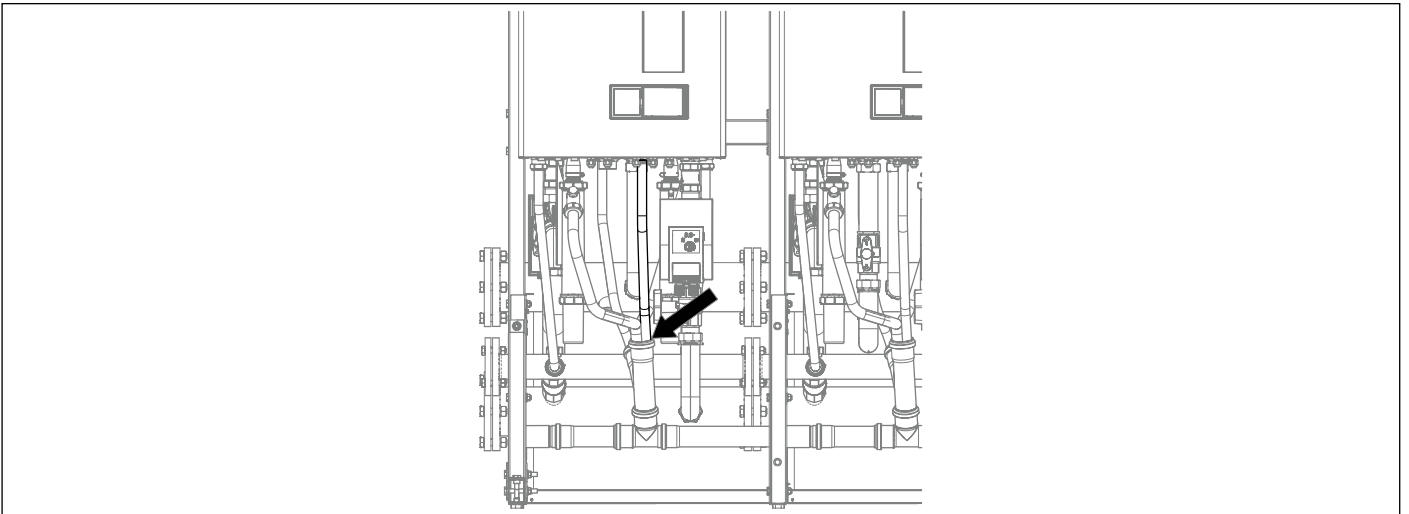
Fasten the components of the hydraulic part paying attention to the installation direction of the non return valve and the installation direction of the circulation pump.



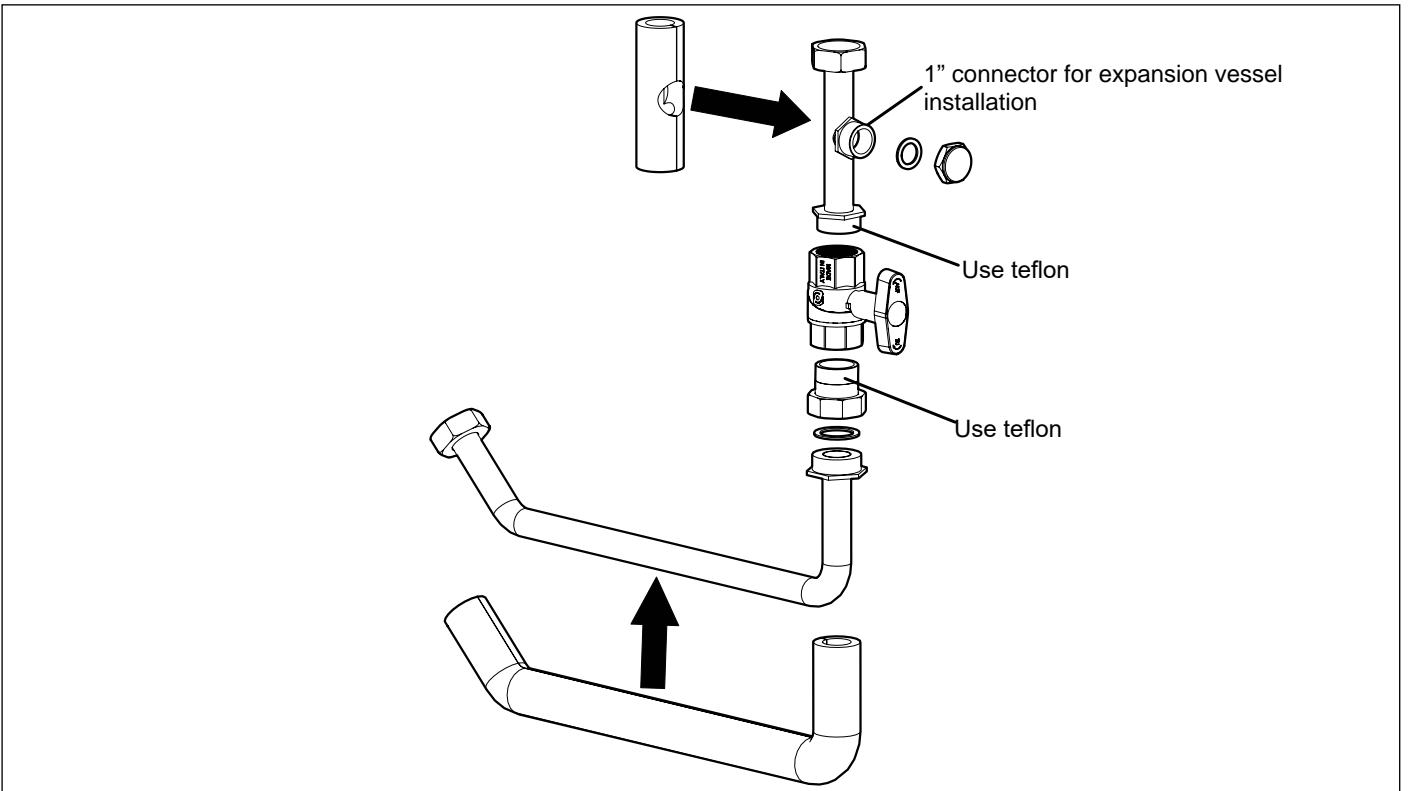
Fasten the hydraulic components between the boiler and the return collector.



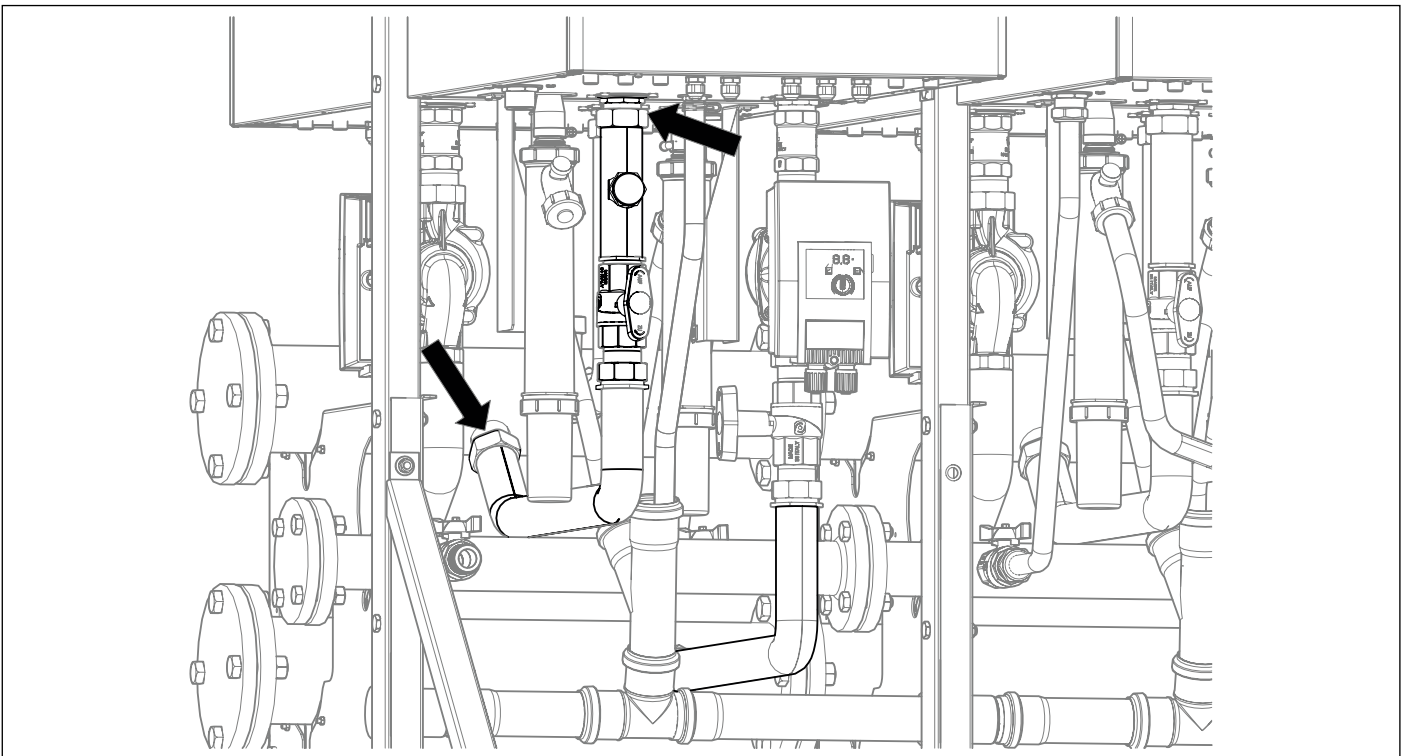
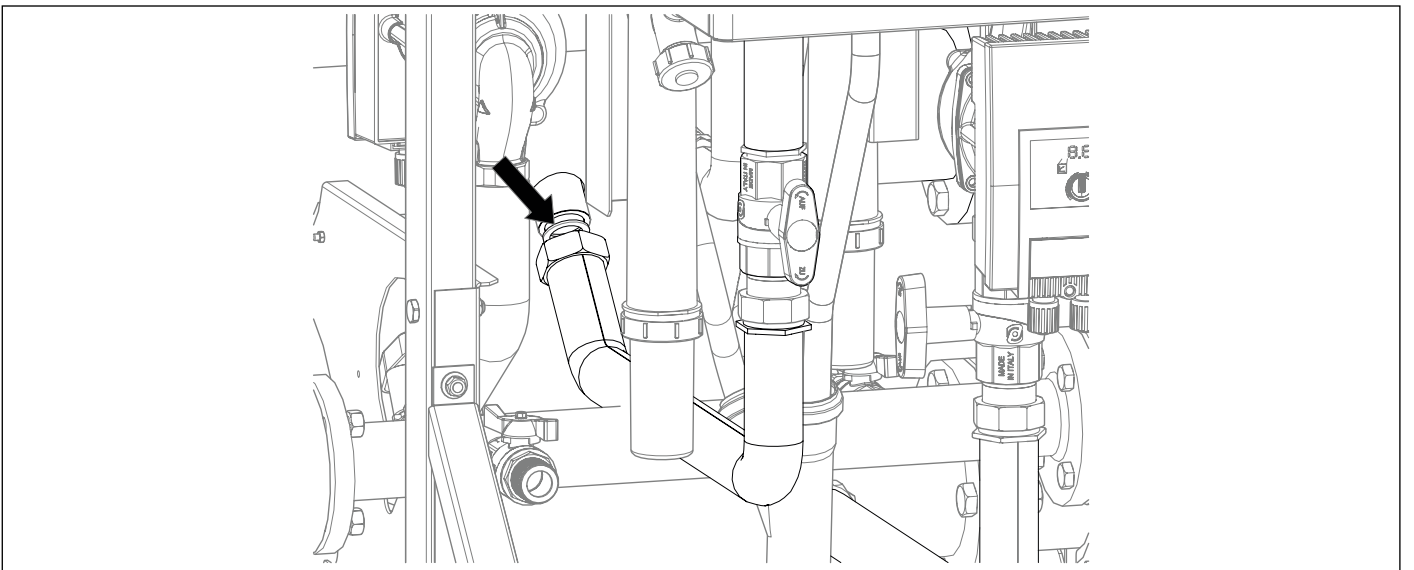
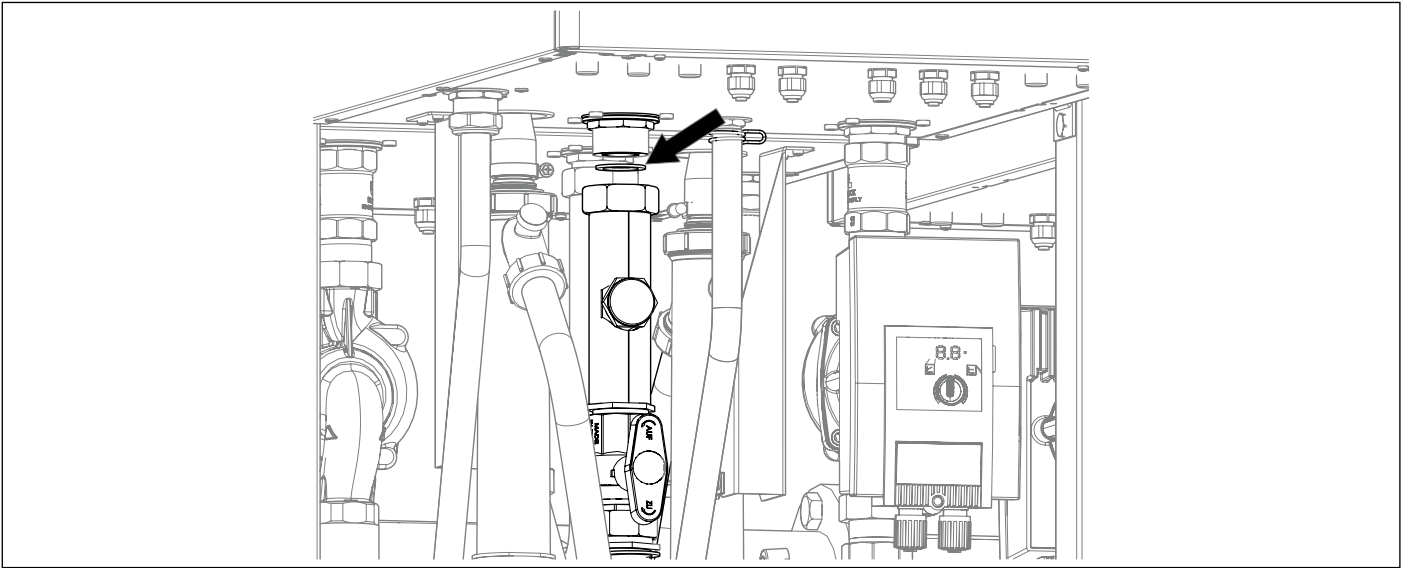
Using a clip, fasten the safety valve drain pipe to the boiler.



Insert the pipe in the condensate drain branch.



Fasten the components shown in the figure.

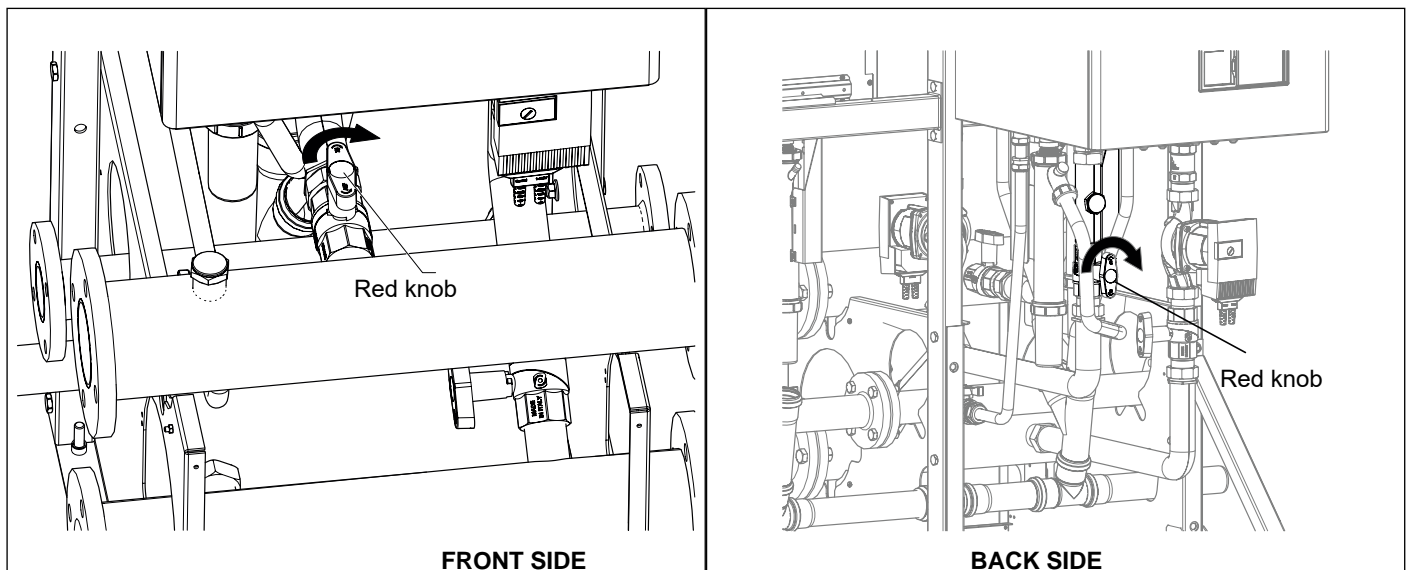
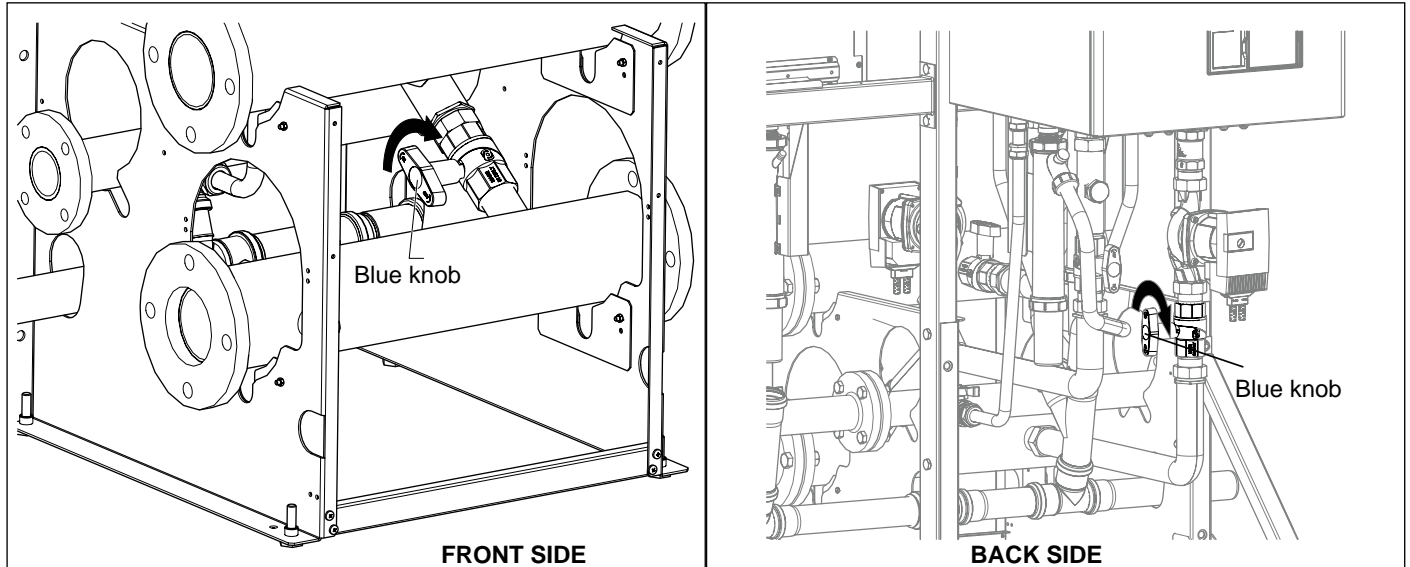


Fit the just-assembled unit to the boiler and the flow collector.

1.12 Operations to close flow and return taps

To close the flow-return circuit between collectors and boiler, proceed as follows:

- Reach the control panel of the 'Master' boiler of the cascade.
- Set the system to 'OFF' to turn off the boiler burner.
- Close the gas taps.
- Wait the end of the post-circulation step of the pumps.
- With pumps stopped, turn the taps with blue knob on the return collector - boiler return section clockwise.
- With pumps stopped, turn the taps with red knob on the flow collector - boiler flow section clockwise.
- **The knobs must be fully rotated.**
- Now the system between collectors and boiler can be considered as disconnected.



1.13 Pump matching

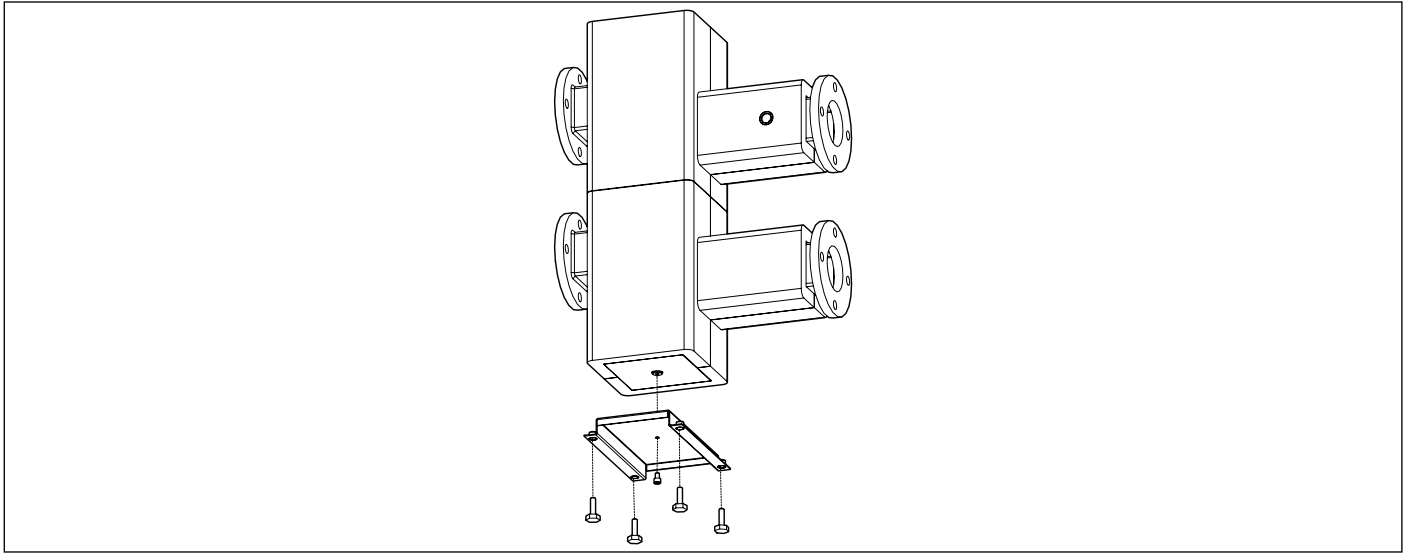
	Generator model				
	45	60	85	120	150
-					
Yonos para RS 25/7.5 PWM - 7.5 m	X	-	-	-	-
Stratos para 25-1 / 8 T10 PWM - 8 m	ok	X	-	-	-
Stratos para 25 1-11 PWM - 11 m	ok	ok	X	-	-
Yonos para HF 25 - 12 AUTO - 12 m	ok	ok	ok	X	X

Tab. 1 Pump matching

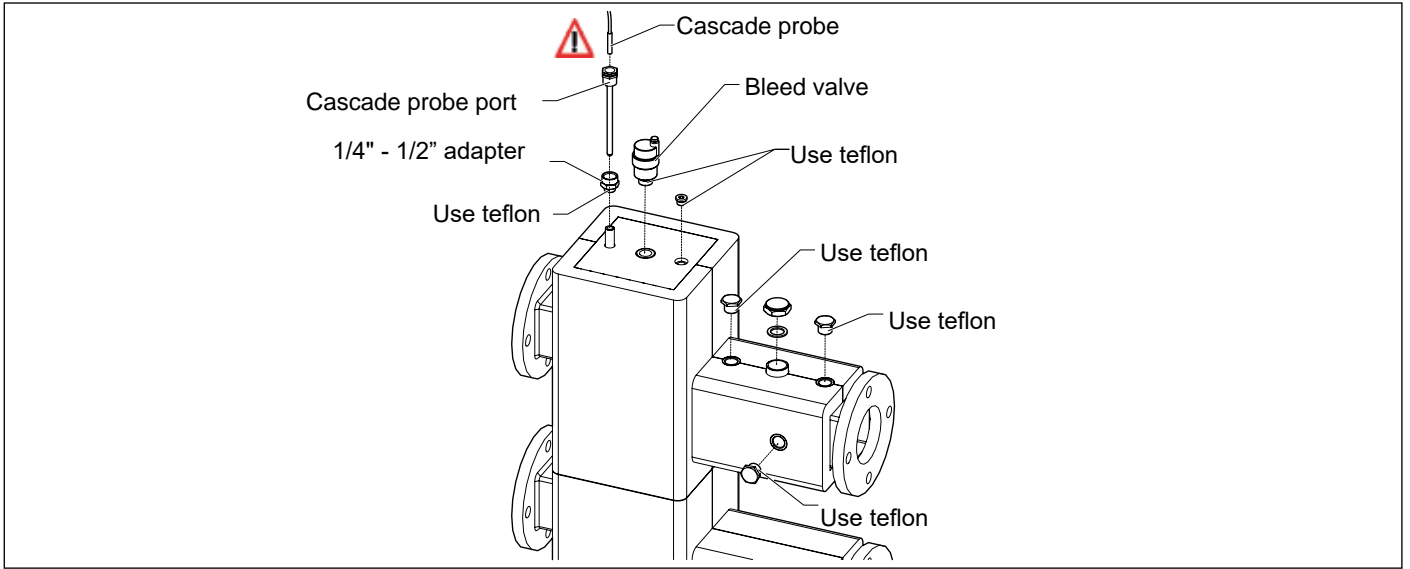
X = minimum recommended matching (standard supply with the hydraulic unit)

ok = possible matching

1.14 Assembling the hydraulic separator

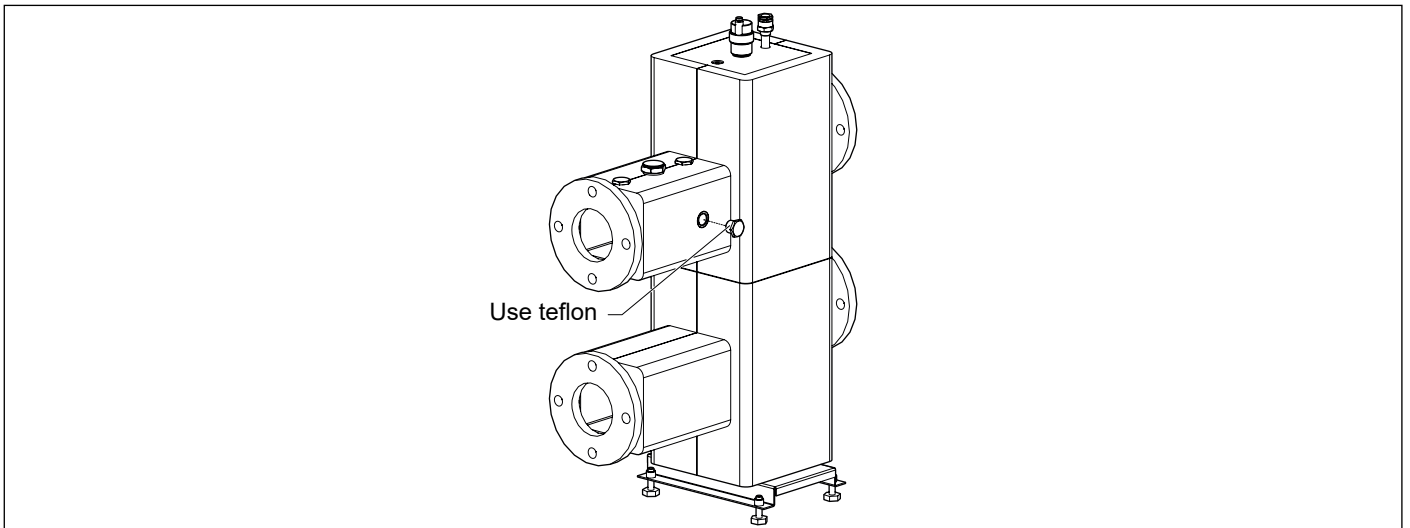


Fasten the plate with the proper screw. Screw the feet to the lower part of the hydraulic separator.

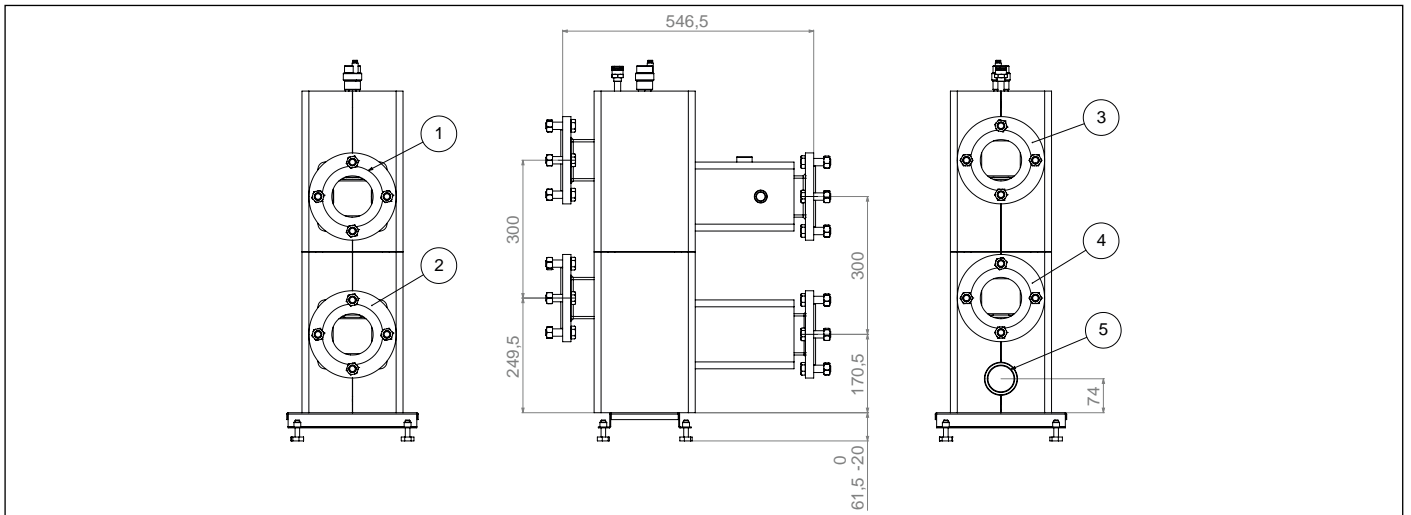


WARNING

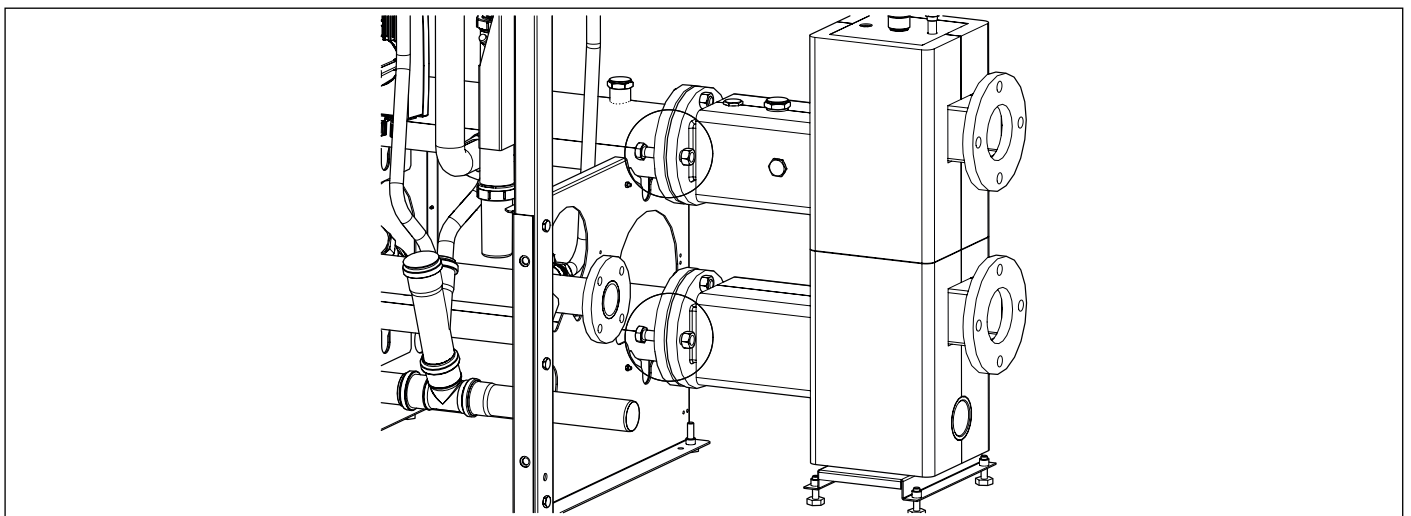
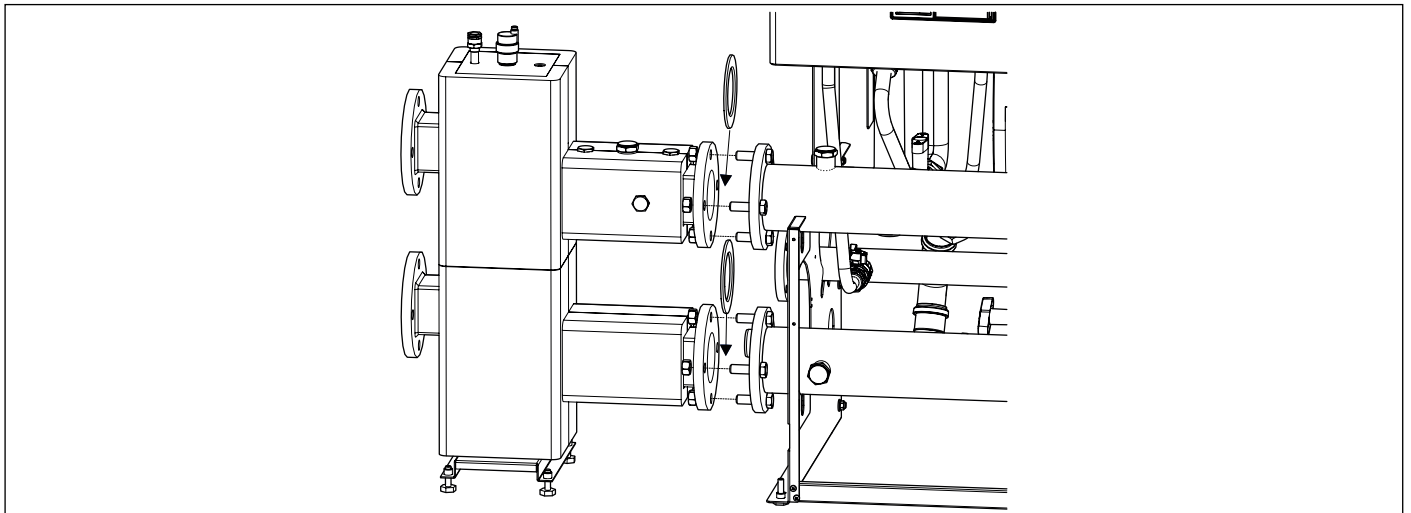
Apply conductive paste to the surface of the component sensitive element.



Fasten the components shown in the figure to the upper part of the hydraulic separator. Fasten the cap in the rear part of the hydraulic separator.

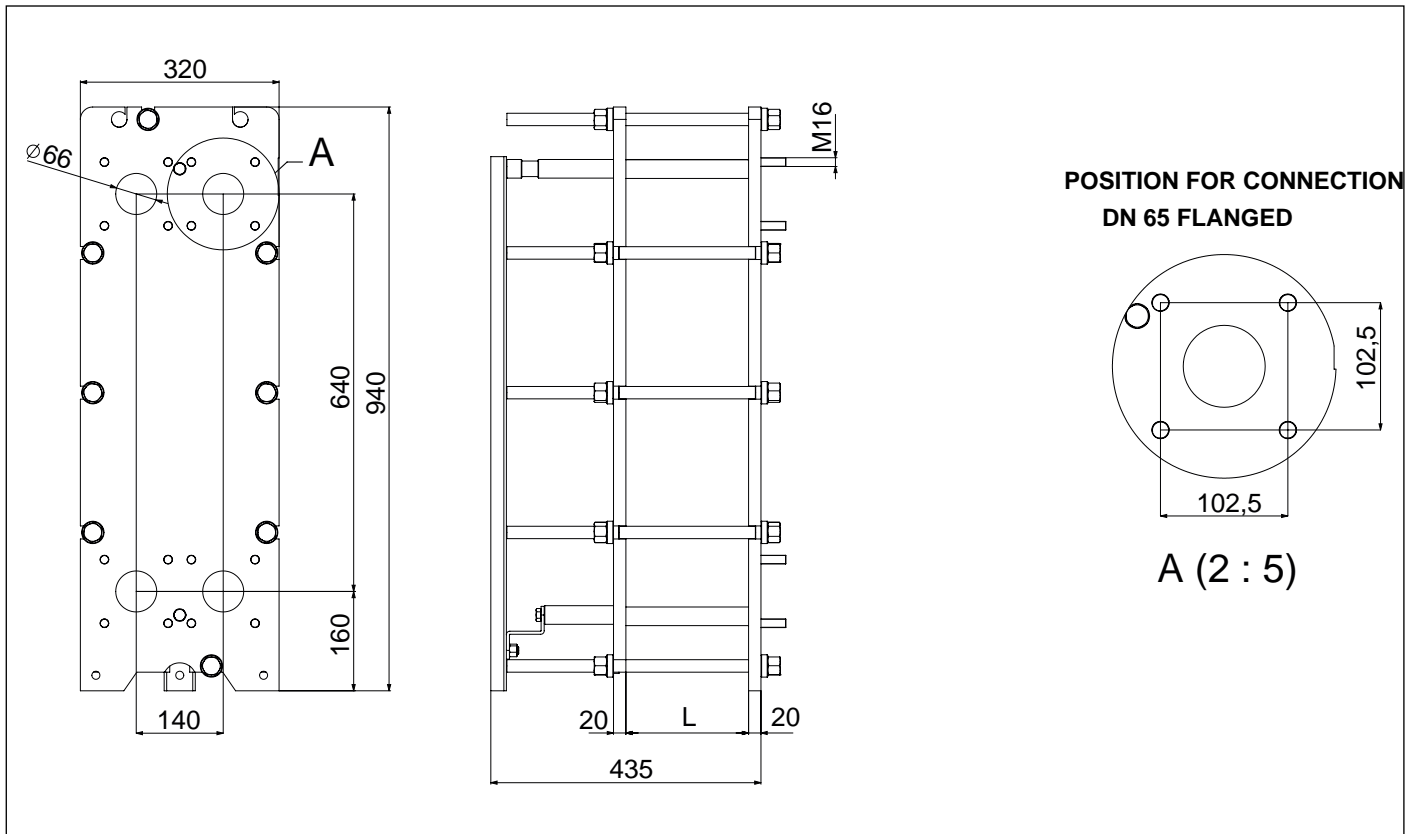


Ref	Description
1	DN 80 PN 6 CASCADE FLOW CONNECTION
2	DN 80 PN 6 CASCADE RETURN CONNECTION
3	DN 80 PN 6 SECONDARY CIRCUIT FLOW CONNECTION
4	DN 80 PN 6 SECONDARY CIRCUIT RETURN CONNECTION
5	CONNECTION FOR 1 1/2 " F DRAIN



Fasten the hydraulic separator with screws and nuts by placing the gaskets between the two flow and return collectors of the head unit.
 To align the hydraulic separator with the flow and return collector, adjust the feet fastened to its lower part.

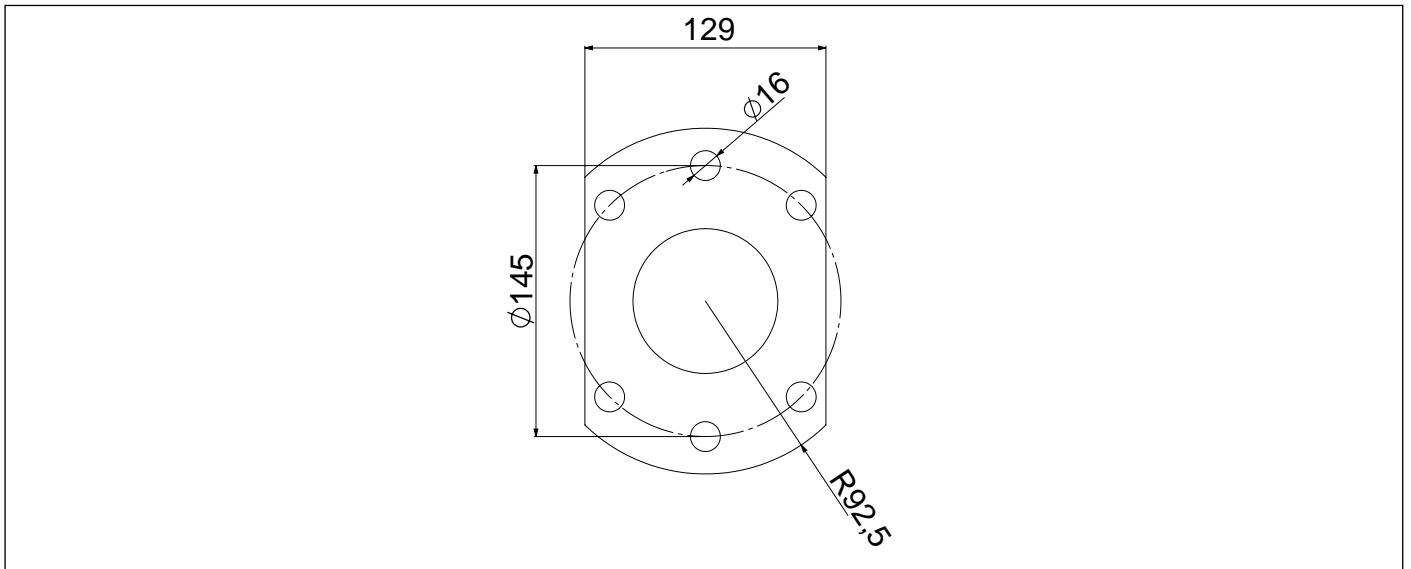
1.15 Plate exchanger technical data



ACCESSORY CODE	PLATE EXCHANGER	PLATES	TIGHTENING L VALUE	PN	PRIMARY WATER VOLUME	SECONDARY WATER VOLUME	EMPTY WEIGHT	WEIGHT AT FULL LOAD
		No.	mm	bar	l	l	kg	kg
0SCAMPPIA27	UP TO 120 KW	11	27,5	10	1,4	1,4	110	115
0SCAMPPIA28	UP TO 205 KW	21	52,5		2,79	2,79	117	124
0SCAMPPIA29	UP TO 300 KW	27	67,5		3,63	3,63	121	130
0SCAMPPIA30	UP TO 360 KW	35	87,5		4,74	4,74	128	140
0SCAMPPIA31	UP TO 450 KW	41	102,5		5,58	5,58	133	146
0SCAMPPIA32	UP TO 540 KW	51	127,5		6,98	6,98	141	157
0SCAMPPIA33	UP TO 600 KW	57	142,5		7,81	7,81	145	163
0SCAMPPIA34	UP TO 690 KW	63	157,5		8,65	8,65	151	171
0SCAMPPIA35	UP TO 780 KW	71	177,5		9,76	9,76	157	179
0SCAMPPIA36	UP TO 900 KW	79	197,5		10,88	10,88	163	187

ACCESSORY CODE	PLATE EXCHANGER	EXCHANGE SURFACE	PRIMARY		SECONDARY		ΔP	
			IN	OUT	IN	OUT	PRIMARY	SECONDARY
		m ²	°C	°C	°C	°C	kPa	kPa
0SCAMPPIA27	UP TO 120 KW	1,35	80	60	50	70	20	20
0SCAMPPIA28	UP TO 205 KW	2,85						
0SCAMPPIA29	UP TO 300 KW	3,75						
0SCAMPPIA30	UP TO 360 KW	4,95					21	21
0SCAMPPIA31	UP TO 450 KW	5,85						
0SCAMPPIA32	UP TO 540 KW	7,35						
0SCAMPPIA33	UP TO 600 KW	8,25						
0SCAMPPIA34	UP TO 690 KW	9,15					25	25
0SCAMPPIA35	UP TO 780 KW	10,35						
0SCAMPPIA36	UP TO 900 KW	11,55						
							27	27
							34	34

Tab. 2 Plate exchanger dimensions

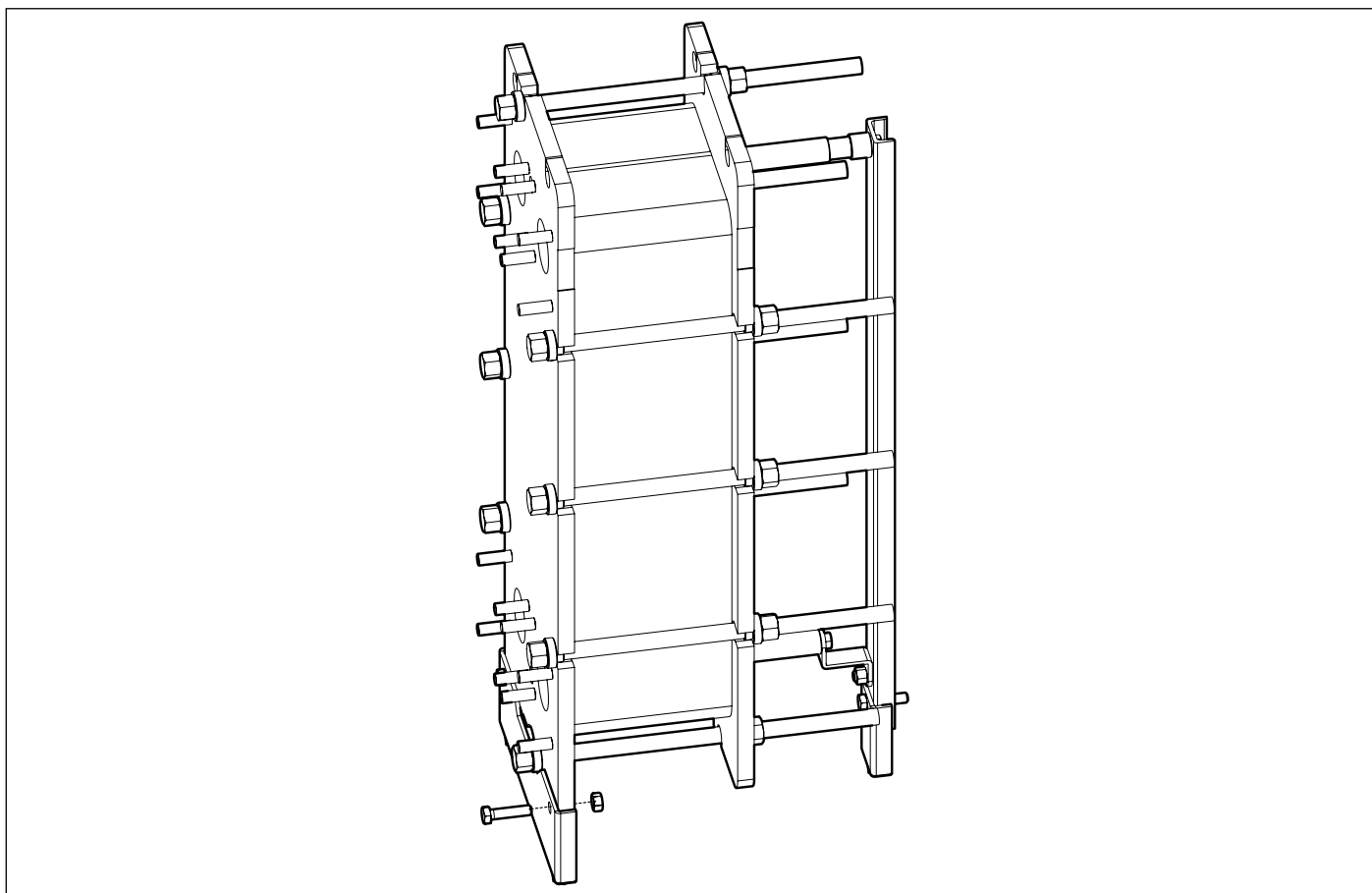
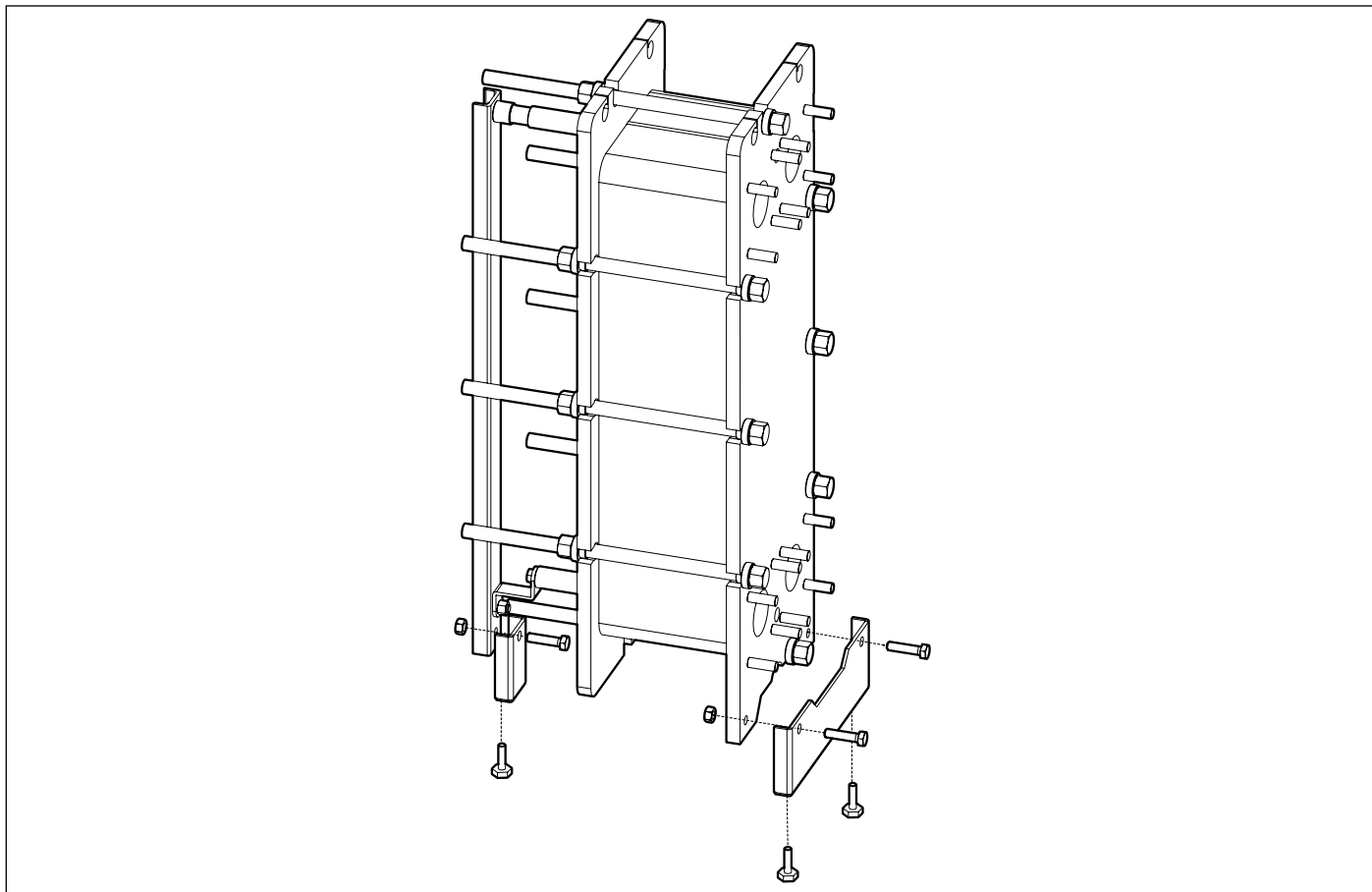


WARNING

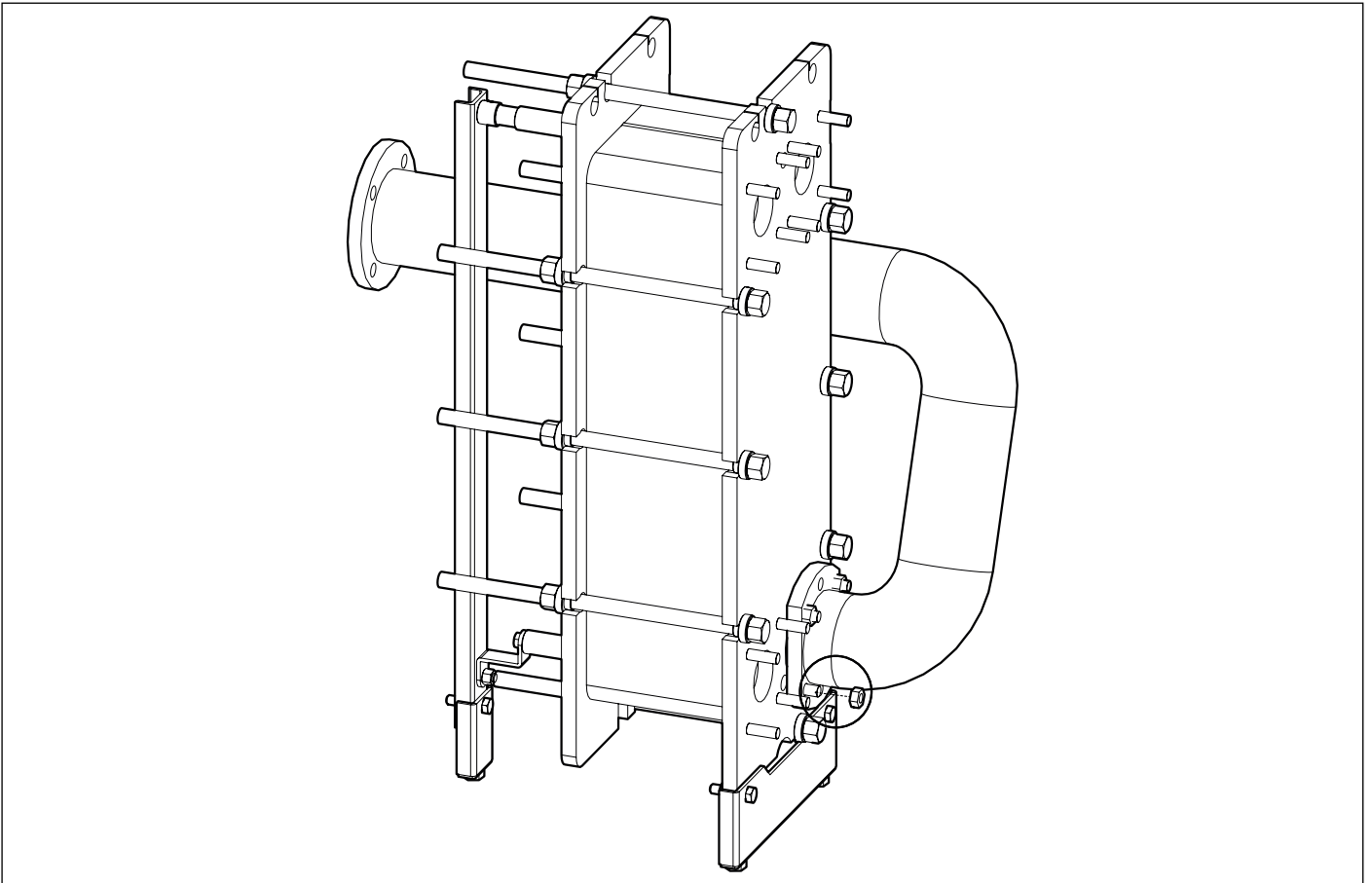
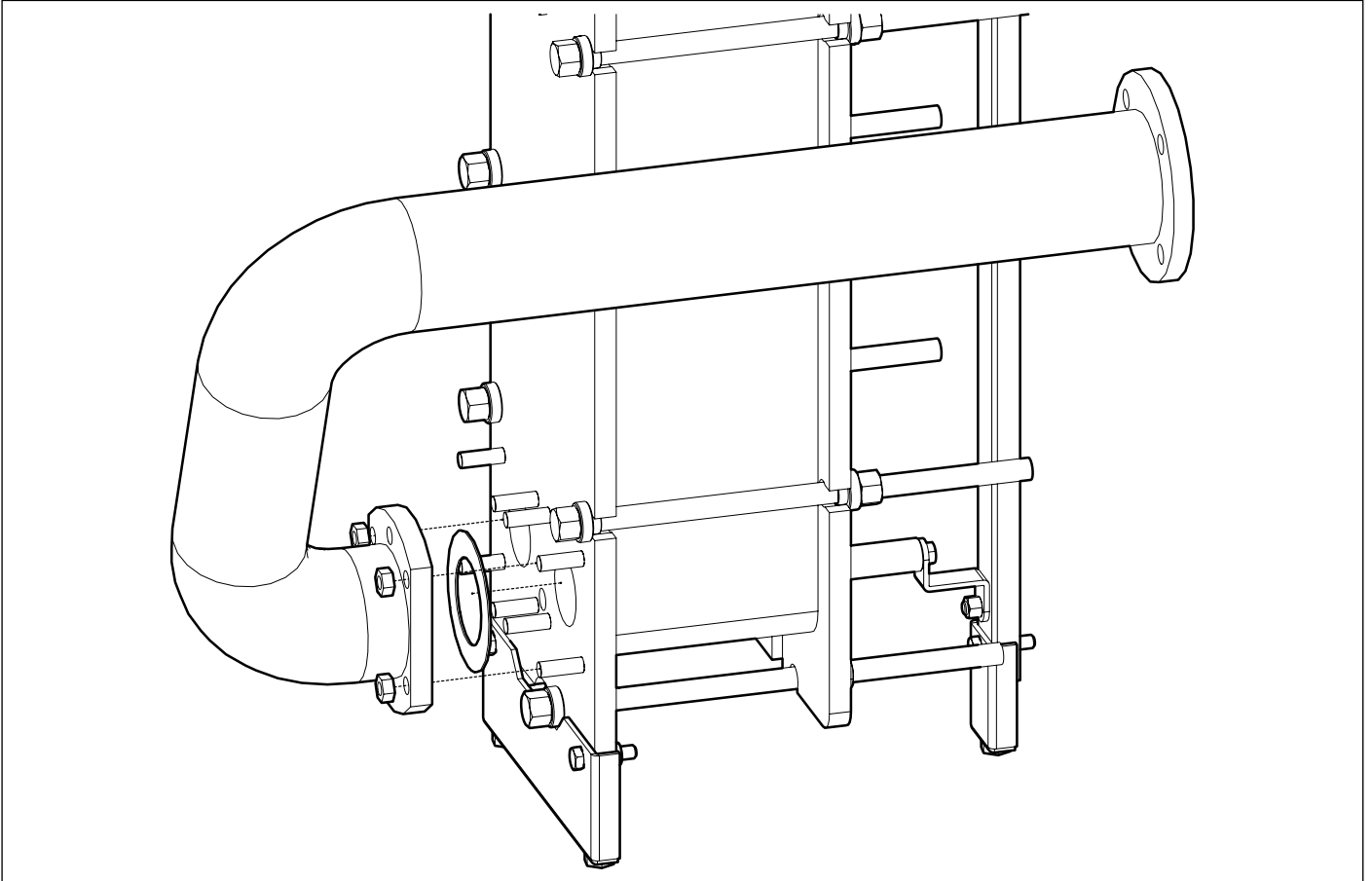
DUE TO THE COMPACT DIMENSIONS, TO CONNECT THE FLANGES TO THE EXCHANGER IT IS NECESSARY TO LATERALLY CUT THE FLANGES AS SHOWN IN THE FIGURE ABOVE, FONDITAL CONNECTION ACCESSORIES ARE PRESET TO THIS PURPOSE.

MATERIALS AND CONNECTIONS	
Frame	P355NH
Plates	AISI304
Gaskets	EPDM
Primary connections	P355NH
Secondary connections	P355NH
Tie rods	A193B7
Plate thickness [mm]	0,5
Primary and secondary connections	Flanged DN 65 – M16 tie rods

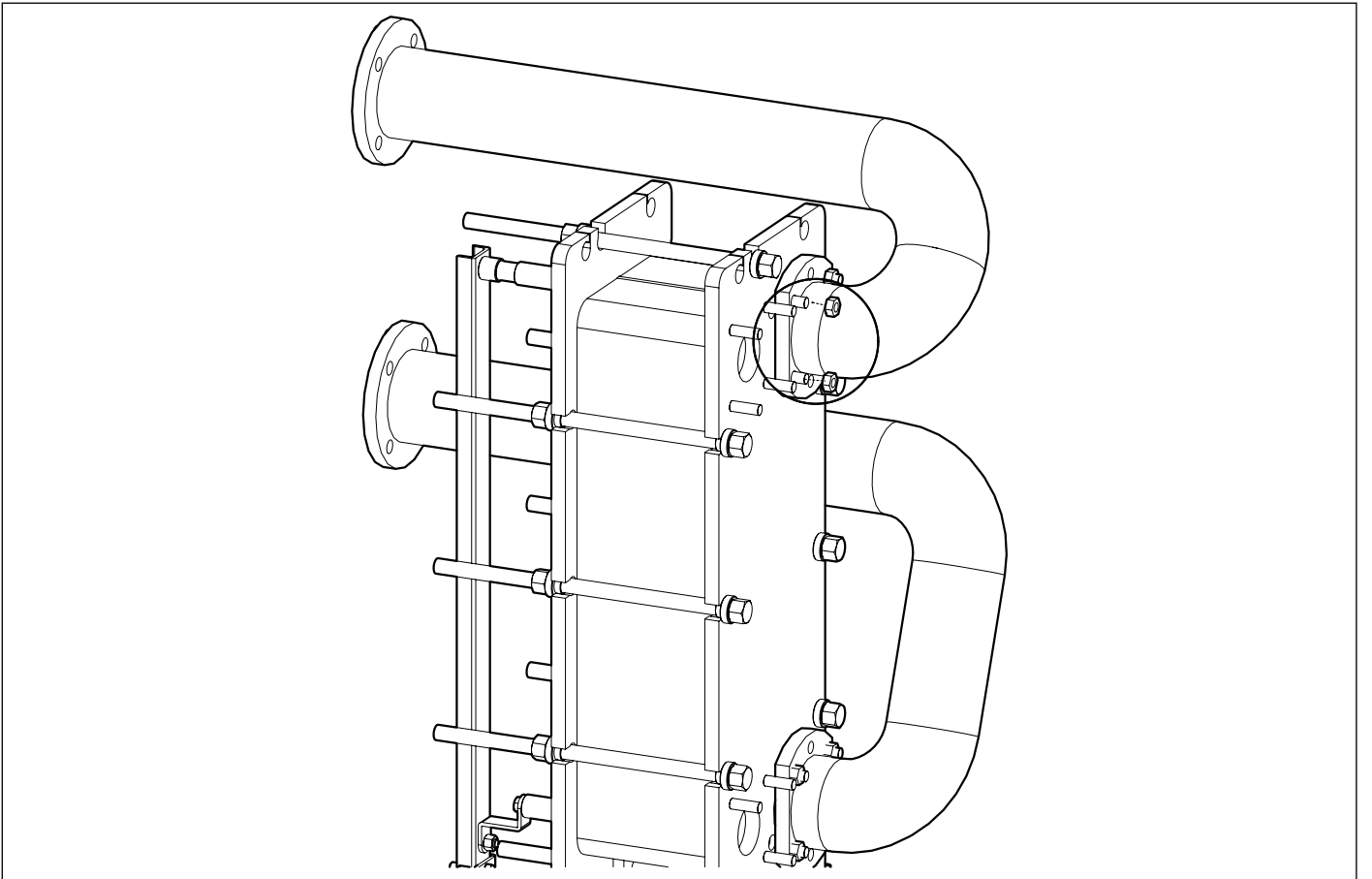
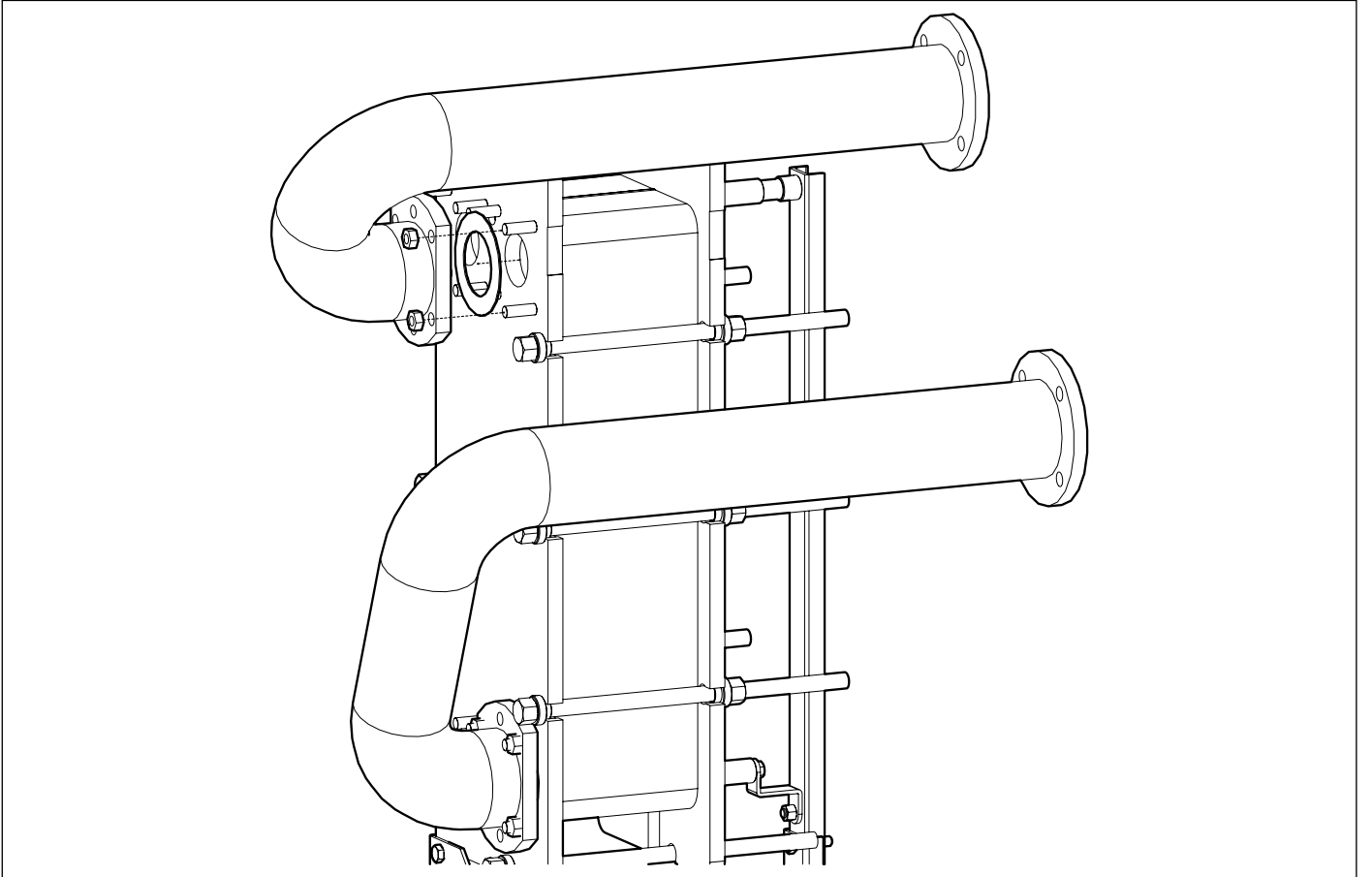
1.16 Assembling the plate exchanger



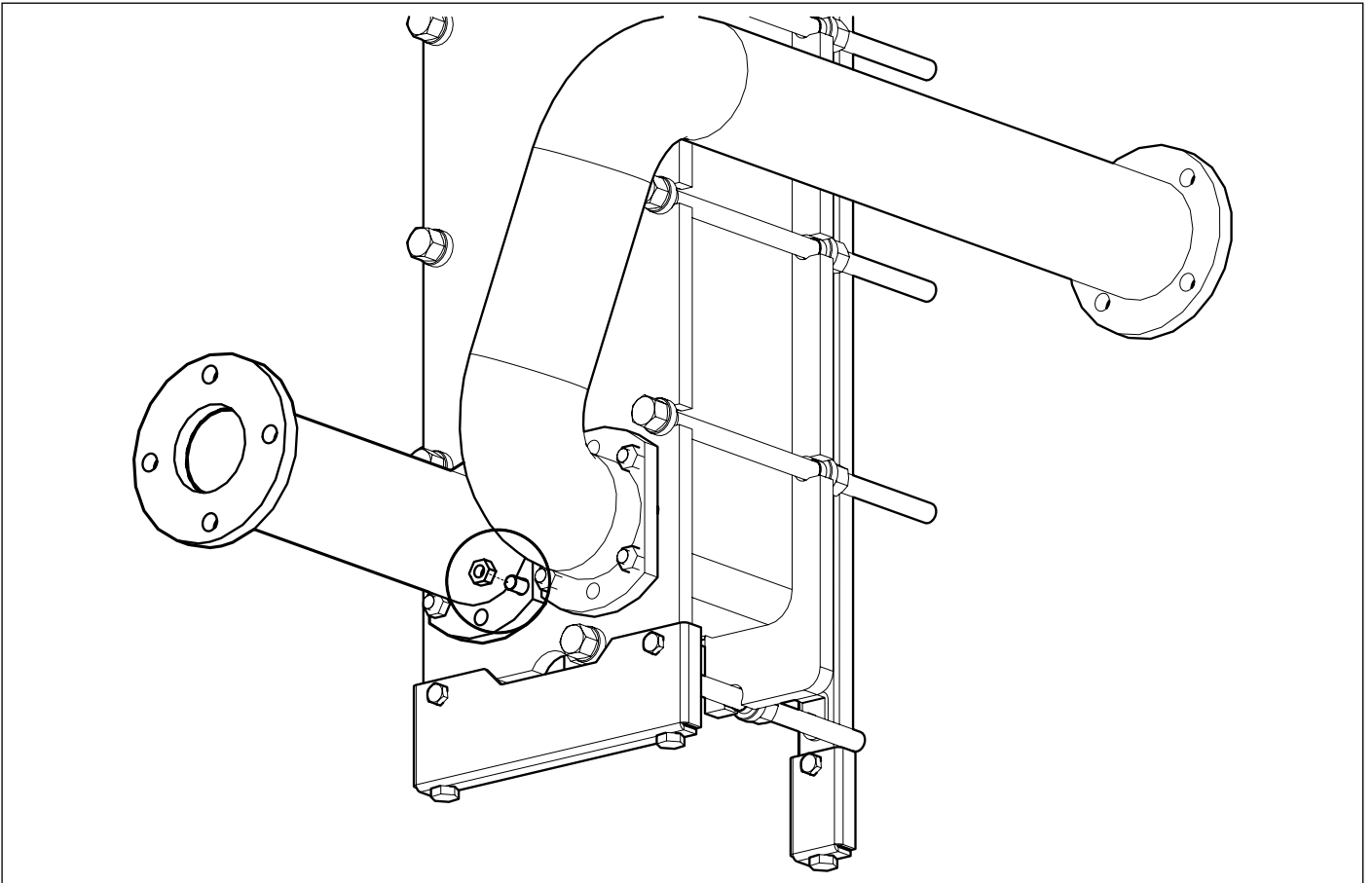
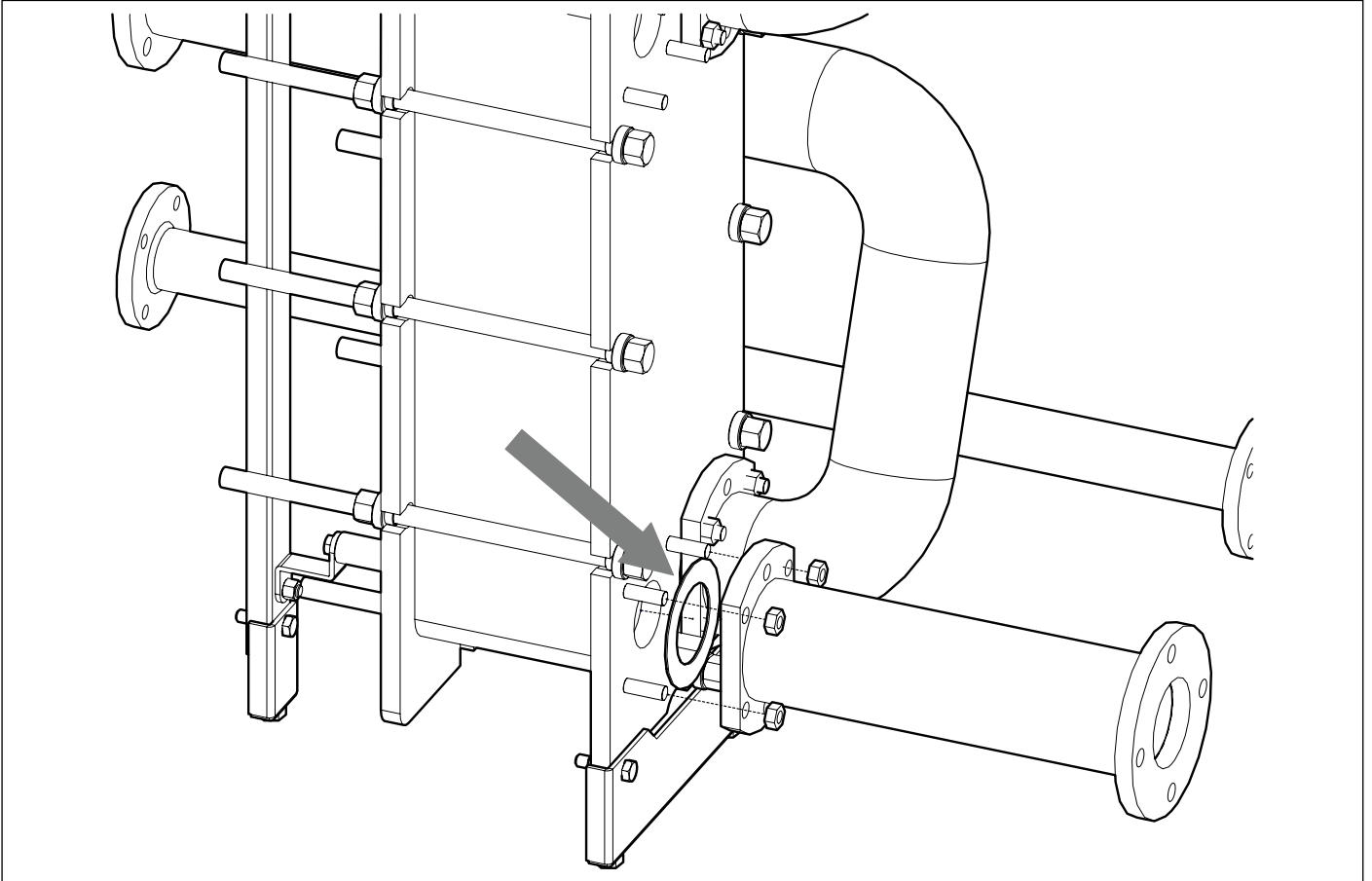
Fasten the plates with screws and nuts. Screw the feet to the lower part of the exchanger.



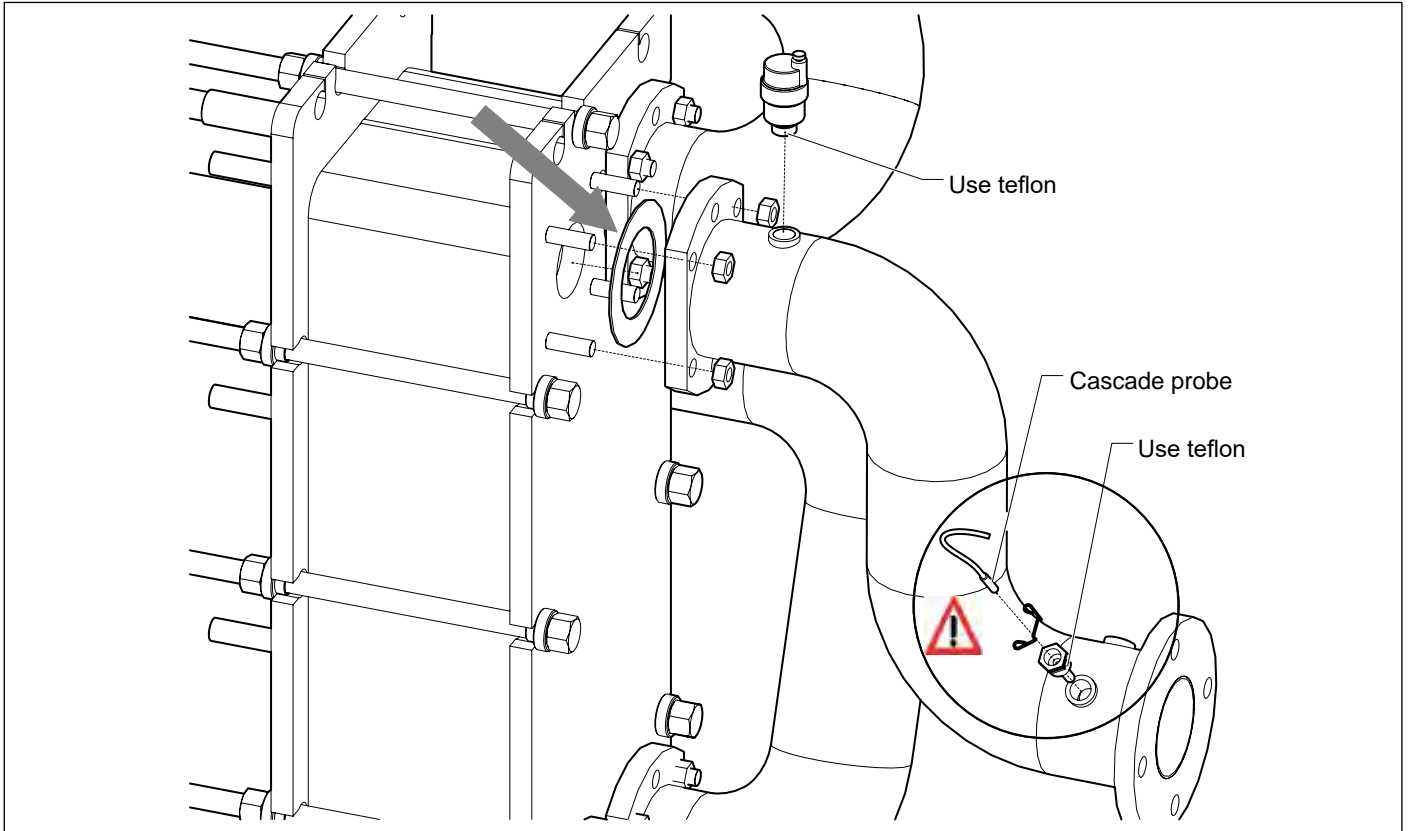
Fasten the secondary system return collector (optional) with screws and nuts by placing the gasket between collector and plate exchanger.



Fasten the secondary system flow collector (optional) with screws and nuts by placing the gasket between collector and plate exchanger.

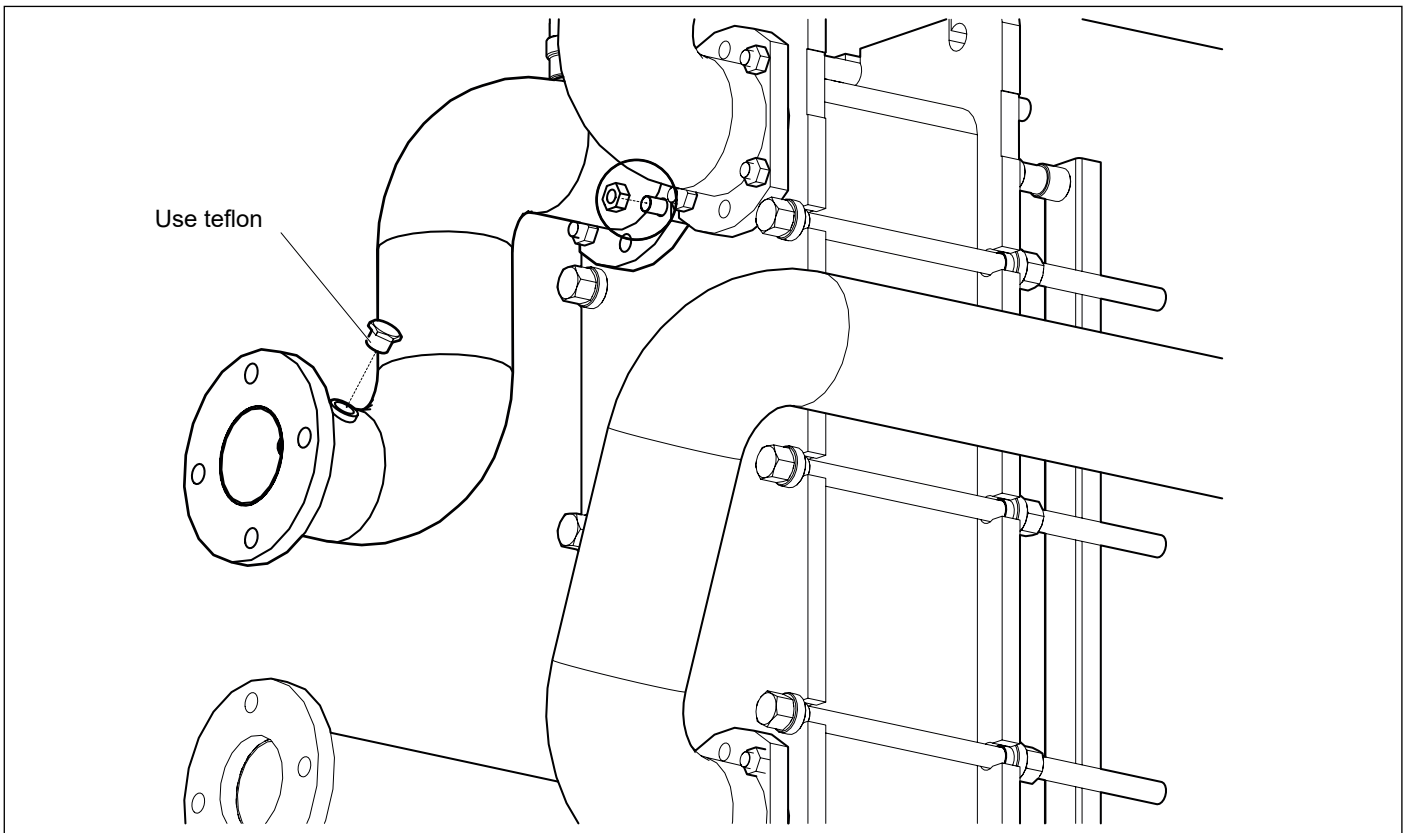


Fasten the boiler return collector with screws and nuts by placing the gasket between collector and plate exchanger.

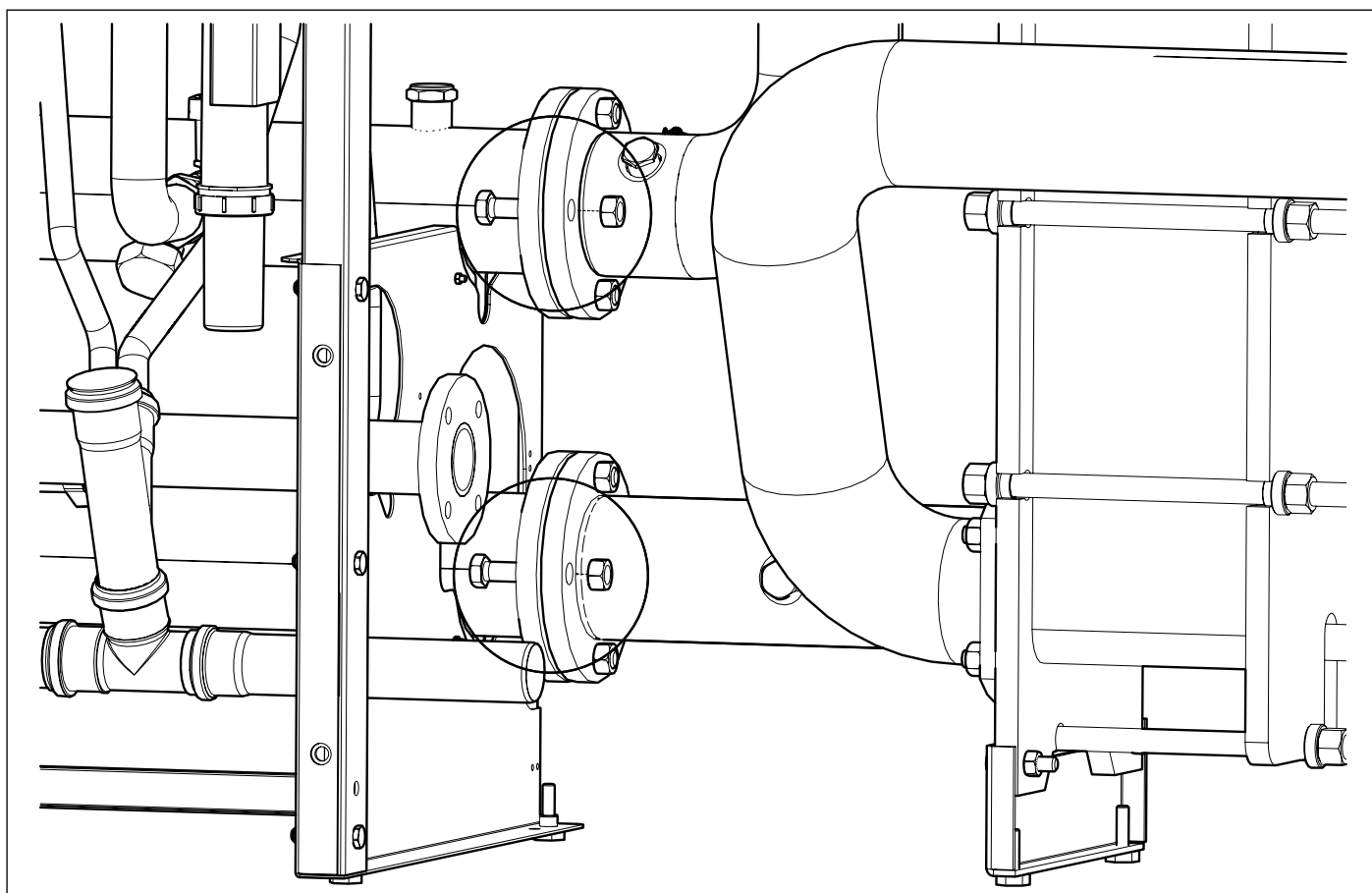
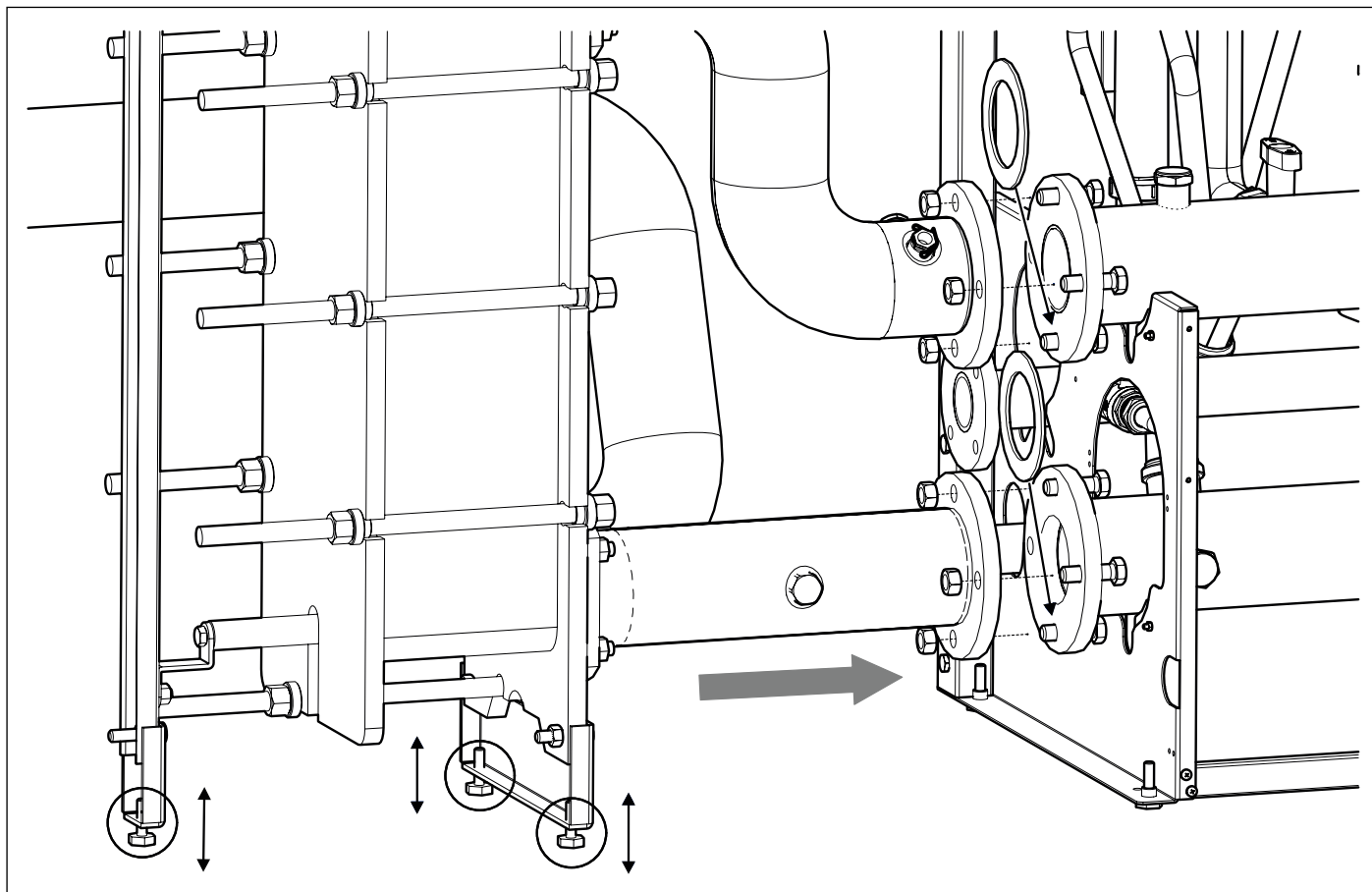


WARNING

APPLY CONDUCTIVE PASTE TO THE SURFACE OF THE COMPONENT SENSITIVE ELEMENT



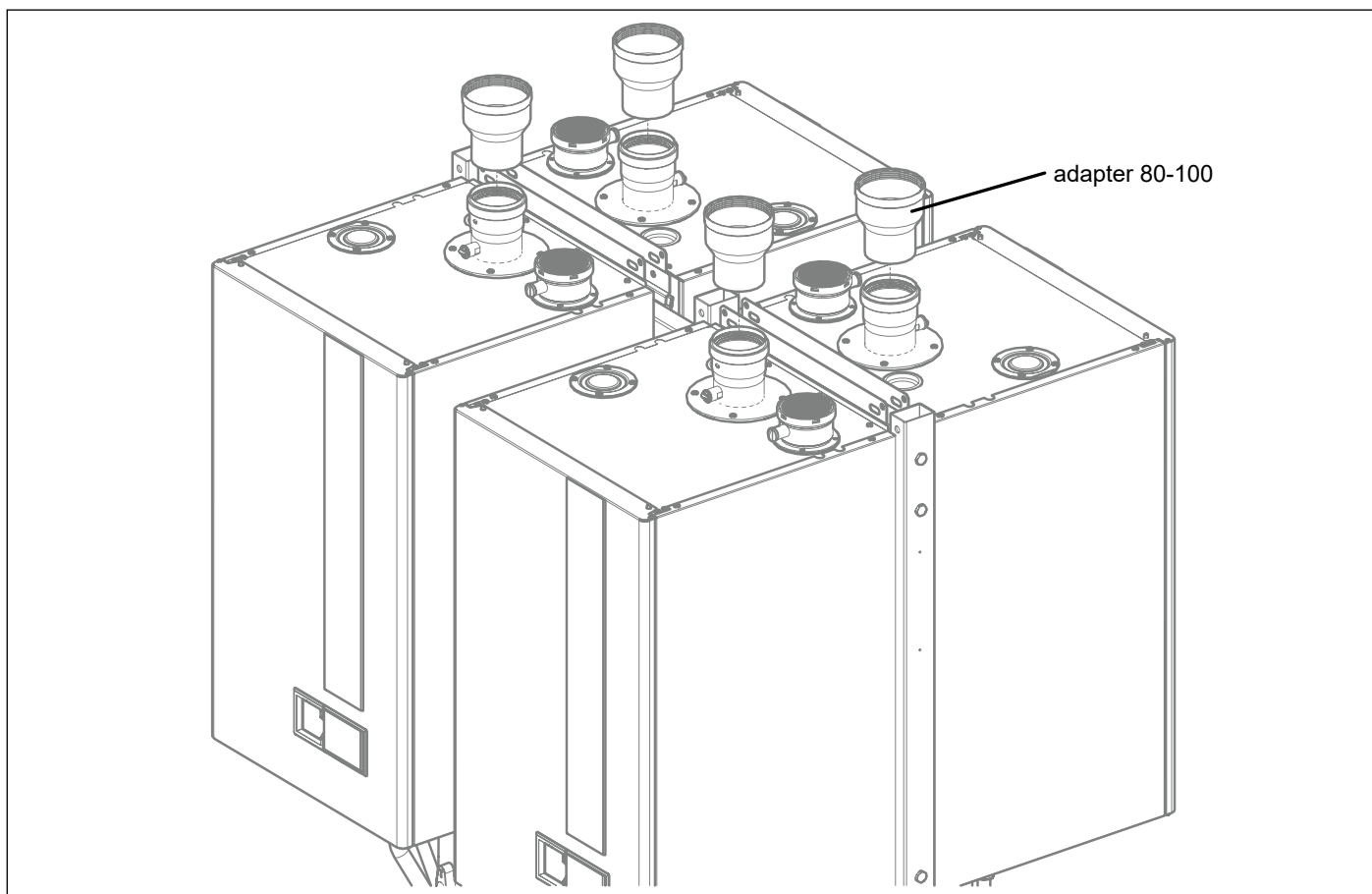
Fasten the boiler flow collector with screws and nuts by placing the gasket between collector and plate exchanger.
 Fasten the components shown in the figure to the upper part of the collector.
 Fasten the cap in the rear part of the collector.



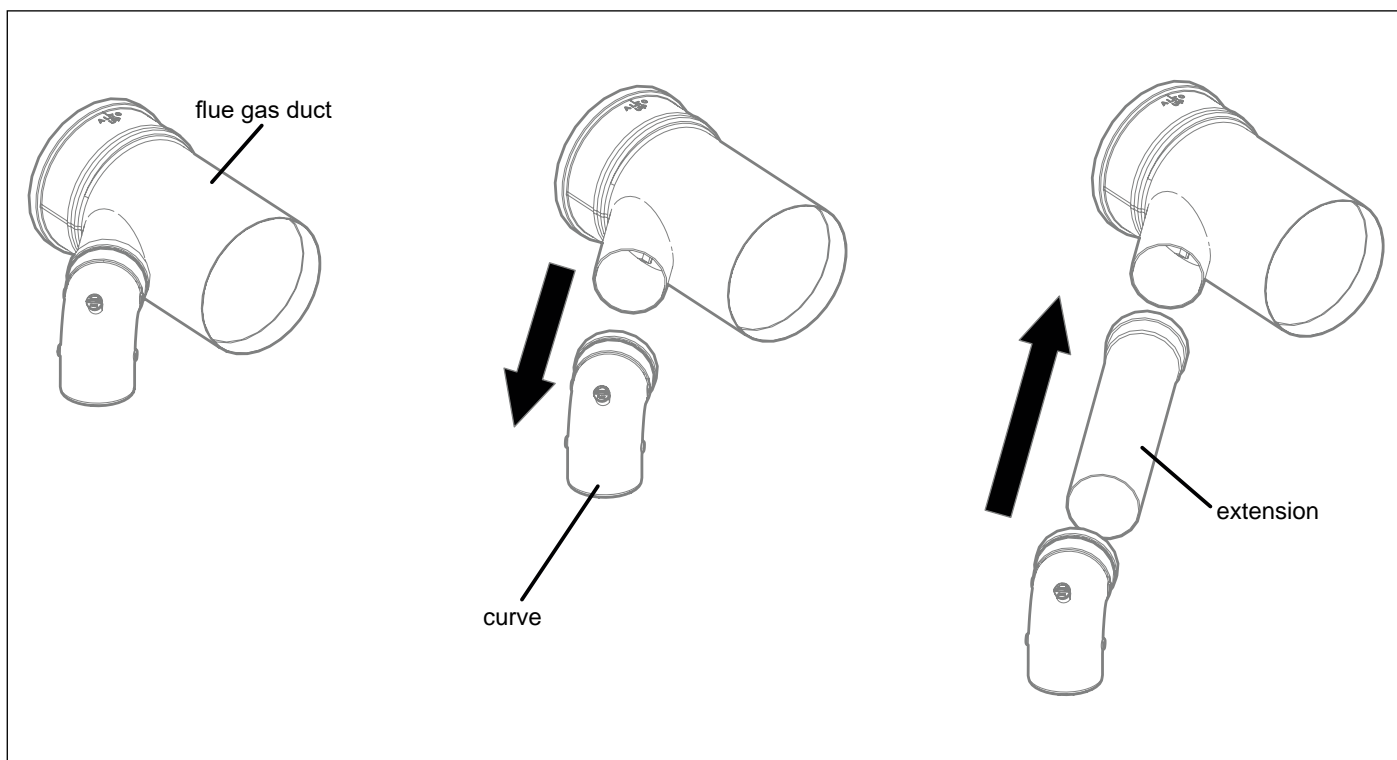
Fasten the collectors with screws and nuts by placing the gasket between collectors of the hydraulic unit and collectors of the plate exchanger.

To align collectors of the plate exchanger and collectors of the head hydraulic unit, adjust the feet fastened to the lower part of the exchanger.

1.17 Flue gas collector assembly and configuration tables



For boiler models from 45 to 85, the 80-100 adapter shown in the image must be installed.



To install the flue gas duct to the boilers on the back side, remove the curve and insert the extension shown in the image.

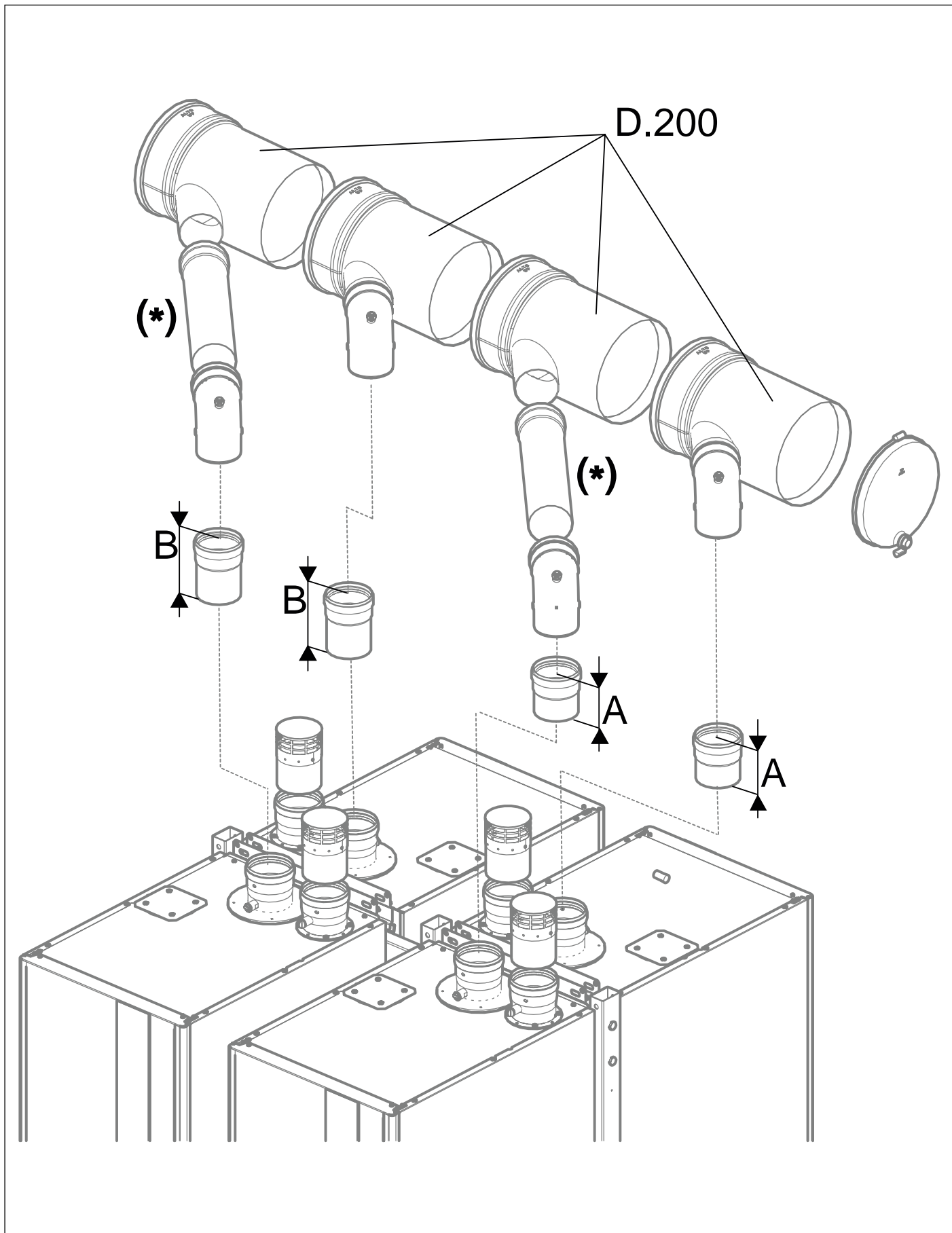


Fig. 13 Installation of the flue gas duct of models 120-150 (2+2 configuration)

(*) it is necessary to install the extension shown in the image.

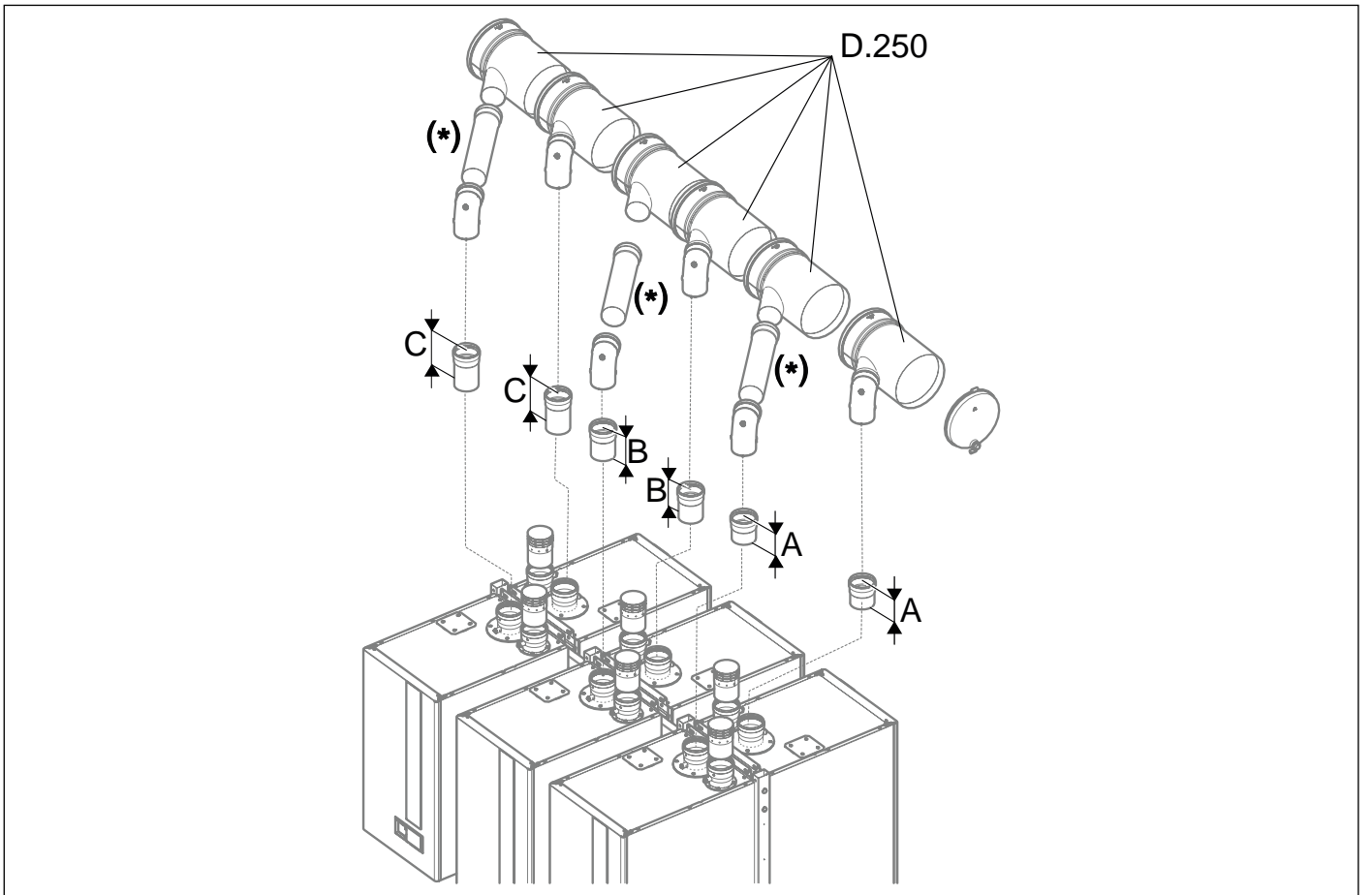


Fig. 14 Installation of the flue gas duct of models 120-150 (3+3 configuration)

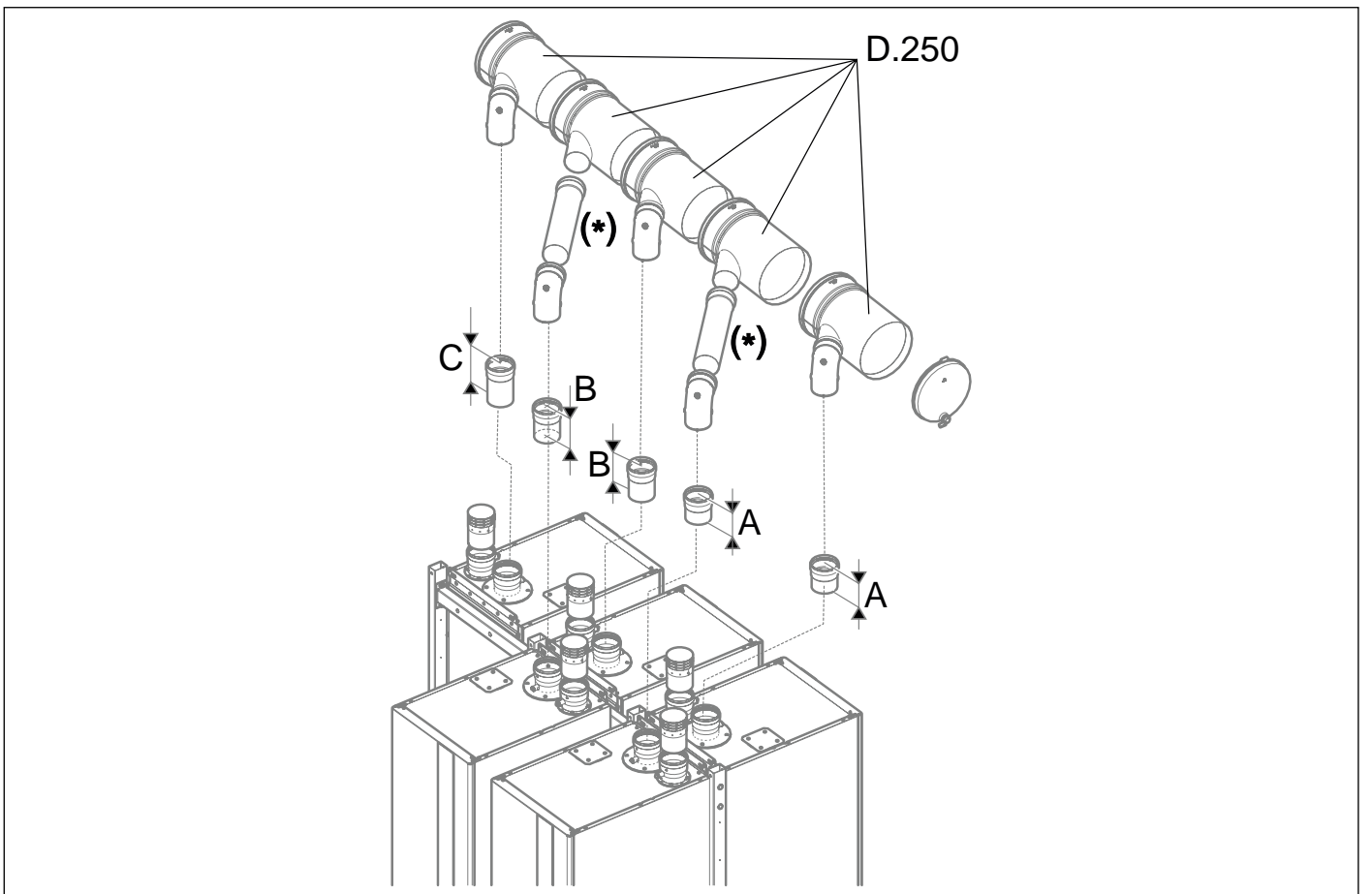


Fig. 15 Installation of the flue gas duct of models 120-150 (3+2 configuration)

(*) it is necessary to install the extension shown in the image.

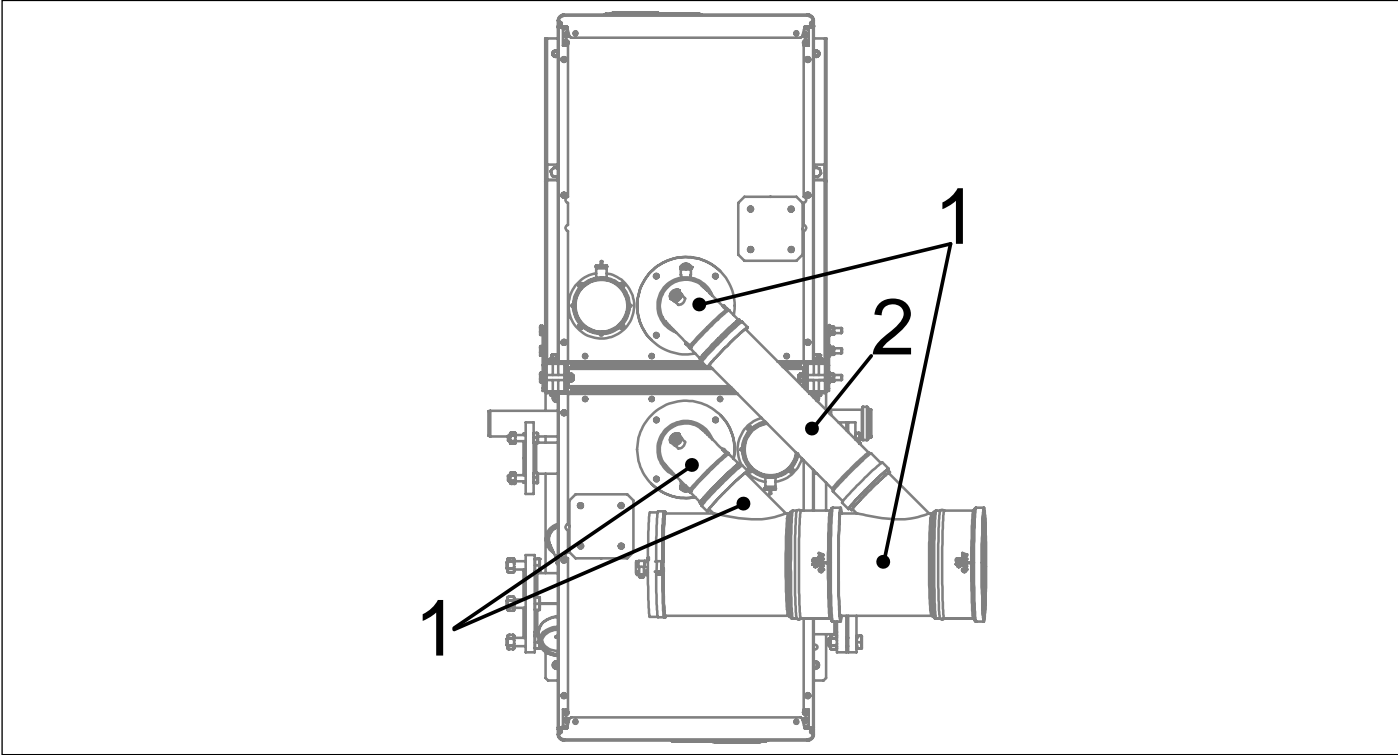


Fig. 16 Configuration 1+1

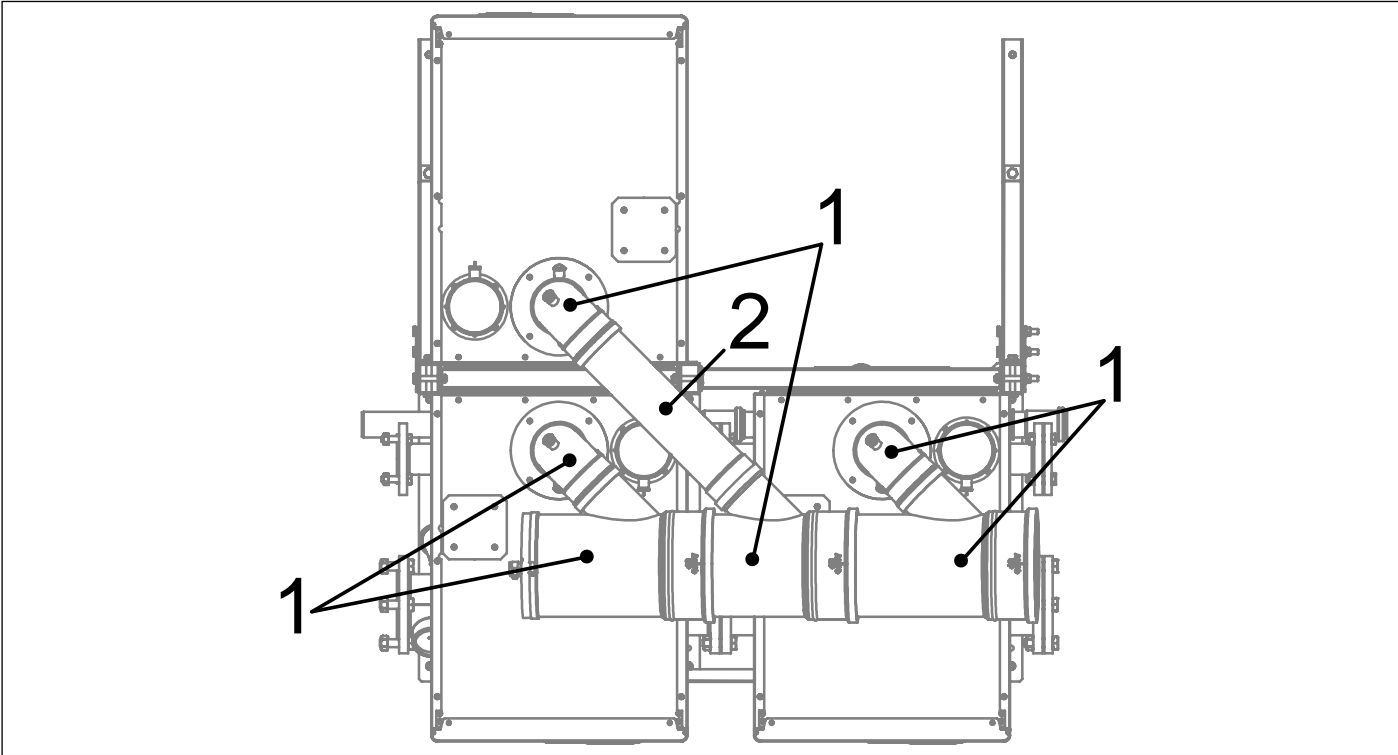


Fig. 17 Configuration 2+1

1 = FLUE GAS DUCT WITH CONNECTION
2 = FLUE GAS EXTENSION D 100

SEE CONFIGURATION FROM PAGE 69 A 73 FOR FLUE GAS VENT COMPONENTS.

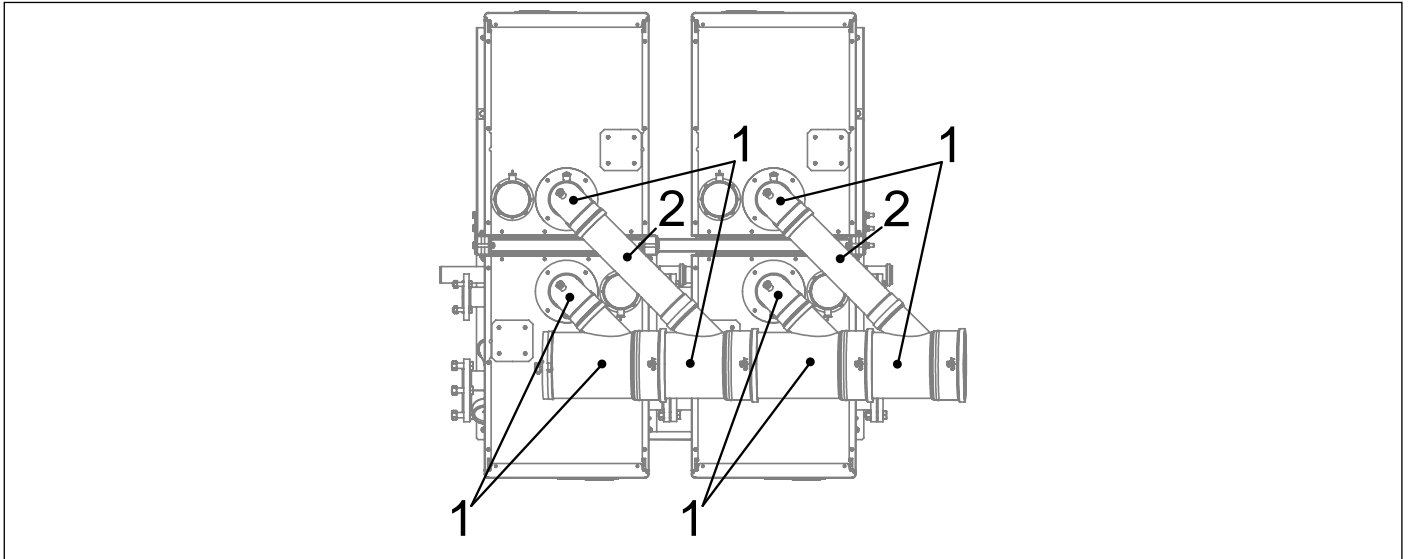


Fig. 18 Configuration 2+2

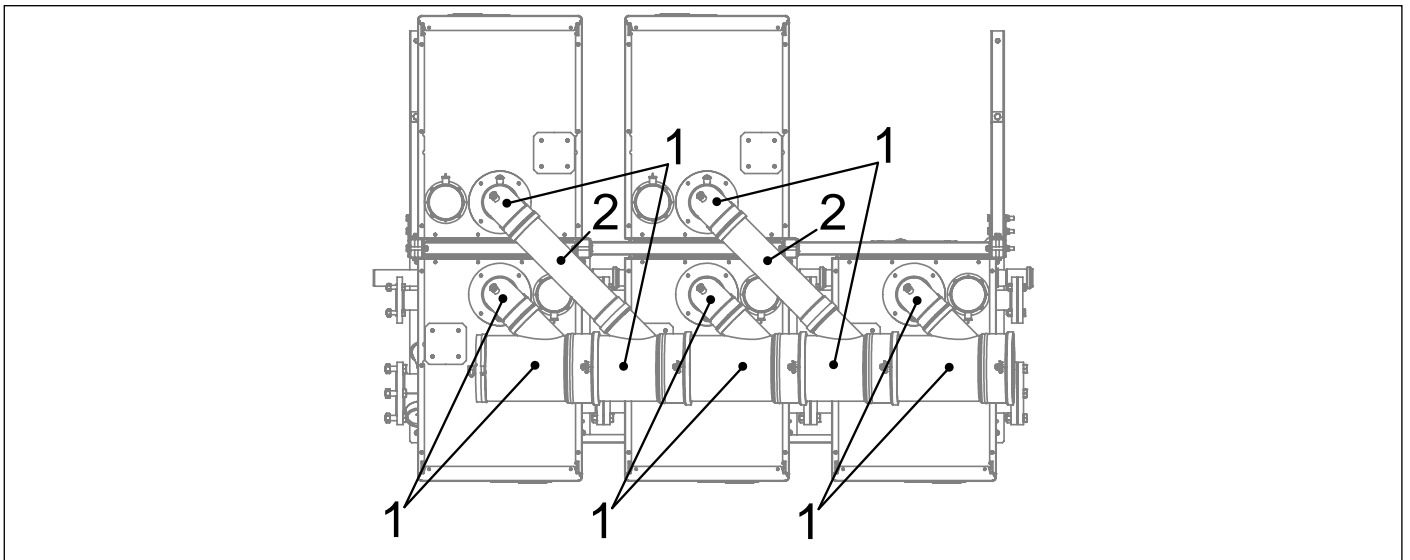


Fig. 19 Configuration 3+2

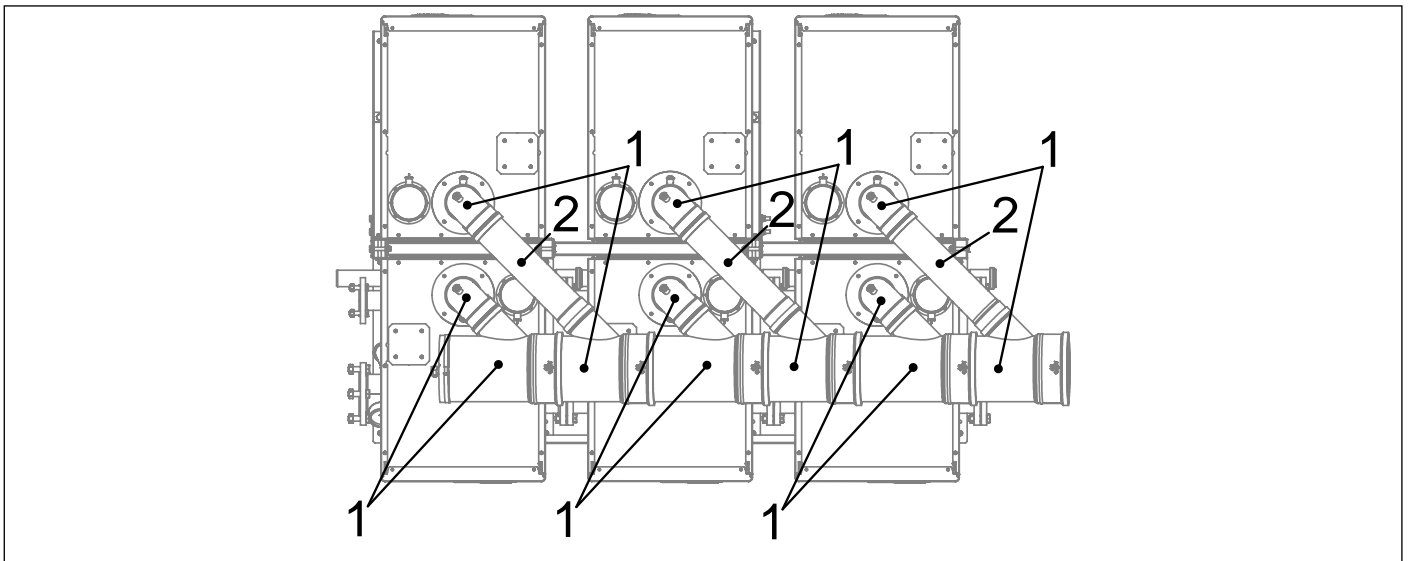


Fig. 20 Configuration 3+3

1 = FLUE GAS DUCT WITH CONNECTION

2 = FLUE GAS EXTENSION D 100

SEE CONFIGURATION FROM PAGE 69 A 73 FOR FLUE GAS VENT COMPONENTS.



WARNING

To connect the collectors to the flue gas vent of the boilers in series and provide a slope of approx. 3°, it is necessary to use a D100 extension to be cut according to increasing height values shown in the table below, where A is the minimum value and C the maximum value.

-	A	B	C
L [mm]	110	140	170

Tab. 3 Stub pipe lengths

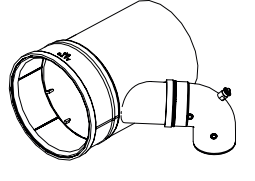
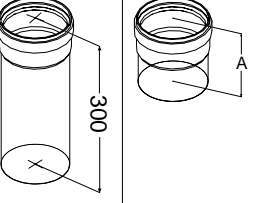
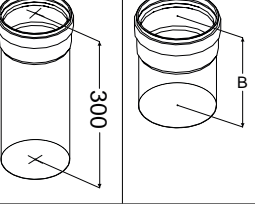
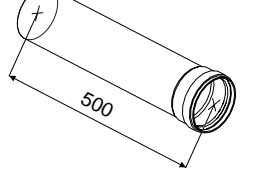
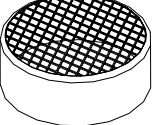
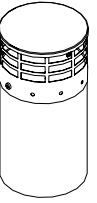

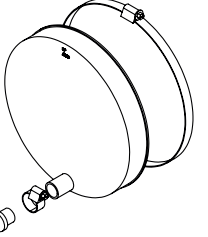
For boiler models from 45 to 85 , it is necessary to use a D80-100 flue gas fitting.

-		Configurations					
		1 + 1 90	1 + 1 120	1 + 1 145	1 + 1 170	2 + 1 180	2 + 1 205
Code	Image						
0COLLFUM02	 D.200	x 2	x 2	x 2	x 2	x 3	x 3
0PROLUNG28 *	 300 A	x 2	x 2	x 2	x 2	x 2	x 2
0PROLUNG28 *	 300 B	-	-	-	-	x 1	x 1
0PROLUNG07 **	 500	x 1	x 1	x 1	x 1	x 1	x 1
0GRIGASP01		x 2	x 2	x 2	x 2	x 3	x 3
0RIDUZIO13		x 2	x 2	x 2	x 2	x 3	x 3
0SCARCON02		x 1	x 1	x 1	x 1	x 1	x 1

Tab. 4 Configurations with 45 to 85 models

(*) to be cut at progressive heights to achieve flue inclination.

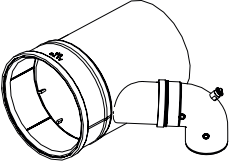
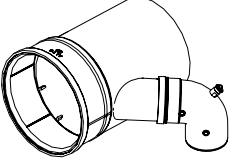
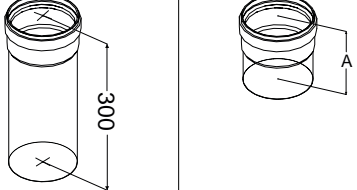
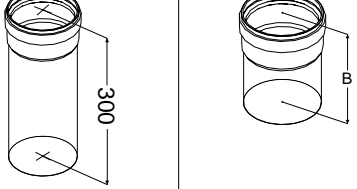
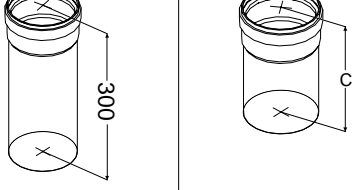
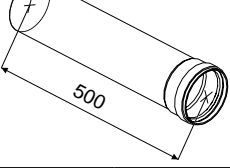
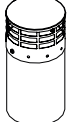
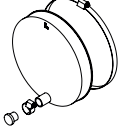
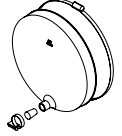
(**) it can be cut to adapt flue installation.

		Configurations					
		1 + 1 240	2 + 1 255	1 + 1 270	1 + 1 300	2 + 1 360	2 + 1 390
Code	Image						
0COLLFUM02	 D.200	x 2	x 3	x 2	x 2	x 3	x 3
0PROLUNG28 *		x 2	x 2	x 2	x 2	x 2	x 2
0PROLUNG28 *		-	x 1	-	-	x 1	x 1
0PROLUNG07 **		x 1	x 1	x 1	x 1	x 1	x 1
0GRIGASP01		-	x 3	-	-	-	-
0GRIGASP02		x 2	-	x 2	x 2	x 3	x 3
0RIDUZIO13		-	x 3	-	-	-	-
0SCARCON02		x 1	x 1	x 1	x 1	x 1	x 1

Tab. 5 Configurations with 85 to 150 models

(*) to be cut at progressive heights to achieve flue inclination.

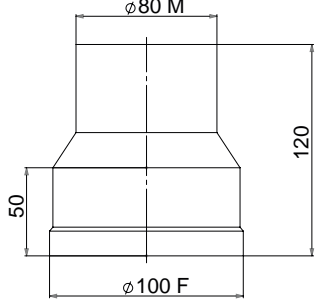
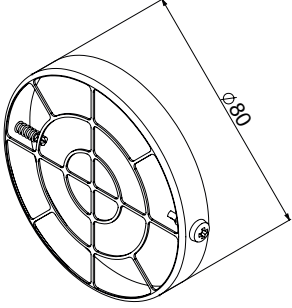
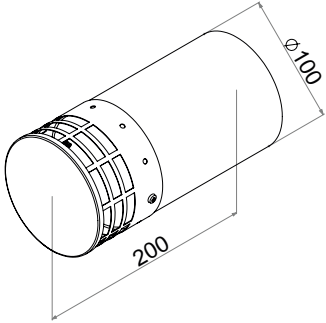
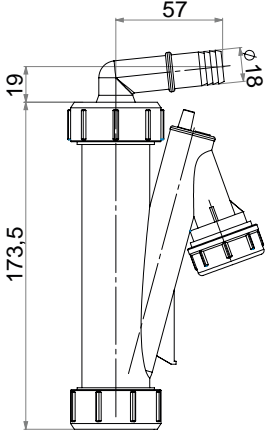
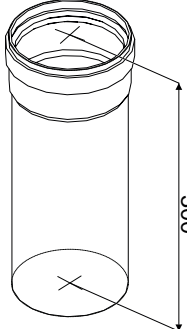
(**) it can be cut to adapt flue installation.

		Configurations							
		2 + 1	2 + 2	2 + 2	2 + 2	3 + 2	3 + 2	3 + 3	3 + 3
Code	Image	450	480	540	600	660	750	810	900
0COLLFUM02	 D.200	x 3	x 4	x 4	x 4	-	-	-	-
0COLLFUM04	 D.250	-	-	-	-	x 5	x 5	x 6	x 6
0PROLUNG28 *		x 2	x 2	x 2	x 2	x 2	x 2	x 2	x 2
0PROLUNG28 *		x 1	x 2	x 2	x 2	x 2	x 2	x 2	x 2
0PROLUNG28 *		-	-	-	-	x 1	x 1	x 2	x 2
0PROLUNG07 **		x 1	x 2	x 2	x 2	x 2	x 2	x 3	x 3
0GRIGASP02		x 3	x 4	x 4	x 4	x 5	x 5	x 6	x 6
0SCARCON02		x 1	x 1	x 1	x 1	-	-	-	-
0SCARCON04		-	-	-	-	x 1	x 1	x 1	x 1

Tab. 6 Configurations with 120-150 models

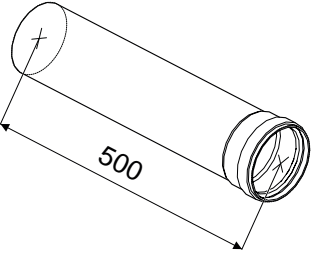
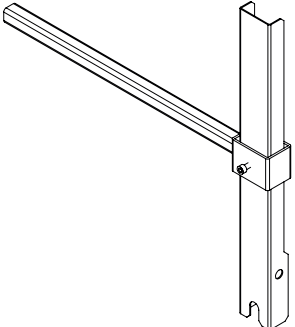
(*) to be cut at progressive heights to achieve flue inclination.

(**) it can be cut to adapt flue installation.

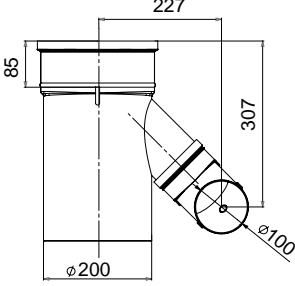
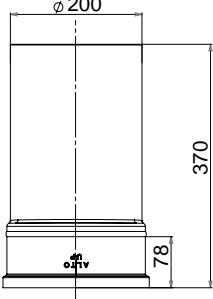
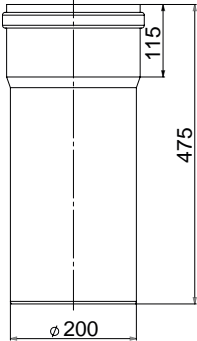
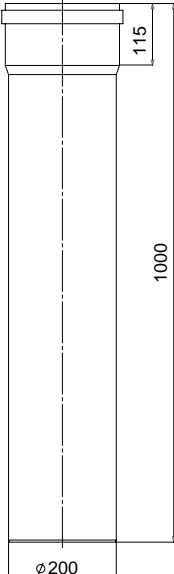
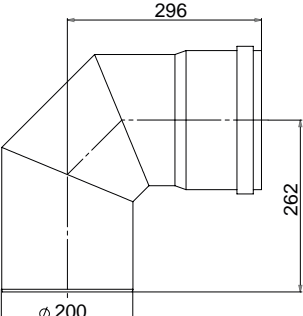
Code	Image	Description
0RIDUZIO13		M - F adapter diameter 80 - 100
0GRIGASP01		D 80 suction opening
0GRIGASP02		D 100 suction opening
0SIFCOND00		Trap for flue gas collector condensate drain
0PROLUNG28*		D 100 L 300 extension (to be cut)

Tab. 7 Various accessories

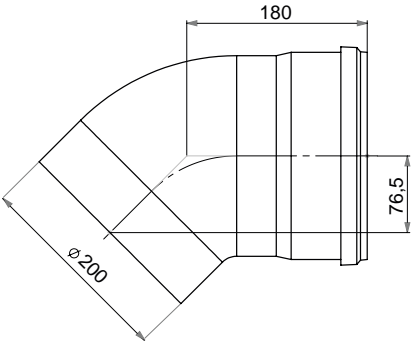
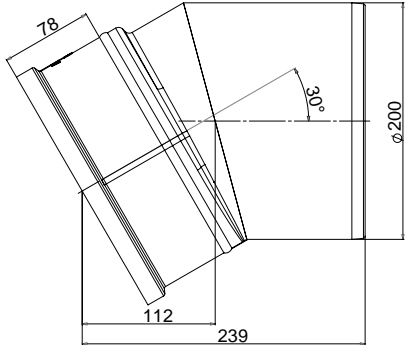
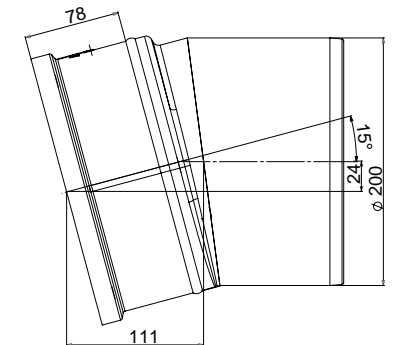
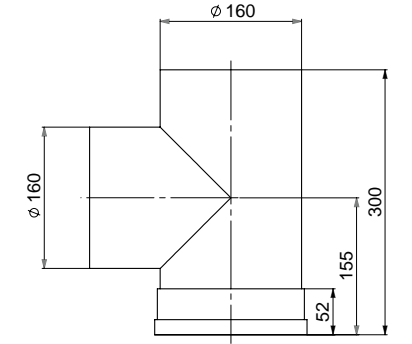
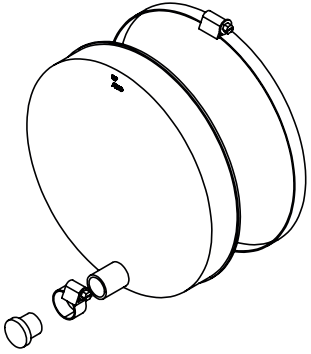
* D.100 extension to be cut according to the indications in the table Tab. 13 Stub pipe lengths on page 78.

Code	Image	Description
0PROLUNG07		D 100 L 500 extension
0KSTACOL00		Flue gas duct support kit

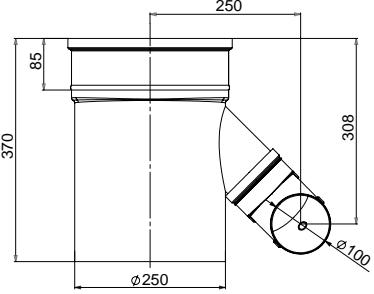
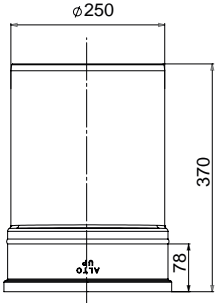
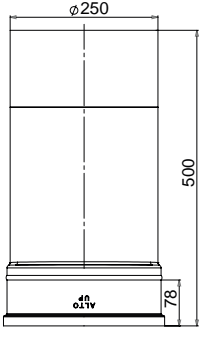
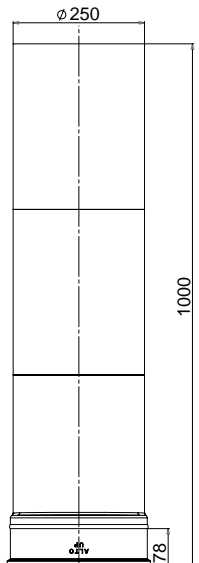
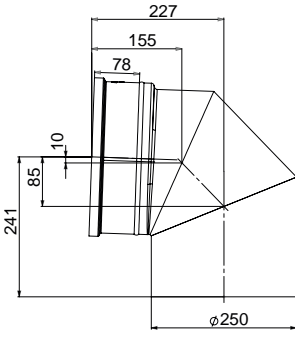
Tab. 8 Various accessories (I)

Code	Image	Description
0COLLFUM02		Flue gas collector for D 200 heat module
0PROLUNG25		Connection extension D 200 L 370 mm
0PROLUNG15		D 200 L 475 m extension
0PROLUNG13		D 200 L 1000 m extension
0CURVAXX13		90° elbow M/F D 200

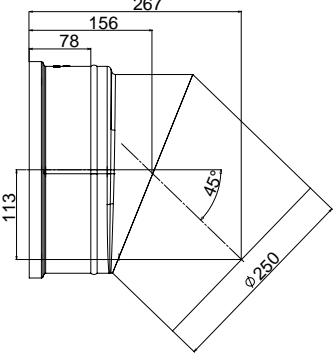
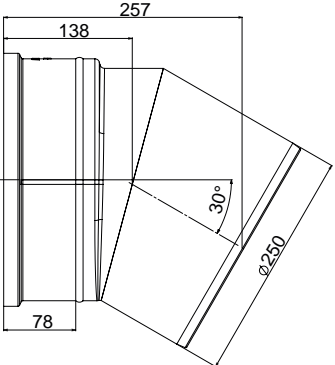
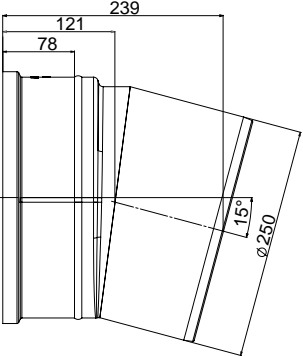
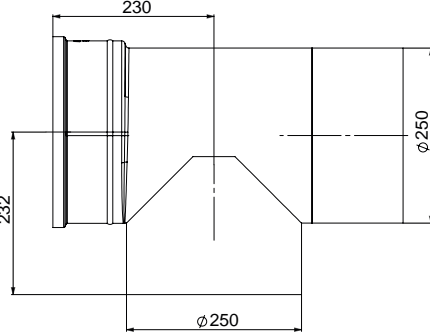
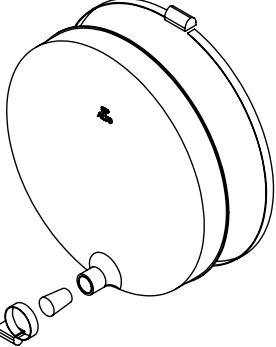
Tab. 9 D.200 accessories (I)

Code	Image	Description
0CURVAXX15		45° elbow M/F D 200
0CURVAXX27		30° elbow M/F D 200
0CURVAXX29		15° elbow M/F D 200
0RACCORT05		T-shaped fitting M/M/F D 200
0SCARCON02		Cap for D 200 collector with condensate drain hole

Tab. 10 D.200 accessories (II)

Code	Image	Description
0COLLFUM04		Flue gas collector for D 250 heat module
0PROLUNG26		Connection extension D 250 L 370 mm
0PROLUNG29		D 250 L 500 mm extension
0PROLUNG30		D250 L 1000 mm extension
0CURVAXX26		D250 90° elbow

Tab. 11 D.250 accessories (I)

Code	Image	Description
0CURVAXX25		D250 45° elbow
0CURVAXX24		D250 30° elbow
0CURVAXX23		D250 15° elbow
0RACCORD28		T-shaped fitting M/M/F D 250
0SCARCON04		Cap for D 250 collector with condensate drain

Tab. 12 D.250 accessories (II)

* it is necessary to cut the number of stub pipes as defined in the previous tables according to the measures indicated below

-	A	B	C
L [mm]	110	140	170

Tab. 13 Stub pipe lengths

1.18 Nominal data tables

NOMINAL DATA								
-		90 (1+1)	120 (1+1)	145 (1+1)	170 (1+1)	180 (2+1)	205 (2+1)	240 (1+1)
Type of installation	-	C13-C33-C43-C53-C63-C83-C93-C13X-C33X-C43X-C63X-C93X-B23-B23P-C(10)-C(11)						
Nominal heat input Qn	kW	80	120	141	162	180	201	230
Nominal heat output (80 – 60 °C) Pn	kW	77	116,6	136,8	157	174,9	195,1	224
Nominal heat output (50 – 30 °C) Pn	kW	83	125,6	147,6	169,6	188,4	210,4	244
Reduced heat input Qr	kW	4	6	6	9	6	6	11,5
Reduced heat output (80 – 60 °C) Pr	kW	3,8	5,8	5,8	8,5	5,8	5,8	11,1
Reduced heat output (50 – 30 °C) Pr	kW	4,3	6,5	6,5	9,7	6,5	6,5	12,4
Efficiency at 100% (80 – 60 °C)	%	97,1	97,1	97	96,9	97,1	97	97,4
Efficiency at 100% (50 – 30 °C)	%	105,3	104,6	104,7	104,8	104,6	104,7	106,1
Efficiency at 30% Qn - 30 °C Return	%	108,2	108,4	108,3	108,3	108,4	108,4	108,6
Efficiency at reduced heat input (80 – 60 °C)	%	96,8	97	97	94,8	97	97	96,2
Efficiency at reduced heat input (50 – 30 °C)	%	108,2	108,5	108,5	107,6	108,5	108,5	108,2
Central heating setting range	°C	20 ÷ 80						
CH maximum temperature	°C	80 + 3						
NOx class (EN 15502-1:2012+A1:2015)	1..6	6	6	6	6	6	6	6
Heating water max hydraulic pressure (PMS)	bar	3,6	4,2	4,2	6	4,2	4,2	6
Safety valve calibration pressure	bar	3	3,5	3,5	5	3,5	3,5	5
Heating water minimum pressure	bar	0,8	0,8	0,8	0,8	0,8	0,8	0,8
DHW temperature setting range	°C	65 ÷ 35						
DHW maximum temperature	°C	65						

Tab. 14 Nominal data for configurations from 90 to 240

NOMINAL DATA								
-		255 (2+1)	270 (1+1)	300 (1+1)	360 (2+1)	390 (2+1)	450 (2+1)	480 (2+2)
Type of installation	-	C13-C33-C43-C53-C63-C83-C93-C13X-C33X-C43X-C63X-C93X-B23-B23P-C(10)-C(11)						
Nominal heat input Qn	kW	243	255	280	345	370	420	460
Nominal heat output (80 – 60 °C) Pn	kW	235,5	248,3	272,6	336	360,3	408,9	448
Nominal heat output (50 – 30 °C) Pn	kW	254,4	270,7	297,4	366	392,7	446,1	488
Reduced heat input Qr	kW	9	11,5	22,5	11,5	11,5	22,5	11,5
Reduced heat output (80 – 60 °C) Pr	kW	8,5	11,1	21,6	11,1	11,1	21,6	11,1
Reduced heat output (50 – 30 °C) Pr	kW	9,7	12,4	23,9	12,4	12,4	23,9	12,4
Efficiency at 100% (80 – 60 °C)	%	96,9	97,3	97,3	97,4	97,4	97,3	97,4
Efficiency at 100% (50 – 30 °C)	%	104,8	106,2	106,2	106,1	106,1	106,2	106,1
Efficiency at 30% Qn - 30 °C Return	%	108,3	108,5	108,4	108,6	108,5	108,4	108,6
Efficiency at reduced heat input (80 – 60 °C)	%	94,8	96,2	96	96,2	96,2	96	96,2
Efficiency at reduced heat input (50 – 30 °C)	%	107,6	108,2	106,3	108,2	108,2	106,3	108,2
Central heating setting range	°C	20 ÷ 80						
CH maximum temperature	°C	80 + 3						
NOx class (EN 15502-1:2012+A1:2015)	1..6	6	6	6	6	6	6	6
Heating water max hydraulic pressure (PMS)	bar	6	6	6	6	6	6	6
Safety valve calibration pressure	bar	5	5	5	5	5	5	5
Heating water minimum pressure	bar	0,8	0,8	0,8	0,8	0,8	0,8	0,8
DHW temperature setting range	°C	65 ÷ 35						
DHW maximum temperature	°C	65						

Tab. 15 Nominal data for configurations from 255 to 480

NOMINAL DATA							
-		540 (2+2)	600 (2+2)	660 (3+2)	750 (3+2)	810 (3+3)	900 (3+3)
Type of installation	-	C13-C33-C43-C53-C63-C83-C93-C13X-C33X-C43X-C63X-C93X-B23-B23P-C(10)-C(11)					
Nominal heat input Q _n	kW	510	560	625	700	765	840
Nominal heat output (80 – 60 °C) P _n	kW	496,6	545,2	608,6	681,5	744,9	817,8
Nominal heat output (50 – 30 °C) P _n	kW	541,4	594,8	663,4	743,5	812,1	892,2
Reduced heat input Q _r	kW	11,5	22,5	11,5	22,5	11,5	22,5
Reduced heat output (80 – 60 °C) P _r	kW	11,1	21,6	11,1	21,6	11,1	21,6
Reduced heat output (50 – 30 °C) P _r	kW	12,4	23,9	12,4	23,9	12,4	23,9
Efficiency at 100% (80 – 60 °C)	%	97,3	97,3	97,4	97,3	97,3	97,3
Efficiency at 100% (50 – 30 °C)	%	106,2	106,2	106,1	106,2	106,2	106,2
Efficiency at 30% Q _n - 30 °C Return	%	108,5	108,4	108,5	108,4	108,5	108,4
Efficiency at reduced heat input (80 – 60 °C)	%	96,2	96	96,2	96	96,2	96
Efficiency at reduced heat input (50 – 30 °C)	%	108,2	106,3	108,2	106,3	108,2	106,3
Central heating setting range	°C	20 ÷ 80					
CH maximum temperature	°C	80 + 3					
NOx class (EN 15502-1:2012+A1:2015)	1..6	6	6	6	6	6	6
Heating water max hydraulic pressure (PMS)	bar	6	6	6	6	6	6
Safety valve calibration pressure	bar	5	5	5	5	5	5
Heating water minimum pressure	bar	0,8	0,8	0,8	0,8	0,8	0,8
DHW temperature setting range	°C	65 ÷ 35					
DHW maximum temperature	°C	65					

Tab. 16 Nominal data for configurations from 540 to 900

1.19 Nominal electrical data tables

NOMINAL ELECTRICAL DATA								
-		90 (1+1)	120 (1+1)	145 (1+1)	170 (1+1)	180 (2+1)	205 (2+1)	240 (1+1)
Input voltage	V	230						
Frequency	Hz	50						
Module power consumption	W	188	238	275	312	357	394	502
Module power consumption in standby condition	W	4	4	5,5	7	6	7,5	7
Degree of electrical protection of rack modules	IP	X4D						

Tab. 17 Nominal electrical data for configurations from 90 to 240

NOMINAL ELECTRICAL DATA								
-		255 (2+1)	270 (1+1)	300 (1+1)	360 (2+1)	390 (2+1)	450 (2+1)	480 (2+2)
Input voltage	V	230						
Frequency	Hz	50						
Module power consumption	W	468	561	620	753	812	930	1004
Module power consumption in standby condition	W	11	7	7	10,5	10,5	10,5	14
Degree of electrical protection of rack modules	IP	X4D						

Tab. 18 Nominal electrical data for configurations from 255 to 480

NOMINAL ELECTRICAL DATA								
-		540 (2+2)	600 (2+2)	660 (3+2)	750 (3+2)	810 (3+3)	900 (3+3)	
Input voltage	V	230						
Frequency	Hz	50						
Module power consumption	W	1122	1240	1373	1550	1683	1860	
Module power consumption in standby condition	W	14	14	17,5	17,5	21	21	
Degree of electrical protection of rack modules	IP	X4D						

Tab. 19 Nominal electrical data for configurations from 540 to 900

1.20 Tables of dimensions, weights, connections and volumes

DIMENSIONS – WEIGHTS – CONNECTIONS – VOLUMES								
-		90 (1+1)	120 (1+1)	145 (1+1)	170 (1+1)	180 (2+1)	205 (2+1)	240 (1+1)
Height of modules in the rack (without flue gas vent)	mm	1729						
Depth of modules in the rack	mm	1054	1054	1054	1054	1054	1054	1422
Width of modules in the rack with separator	mm	1211	1211	1211	1211	1841	1841	1211
Width of modules in the rack with exchanger	mm	1748	1748	1748	1748	2378	2378	1748
Total weight with direct collectors	kg	172	186	211	236	293	317	257
Total weight with separator	kg	203	217	242	267	324	348	288
Total weight with matched plates	kg	302	316	348	373	430	454	399
Total weight with matched plates and connection collectors	kg	330	344	376	401	458	482	427
Flow flange connection	-	DN 80 PN6						
Return flange connection	-	DN 80 PN6						
Gas flange connection	-	DN 50 PN6						
Hydraulic separator drain connection	-	1 ½" F						
Condensate drain connection	-	DN 50						
Total Content with direct collectors	l	14	17	18	19	28	29	24
Total Content with separator	l	34	37	38	39	48	49	44
Exchanger cut	kW	120	120	205	205	205	205	300
Total Content with matched plates	l	15	18	21	22	31	32	28
Total Content with matched plates and connection collectors	l	26	29	31	32	41	42	38
Expansion tank of cascade hydraulic kit	l	5	5	5	5	10	10	5

Tab. 20 Dimensions, weights, connections and volumes for configurations from 90 to 240

DIMENSIONS – WEIGHTS – CONNECTIONS – VOLUMES								
-		255 (2+1)	270 (1+1)	300 (1+1)	360 (2+1)	390 (2+1)	450 (2+1)	480 (2+2)
Height of modules in the rack (without flue gas vent)	mm	1729						
Depth of modules in the rack	mm	1054	1422	1422	1422	1422	1422	1422
Width of modules in the rack with separator	mm	1841	1211	1211	1841	1841	1841	1841
Width of modules in the rack with exchanger	mm	2378	1748	1748	2378	2378	2378	2378
Total weight with direct collectors	kg	367	278	300	399	420	463	494
Total weight with separator	kg	398	309	331	430	451	494	525
Total weight with matched plates	kg	509	420	442	548	574	617	656
Total weight with matched plates and connection collectors	kg	537	448	470	576	602	645	684
Flow flange connection	-	DN 80 PN6						
Return flange connection	-	DN 80 PN6						
Gas flange connection	-	DN 50 PN6						
Hydraulic separator drain connection	-	1 ½" F						
Condensate drain connection	-	DN 50						
Total Content with direct collectors	l	31	26	29	39	41	46	47
Total Content with separator	l	51	46	49	59	61	66	67
Exchanger cut	kW	300	300	300	360	450	450	600
Total Content with matched plates	l	35	30	33	44	47	52	55
Total Content with matched plates and connection collectors	l	45	40	43	54	58	63	65
Expansion tank of cascade hydraulic kit	l	10	5	5	10	10	10	10

Tab. 21 Dimensions, weights, connections and volumes for configurations from 255 to 480

DIMENSIONS – WEIGHTS – CONNECTIONS – VOLUMES							
-		540 (2+2)	600 (2+2)	660 (3+2)	750 (3+2)	810 (3+3)	900 (3+3)
Height of modules in the rack (without flue gas vent)	mm	1729					
Depth of modules in the rack	mm	1422	1422	1422	1422	1422	1422
Width of modules in the rack with separator	mm	1841	1841	2471	2471	2471	2471
Width of modules in the rack with exchanger	mm	2378	2378	3008	3008	3008	3008
Total weight with direct collectors	kg	537	580	679	743	796	861
Total weight with separator	kg	568	611	710	774	827	892
Total weight with matched plates	kg	699	746	852	922	979	1044
Total weight with matched plates and connection collectors	kg	727	774	880	950	1007	1072
Flow flange connection	-	DN 80 PN6					
Return flange connection	-	DN 80 PN6					
Gas flange connection	-	DN 50 PN6					
Hydraulic separator drain connection	-	1 ½" F					
Condensate drain connection	-	DN 50					
Total Content with direct collectors	l	52	57	67	75	78	86
Total Content with separator	l	72	77	87	95	98	106
Exchanger cut	kW	600	600	690	780	900	900
Total Content with matched plates	l	60	65	76	85	89	97
Total Content with matched plates and connection collectors	l	70	75	86	95	99	107
Expansion tank of cascade hydraulic kit	l	10	10	15	15	15	15

Tab. 22 Dimensions, weights, connections and volumes for configurations from 540 to 900

1.21 Tables of flue - shared collector dimensioning

FLUE - SHARED COLLECTOR DIMENSIONING								
-		90 (1+1)	120 (1+1)	145 (1+1)	170 (1+1)	180 (2+1)	205 (2+1)	240 (1+1)
Drain rating	-	B23P						
Qn - CO2	%	9,2	9,1	9	9	9,1	9,1	9
Qn - Flue gas temperature - Air temperature	°C	57	57	50,3	45,3	57	52,3	54
Qn - Flue mass flow	g/sec	38	54,5	64,5	74,4	81,8	91,7	105,4
Qn - Residual head available	Pa	30	30	30	30	30	30	30
Qr - CO2	%	8,9	8,9	8,9	9	8,9	8,9	9
Qr - Flue gas temperature - Air temperature	°C	42	39	39	31,2	39	39	35,4
Qr - Flue mass flow	g/sec	1,9	2,8	2,8	4,1	2,8	2,8	5,3
Qr - Residual head available	Pa	5	5	5	5	5	5	5
Connection diameter to flue gas collector	mm	200	200	200	200	200	200	200

Tab. 23 Flue - shared collector dimensioning for configurations from 90 to 240

FLUE - SHARED COLLECTOR DIMENSIONING								
-		255 (2+1)	270 (1+1)	300 (1+1)	360 (2+1)	390 (2+1)	450 (2+1)	480 (2+2)
Drain rating	-	B23P						
Qn - CO2	%	9	9	9	9	9	9	9
Qn - Flue gas temperature - Air temperature	°C	45,3	53,2	52,6	54	53,5	52,6	54
Qn - Flue mass flow	g/sec	111,6	116,9	128,4	158,1	169,6	192,6	210,8
Qn - Residual head available	Pa	30	30	30	30	30	30	30
Qr - CO2	%	9	9	9	9	9	9	9
Qr - Flue gas temperature - Air temperature	°C	31,2	35,4	35,4	35,4	35,4	35,4	35,4
Qr - Flue mass flow	g/sec	4,1	5,3	10,3	5,3	5,3	10,3	5,3
Qr - Residual head available	Pa	5	5	10	5	5	10	5
Connection diameter to flue gas collector	mm	200	200	200	200	200	200	200

Tab. 24 Flue - shared collector dimensioning for configurations from 255 to 480

FLUE - SHARED COLLECTOR DIMENSIONING							
		540 (2+2)	600 (2+2)	660 (3+2)	750 (3+2)	810 (3+3)	900 (3+3)
Drain rating	-	B23P					
Qn - CO2	%	9	9	9	9	9	9
Qn - Flue gas temperature - Air temperature	°C	53,2	52,6	53,4	52,6	53,2	52,6
Qn - Flue mass flow	g/sec	233,8	256,8	286,5	321	350,7	385,2
Qn - Residual head available	Pa	30	30	30	30	30	30
Qr - CO2	%	9	9	9	9	9	9
Qr - Flue gas temperature - Air temperature	°C	35,4	35,4	35,4	35,4	35,4	35,4
Qr - Flue mass flow	g/sec	5,3	10,3	5,3	10,3	5,3	10,3
Qr - Residual head available	Pa	5	10	5	10	5	10
Connection diameter to flue gas collector	mm	200	200	250	250	250	250

Tab. 25 Flue - shared collector dimensioning for configurations from 540 to 900

1.22 Design data tables

DESIGN DATA								
		90 (1+1)	120 (1+1)	145 (1+1)	170 (1+1)	180 (2+1)	205 (2+1)	240 (1+1)
Qn - Casing heat loss with burner on	%	0,15	0,25	0,3	0,33	0,25	0,28	0
Qn - Casing heat loss with burner off	%	0,21	0,17	0,15	0,14	0,17	0,16	0,08
Qn - Flue system heat loss with burner on	%	2,8	2,65	2,74	2,8	2,65	2,71	2,59
Qn - Flue system heat loss with burner off	%	---	---	---	---	---	---	---
Qn - WILO pump absorption with hydraulic separator	W	150	260	270	280	390	400	520
Qn - WILO pump absorption with plate exchanger	W	150	260	270	280	390	400	520
Qr - Casing heat loss with burner on	%	1,05	1,06	1,06	3,31	1,06	1,06	2,06
Qr - Casing heat loss with burner off	%	0,21	0,17	0,17	0,14	0,17	0,17	0,08
Qr - Flue system heat loss with burner on	%	2,19	1,98	1,98	1,87	1,98	1,98	1,7
Qr - Flue system heat loss with burner off	%	---	---	---	---	---	---	---
Qr - WILO pump absorption with hydraulic separator	W	150	260	270	280	390	400	520
Qr - WILO pump absorption with plate exchanger	W	150	260	270	280	390	400	520

Tab. 26 Design data for configurations from 90 to 240

DESIGN DATA								
		255 (2+1)	270 (1+1)	300 (1+1)	360 (2+1)	390 (2+1)	450 (2+1)	480 (2+2)
Qn - Casing heat loss with burner on	%	0,33	0,21	0,38	0	0,14	0,38	0
Qn - Casing heat loss with burner off	%	0,14	0,09	0,09	0,08	0,09	0,09	0,08
Qn - Flue system heat loss with burner on	%	2,8	2,41	2,27	2,59	2,47	2,27	2,59
Qn - Flue system heat loss with burner off	%	---	---	---	---	---	---	---
Qn - WILO pump absorption with hydraulic separator	W	420	520	520	780	780	780	1040
Qn - WILO pump absorption with plate exchanger	W	420	520	520	780	780	780	1040
Qr - Casing heat loss with burner on	%	3,31	2,06	2,17	2,06	2,06	2,17	2,06
Qr - Casing heat loss with burner off	%	0,14	0,08	0,09	0,08	0,08	0,09	0,08
Qr - Flue system heat loss with burner on	%	1,87	1,7	1,83	1,7	1,7	1,83	1,7
Qr - Flue system heat loss with burner off	%	---	---	---	---	---	---	---
Qr - WILO pump absorption with hydraulic separator	W	420	520	520	780	780	780	1040
Qr - WILO pump absorption with plate exchanger	W	420	520	520	780	780	780	1040

Tab. 27 Design data for configurations from 255 to 480

DESIGN DATA		540	600	660	750	810	900
		(2+2)	(2+2)	(3+2)	(3+2)	(3+3)	(3+3)
Qn - Casing heat loss with burner on	%	0,21	0,38	0,17	0,38	0,21	0,38
Qn - Casing heat loss with burner off	%	0,09	0,09	0,09	0,09	0,09	0,09
Qn - Flue system heat loss with burner on	%	2,41	2,27	2,45	2,27	2,41	2,27
Qn - Flue system heat loss with burner off	%	---	---	---	---	---	---
Qn - WILO pump absorption with hydraulic separator	W	1040	1040	1300	1300	1560	1560
Qn - WILO pump absorption with plate exchanger	W	1040	1040	1300	1300	1560	1560
Qr - Casing heat loss with burner on	%	2,06	2,17	2,06	2,17	2,06	2,17
Qr - Casing heat loss with burner off	%	0,08	0,09	0,08	0,09	0,08	0,09
Qr - Flue system heat loss with burner on	%	1,7	1,83	1,7	1,83	1,7	1,83
Qr - Flue system heat loss with burner off	%	---	---	---	---	---	---
Qr - WILO pump absorption with hydraulic separator	W	1040	1040	1300	1300	1560	1560
Qr - WILO pump absorption with plate exchanger	W	1040	1040 </td <td>1300</td> <td>1300</td> <td>1560</td> <td>1560</td>	1300	1300	1560	1560

Tab. 28 Design data for configurations from 540 to 900

1.23 Pressure loss

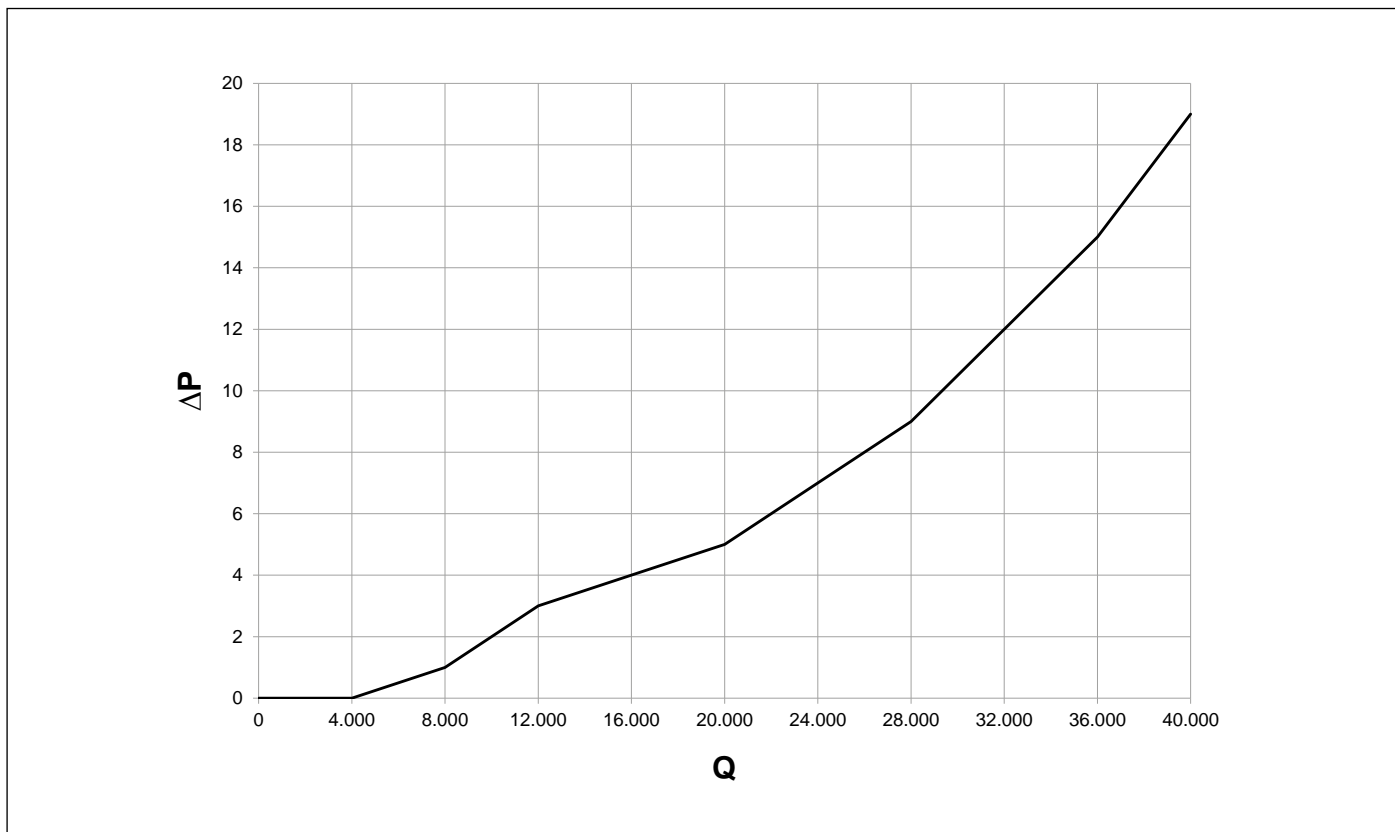


Fig. 21 Hydraulic separator flow resistance on system side

ΔP Hydraulic resistance (mbar)
Q Flow rate (dm³/h)

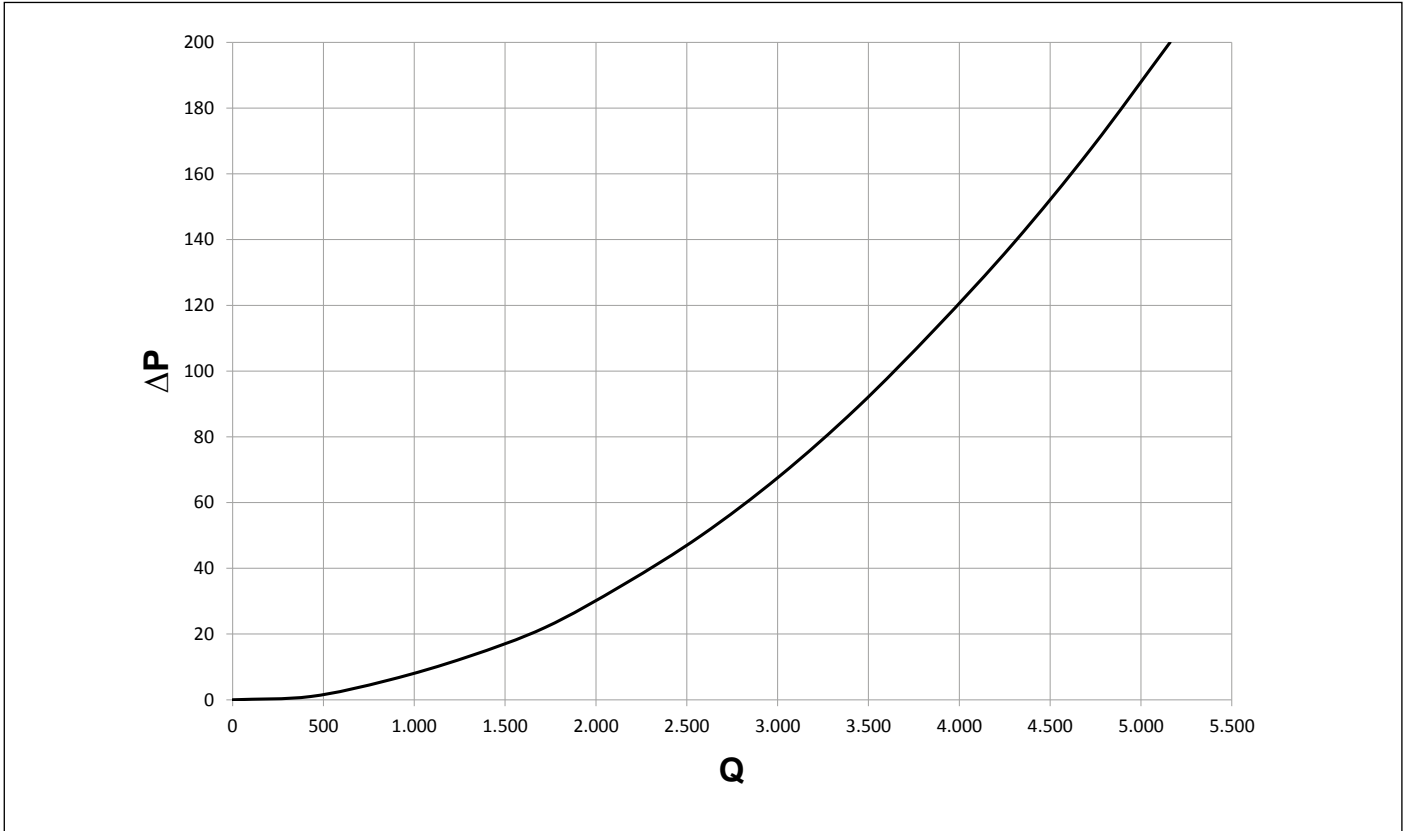


Fig. 22 120 kW plate exchanger flow resistance on primary side and secondary side

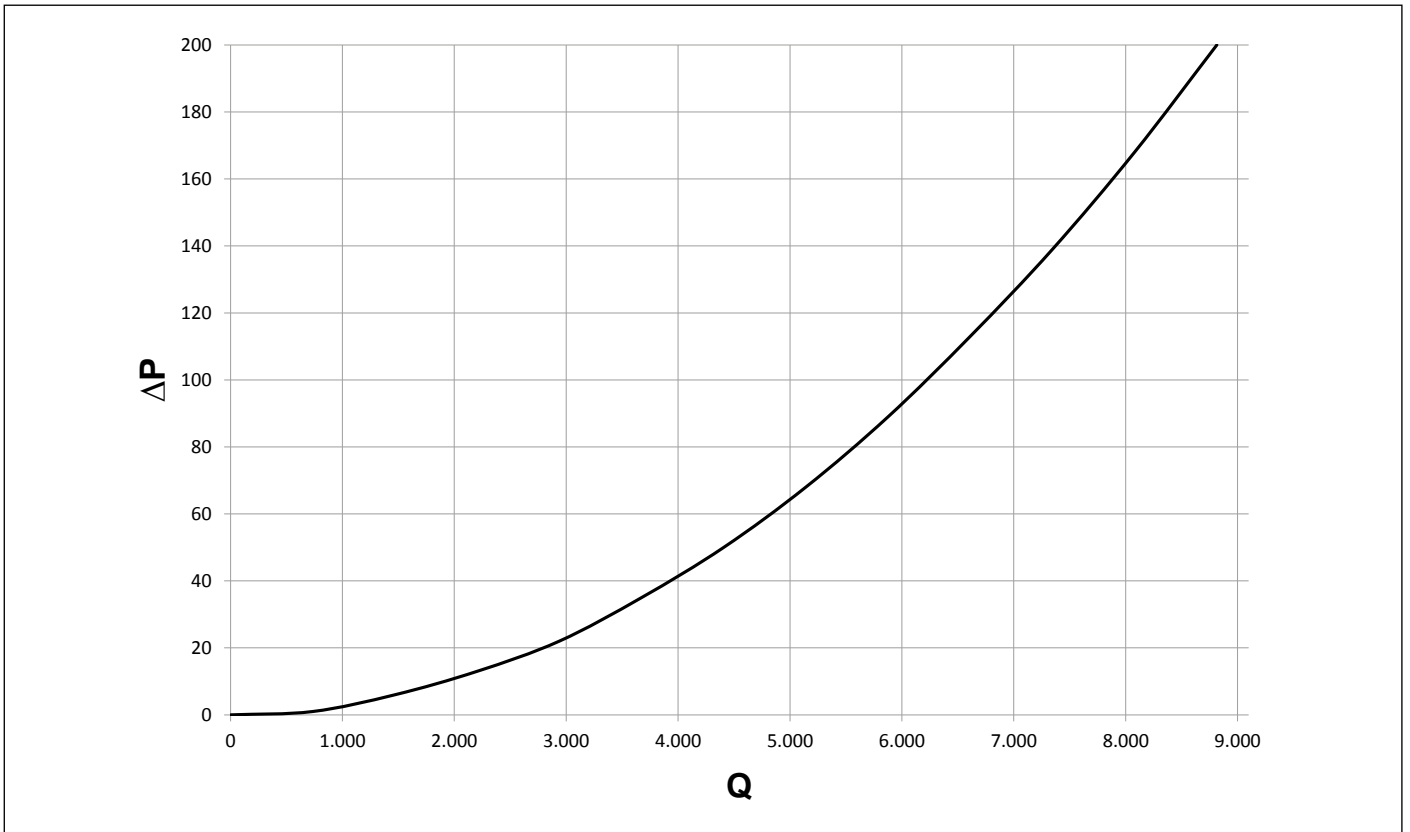


Fig. 23 205 kW plate exchanger flow resistance on primary side and secondary side

ΔP Hydraulic resistance (mbar)
 Q Flow rate (dm³/h)

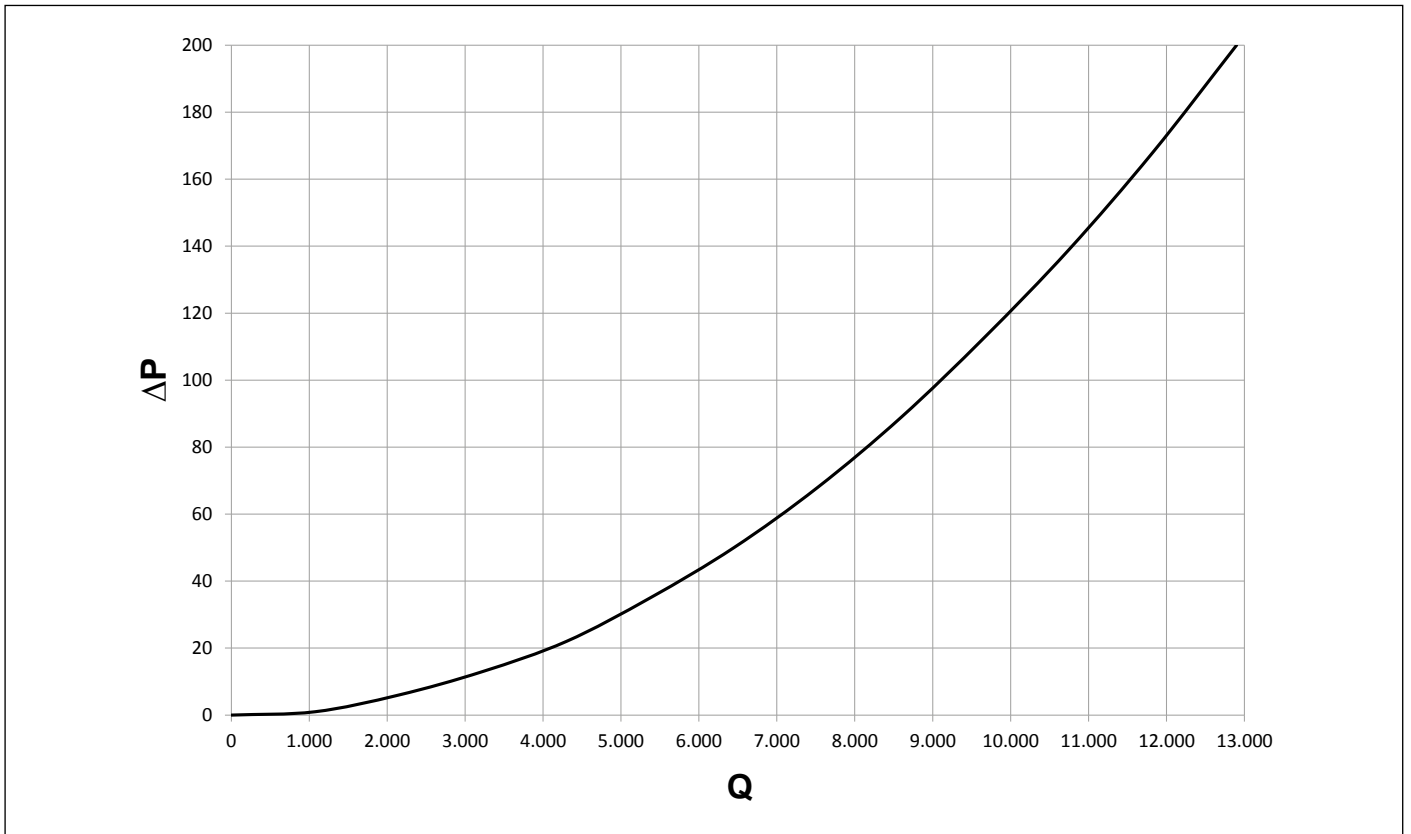


Fig. 24 300 kW plate exchanger flow resistance on primary side and secondary side

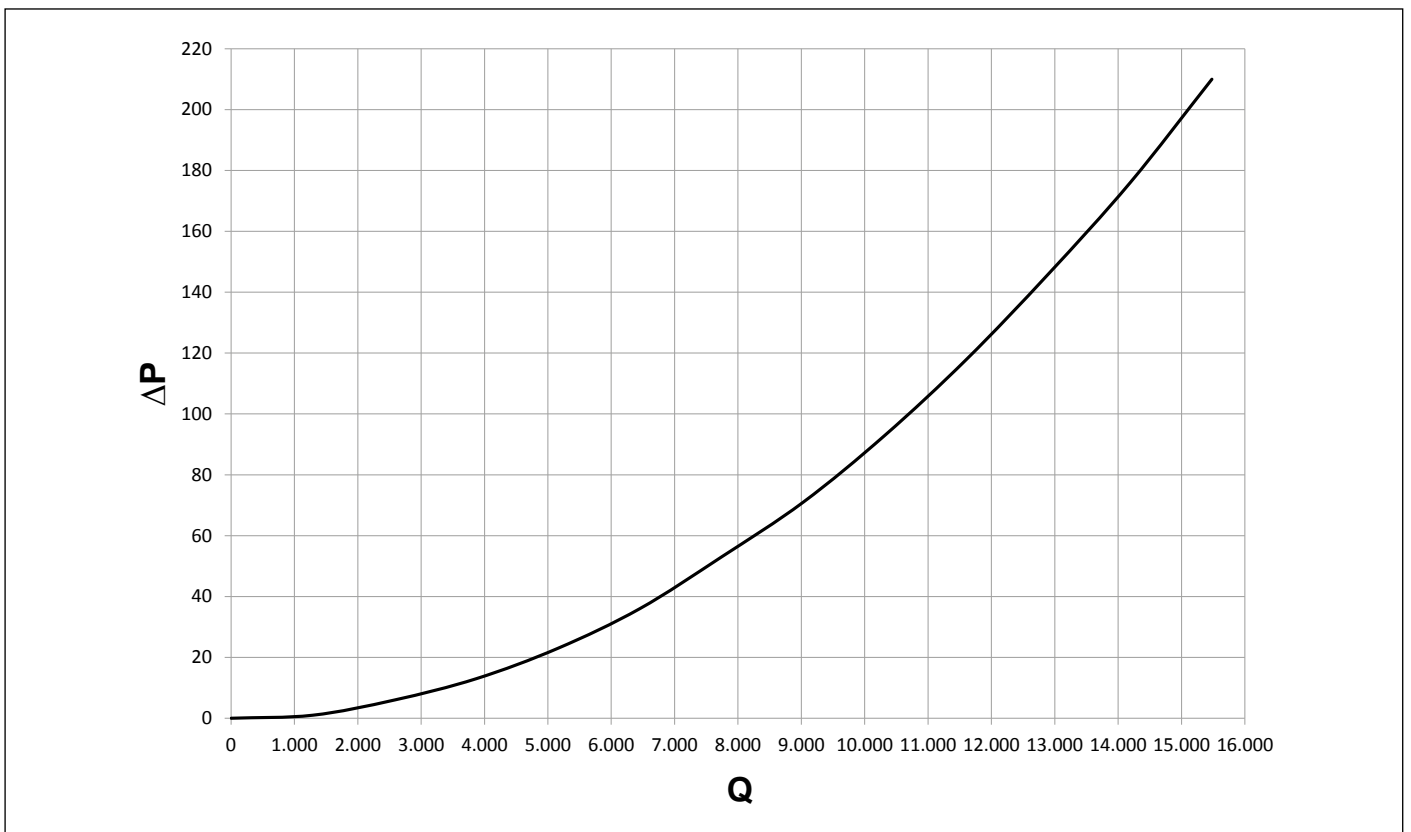


Fig. 25 360 kW plate exchanger flow resistance on primary side and secondary side

ΔP Hydraulic resistance (mbar)
 Q Flow rate (dm³/h)

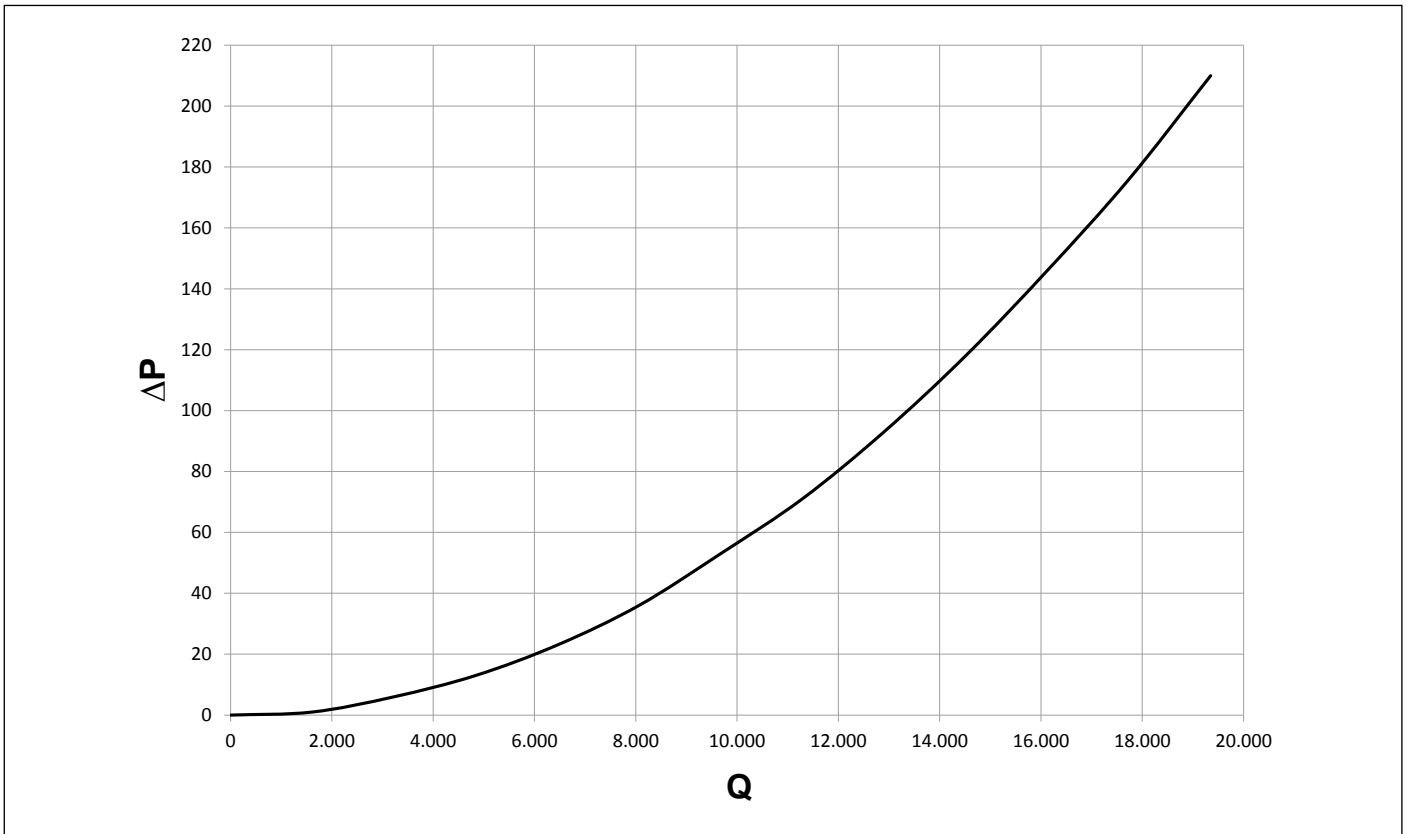


Fig. 26 450 kW plate exchanger flow resistance on primary side and secondary side

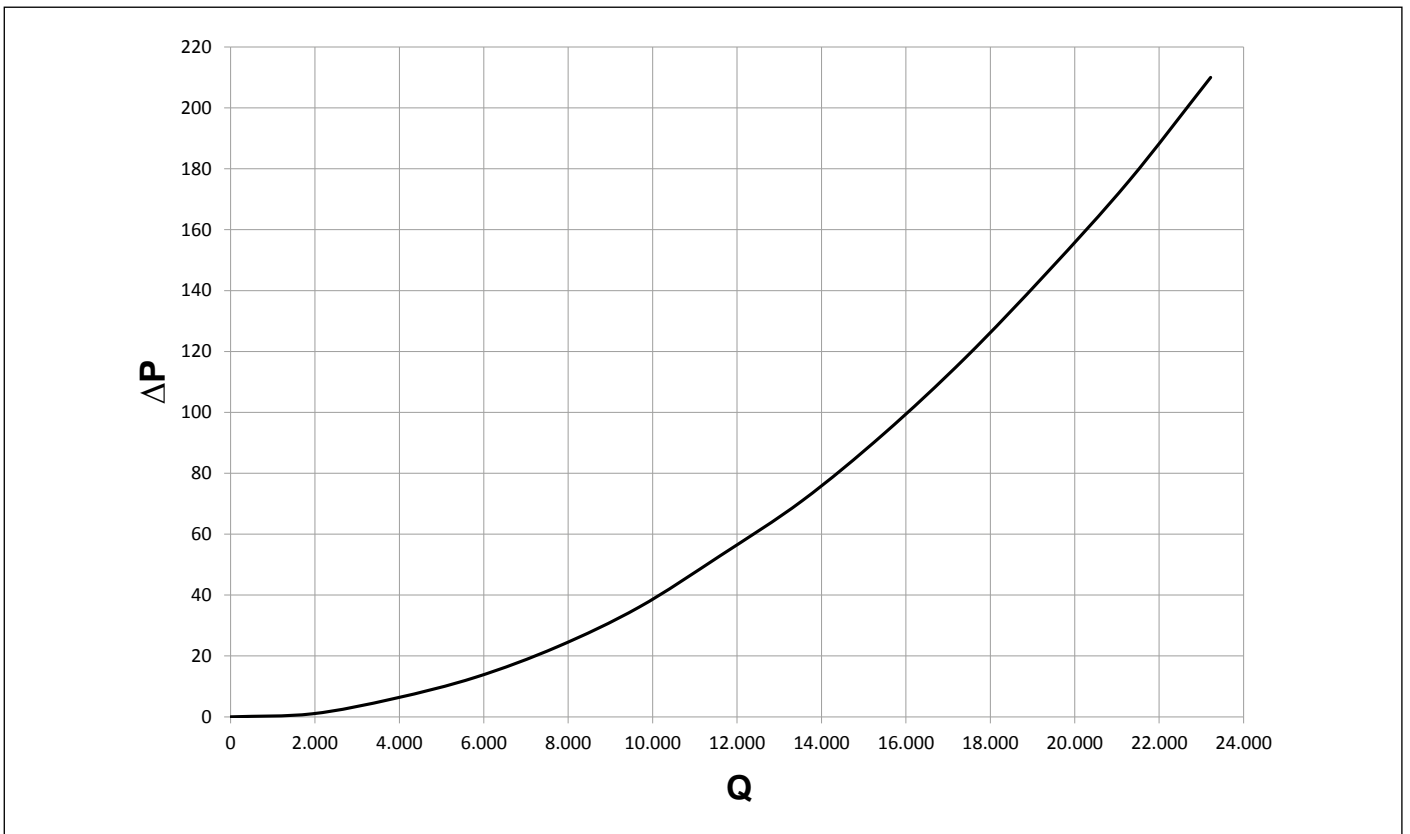


Fig. 27 540 kW plate exchanger flow resistance on primary side and secondary side

ΔP Hydraulic resistance (mbar)
 Q Flow rate (dm³/h)

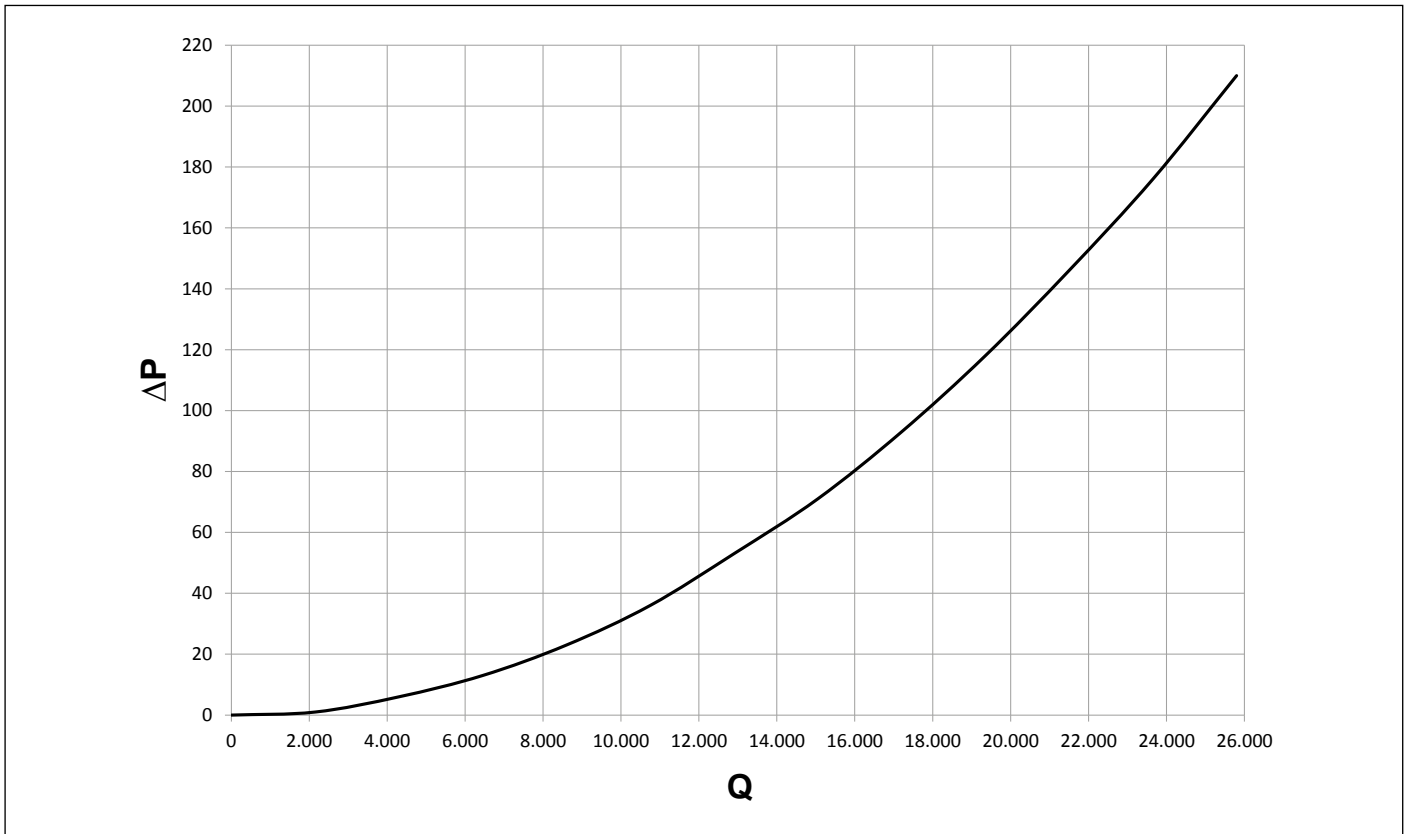


Fig. 28 600 kW plate exchanger flow resistance on primary side and secondary side

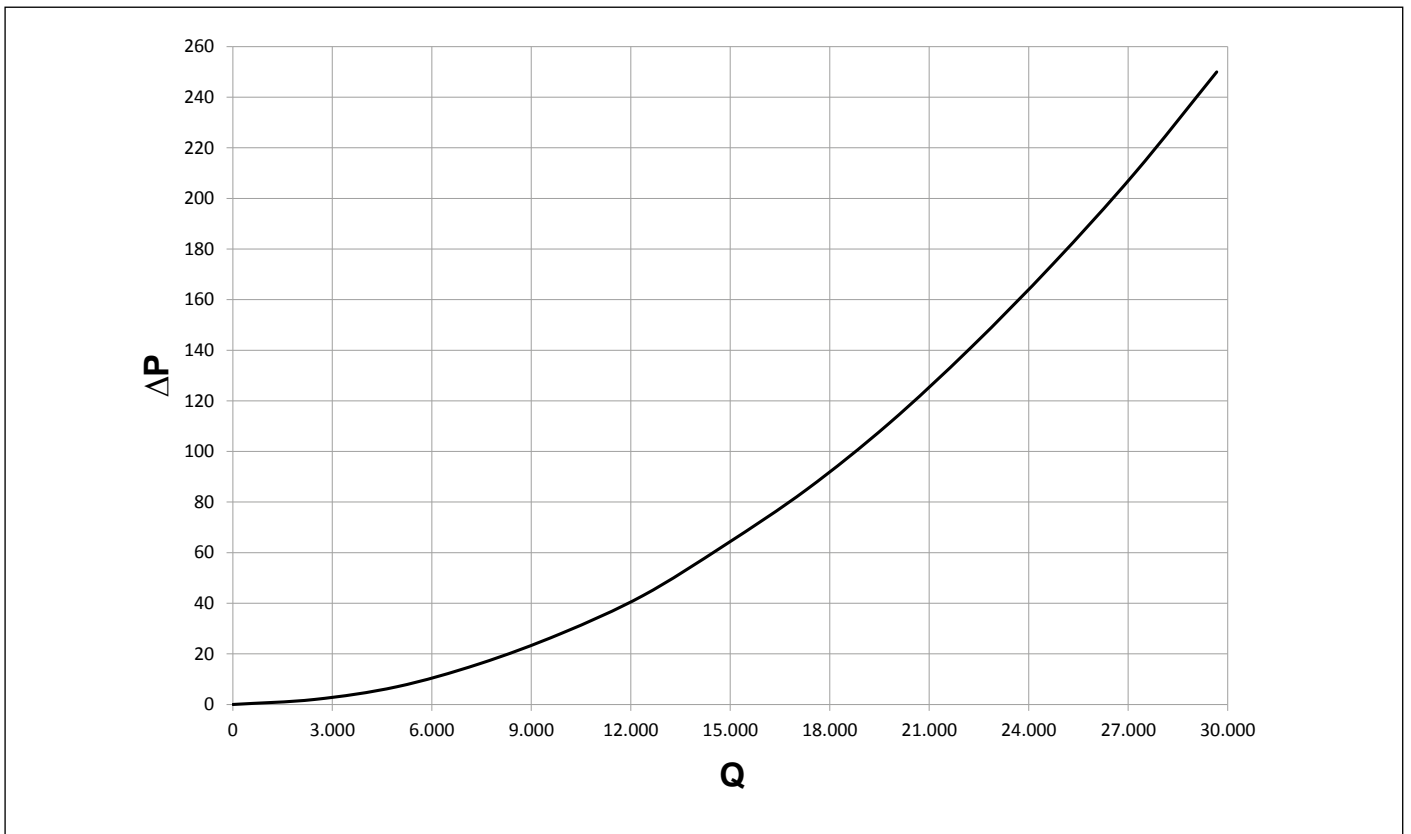


Fig. 29 690 kW plate exchanger flow resistance on primary side and secondary side

ΔP Hydraulic resistance (mbar)
 Q Flow rate (dm³/h)

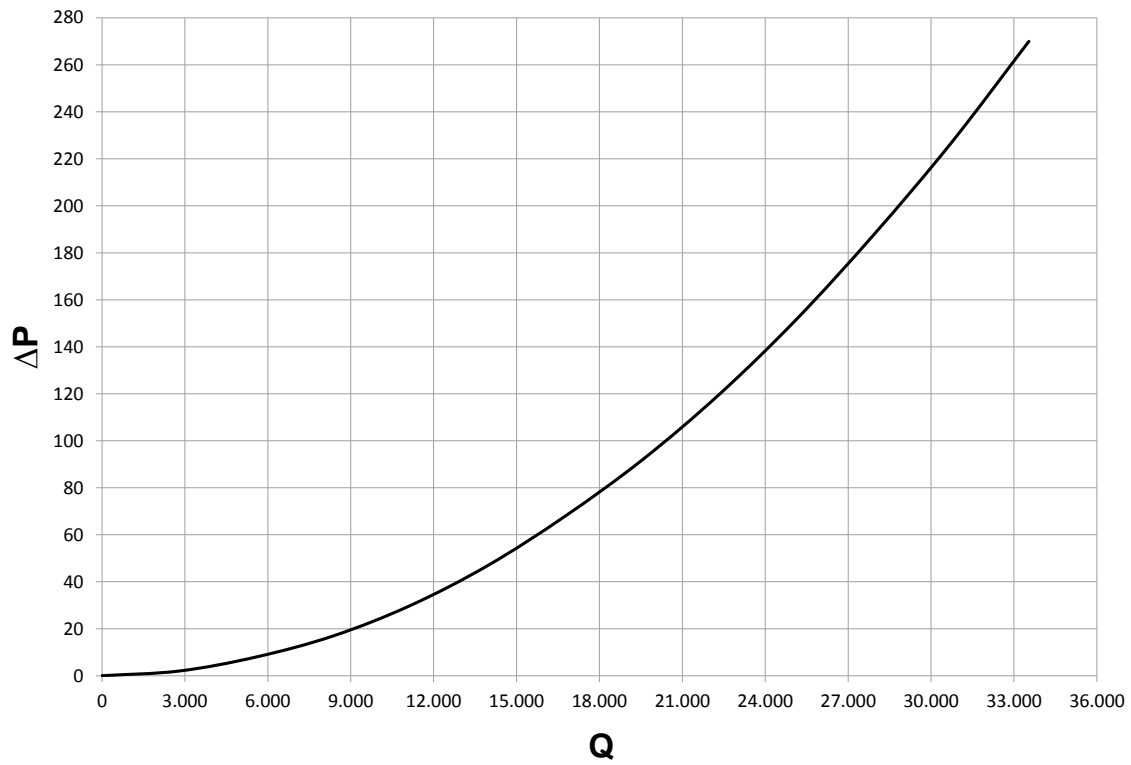


Fig. 30 780 kW plate exchanger flow resistance on primary side and secondary side

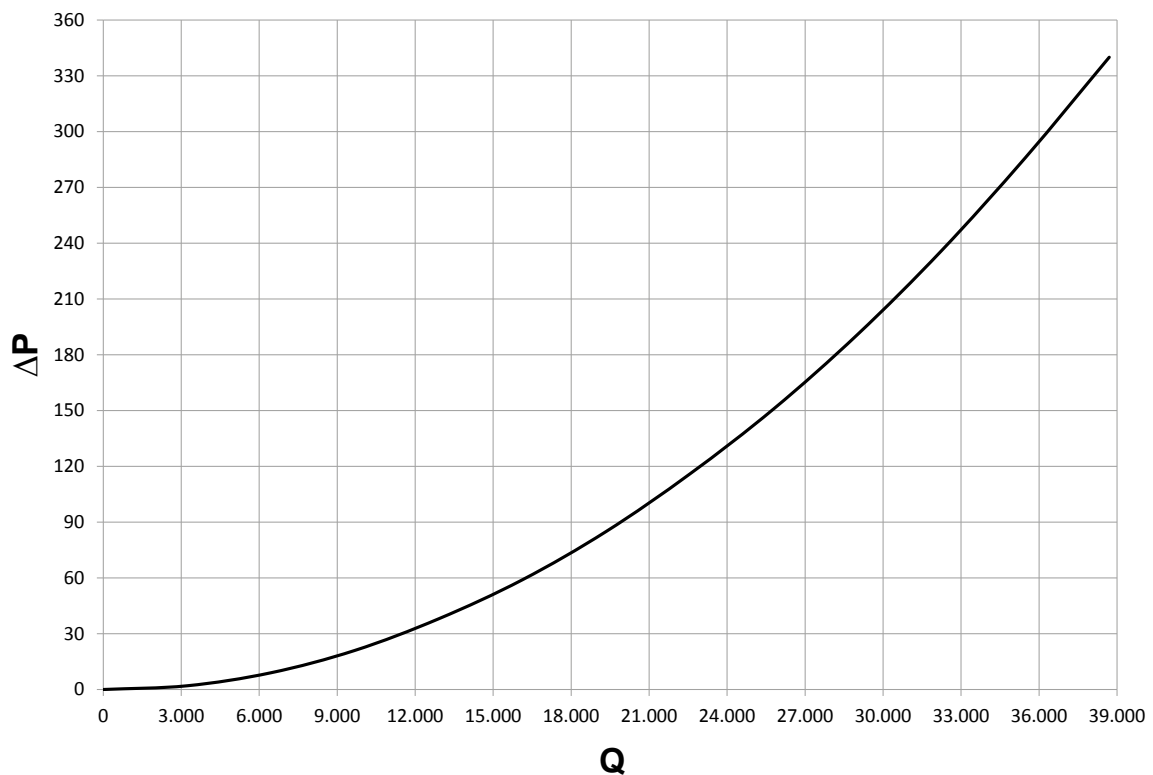


Fig. 31 900 kW plate exchanger flow resistance on primary side and secondary side

ΔP Hydraulic resistance (mbar)
 Q Flow rate (dm³/h)

1.24 Wiring diagrams

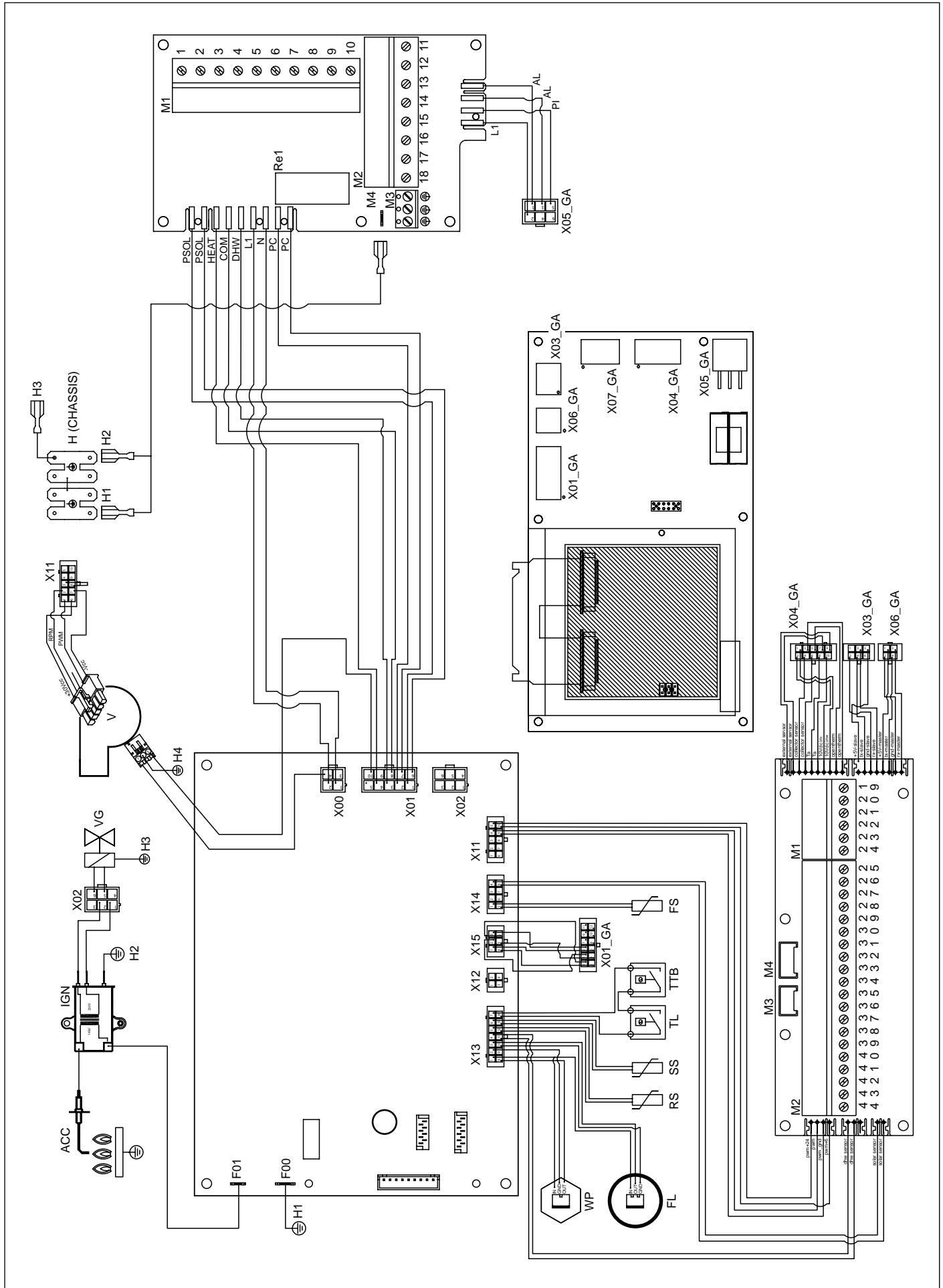


Fig. 32 Wiring diagram for models from 45 to 60

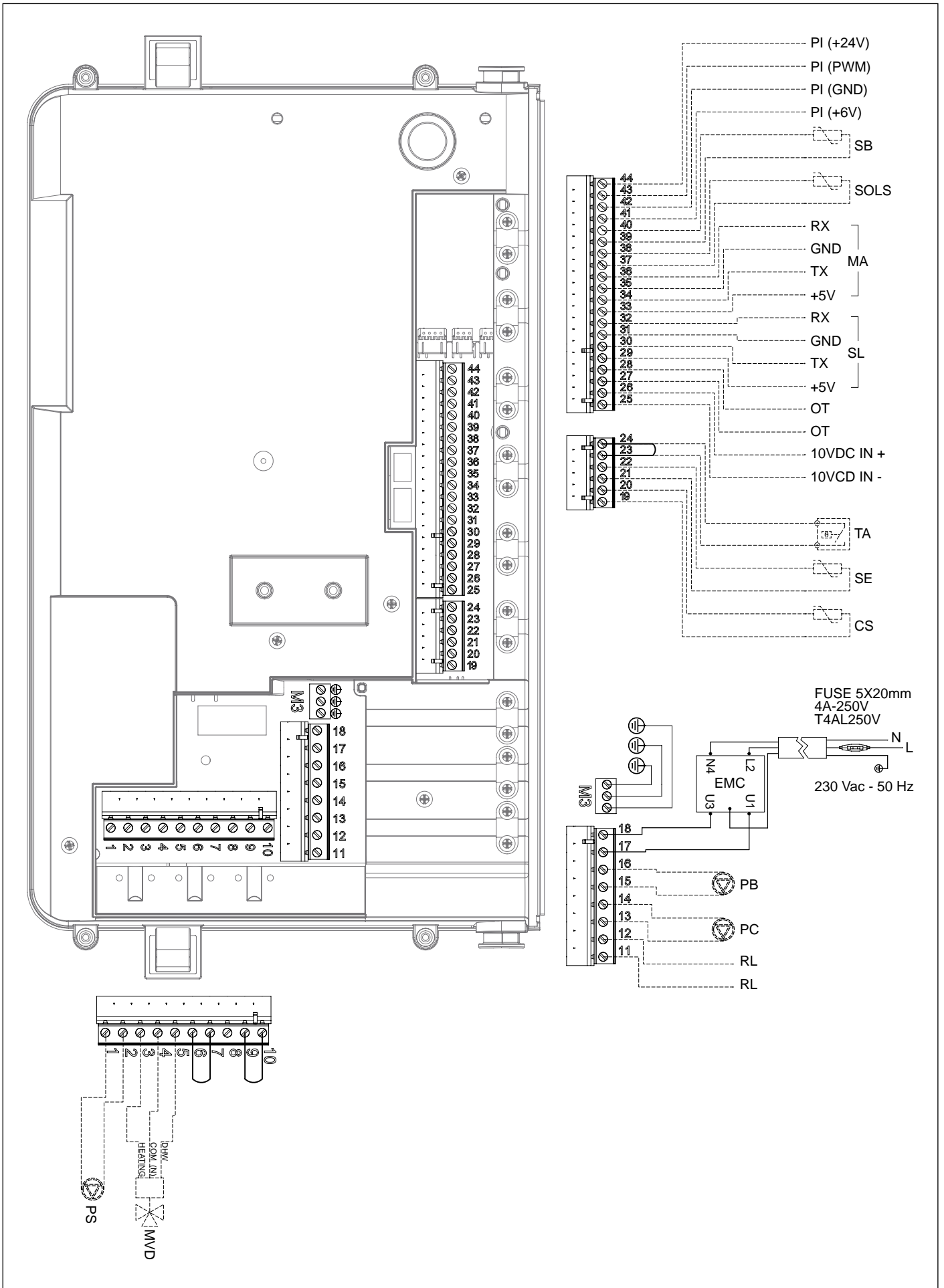


Fig. 33 Connections performed by the installer

Internal connections

ACC: Ignition/detection electrode
IGN: ignition transformer
VG: gas valve
V: Modulating fan
FS: Flue gas probe on heat exchanger
TTB: safety thermal fuse (115°C)
TL: Safety thermostat on CH flow
FL: Flow meter
WP: Heating circuit pressure sensor
SS: CH NTC flow probe 10k Ohm at 25°C B=3435
RS: CH NTC return probe 10k Ohm at 25°C B=3435
EMC: EMC filter
X00-X15: Load/signal connectors
H0-H3: ground connectors

Electrical connections to be made by the installer

1-2: PS - Solar pump (max 0.8 A@cosφ>0.6)
3-4-5: MDV - Electric 3-way valve
 3: Heating (phase)
 4: Common (neutral)
 5: DHW (phase)
6-7-8-9-10: Do not use
11-12: RL - Auxiliary relay (remote alarm or external LPG valve manager)
13-14: PC - Cascade pump (max 0.8 A@cosφ>0.6)
15-16: PB - Boiler pump (max 1.5 A@cosφ>0.6)
17-18-M3: Electric power supply 230V-50Hz (already connected)
 17: Phase
 18: Neutral
 M3: Ground
19-20: CS - Cascade probe
21-22: SE - External probe
23-24: TA – Ambient thermostat
25-26: 10 VDC input
 25: IN-
 26: IN+
27-28: OT - Remote Control
29-30-31-32: SL - Slave (connections for cascade systems)
 29: +5V
 30: TX
 31: GND
 32: RX
33-34-35-36: MA - Master (connections for cascade systems)
 33: +5V
 34: TX
 35: GND
 36: RX
37-38: SOLS - Solar collector probe
39-40: SB - Water heater probe
41-42-43-44: PI - PMW signal (for system circulation pump)
 41: +6V
 42: GND
 43: PWM
 44: +24V

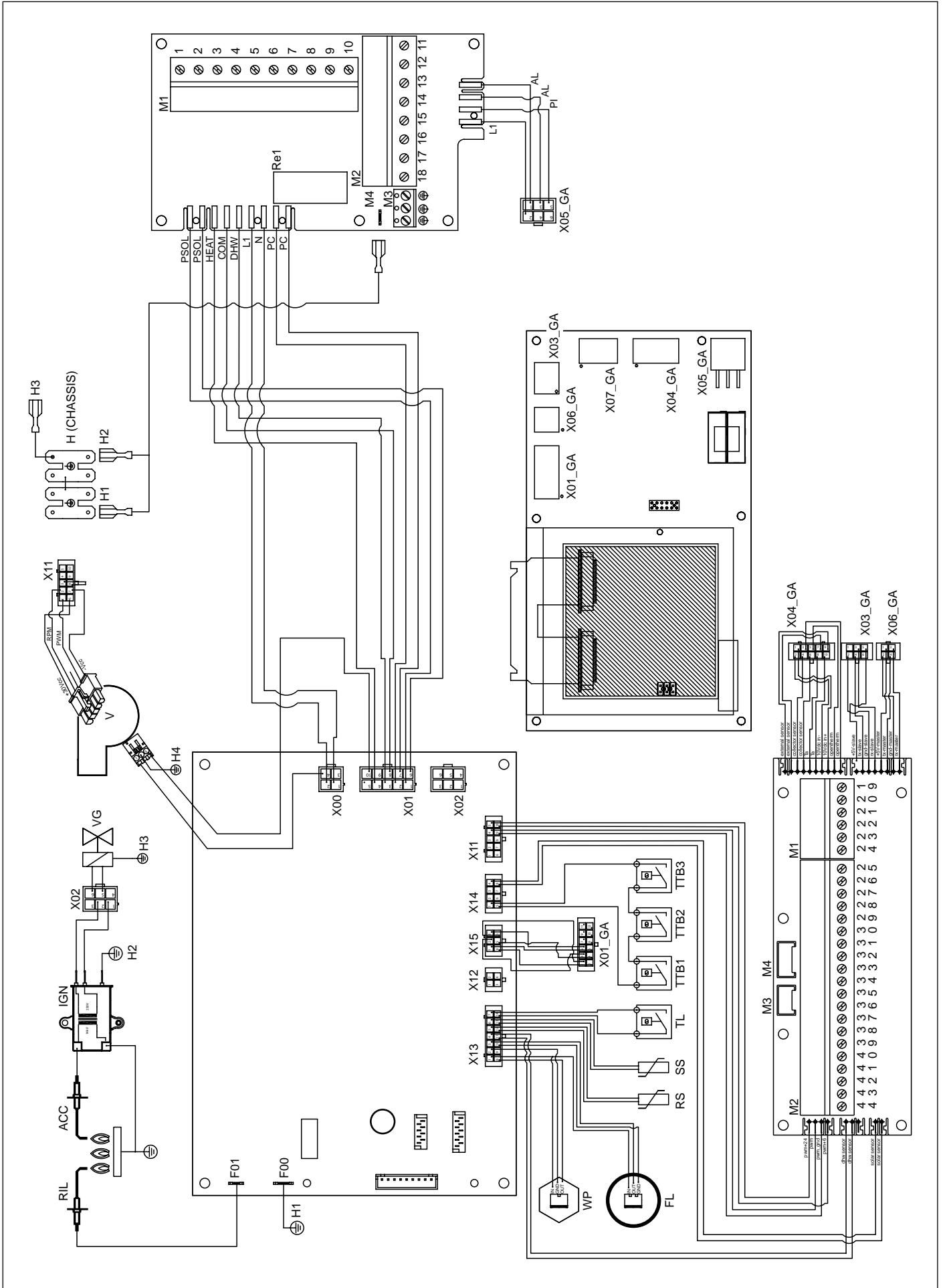


Fig. 34 Wiring diagram for models from 85 to 120

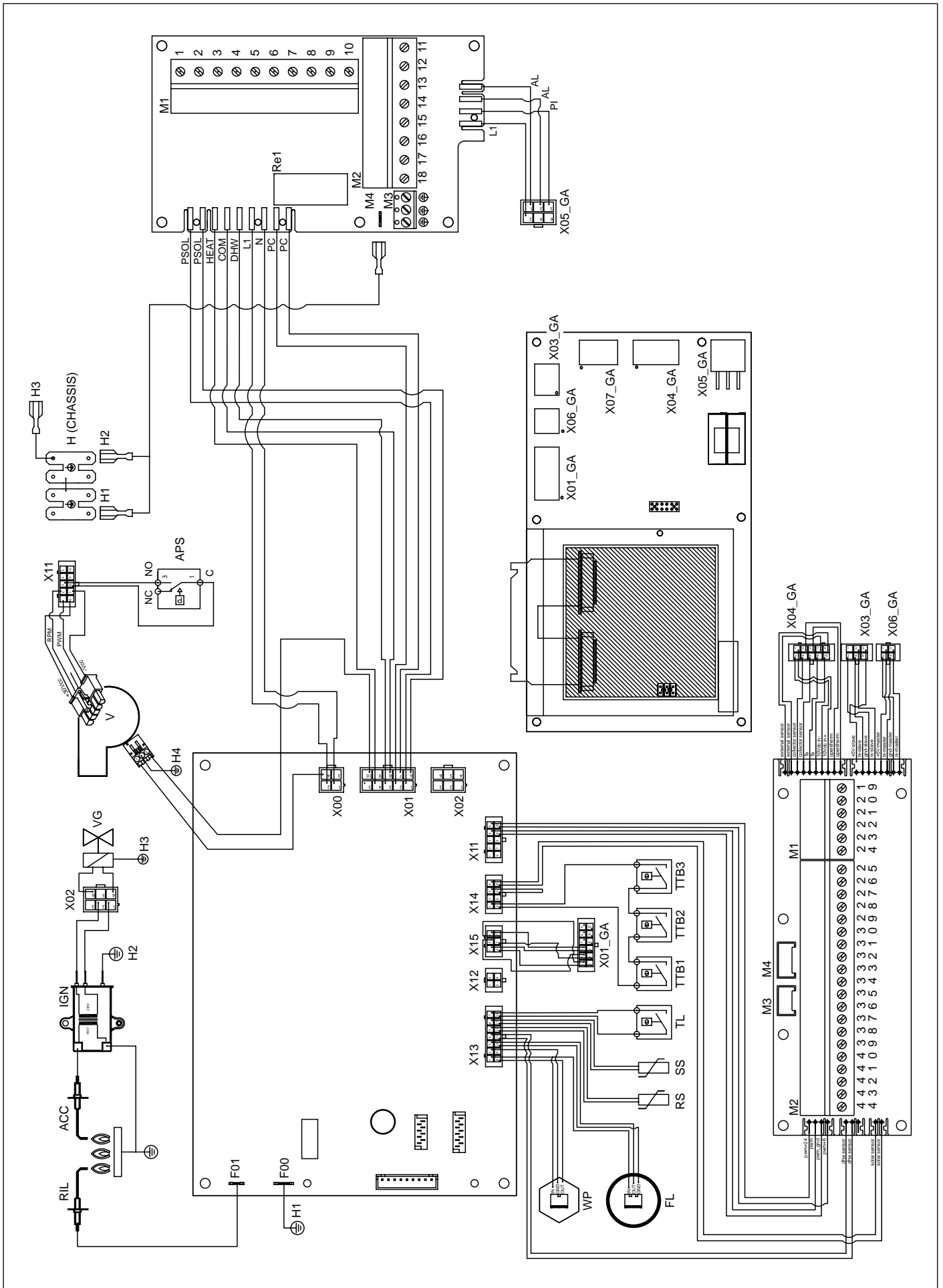


Fig. 35 Wiring diagram for models from 150

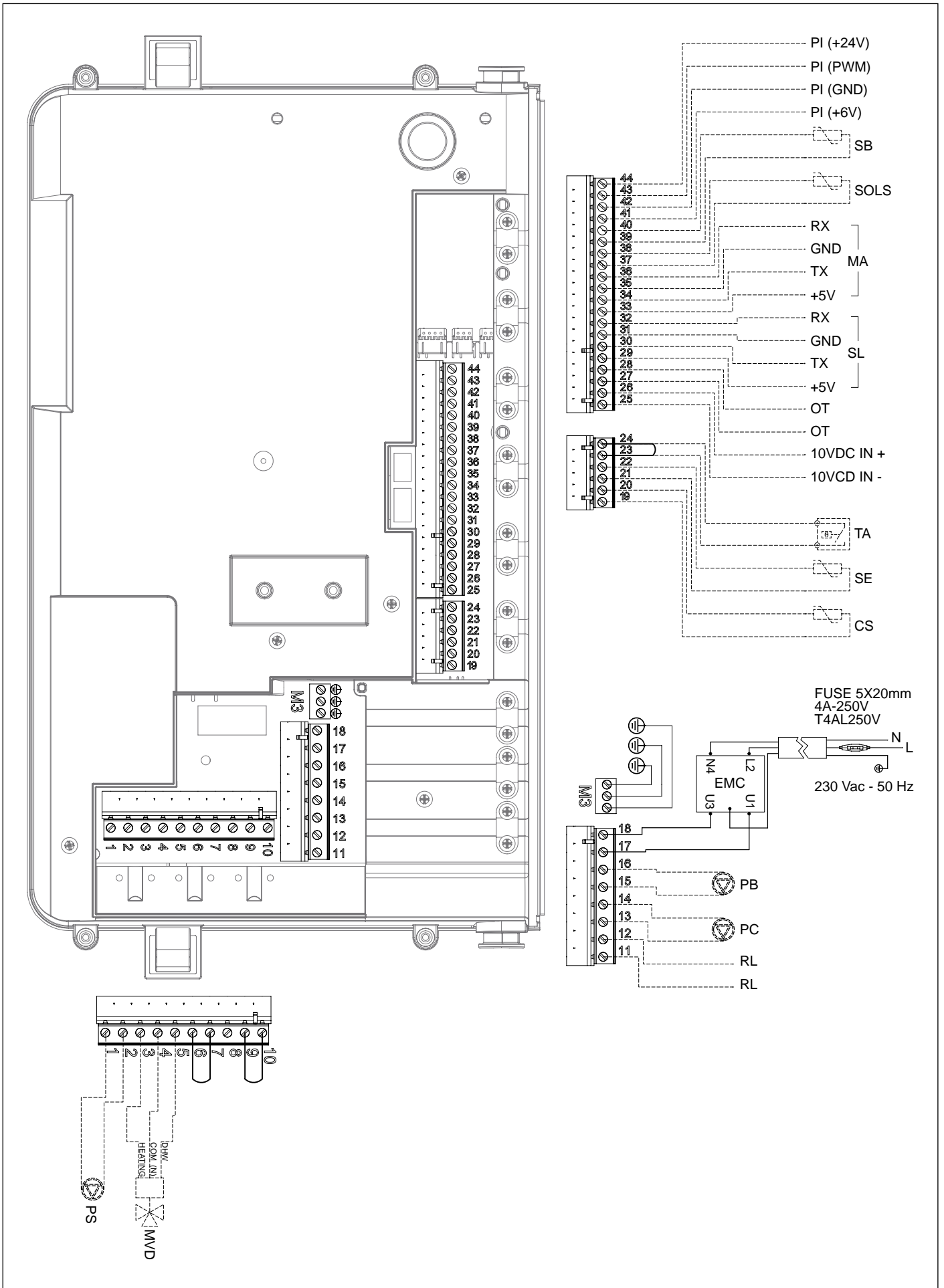


Fig. 36 Connections performed by the installer

Internal connections

- ACC:** Ignition electrode
- RIL:** Detection electrode
- IGN:** ignition transformer
- VG:** gas valve
- V:** Modulating fan
- APS:** Air pressure switch (KR 150 only)
- TTB1:** Limit thermostat (260 °C)
- TTB2:** Thermofuse
- TTB3:** Thermofuse
- TL:** Safety thermostat on CH flow
- FL:** Flow meter
- WP:** Heating circuit pressure sensor
- SS:** CH NTC flow probe 10k Ohm at 25°C B=3435
- RS:** CH NTC return probe 10k Ohm at 25°C B=3435
- EMC:** EMC filter
- X00-X15:** Load/signal connectors
- H0-H3:** ground connectors

Electrical connections to be made by the installer

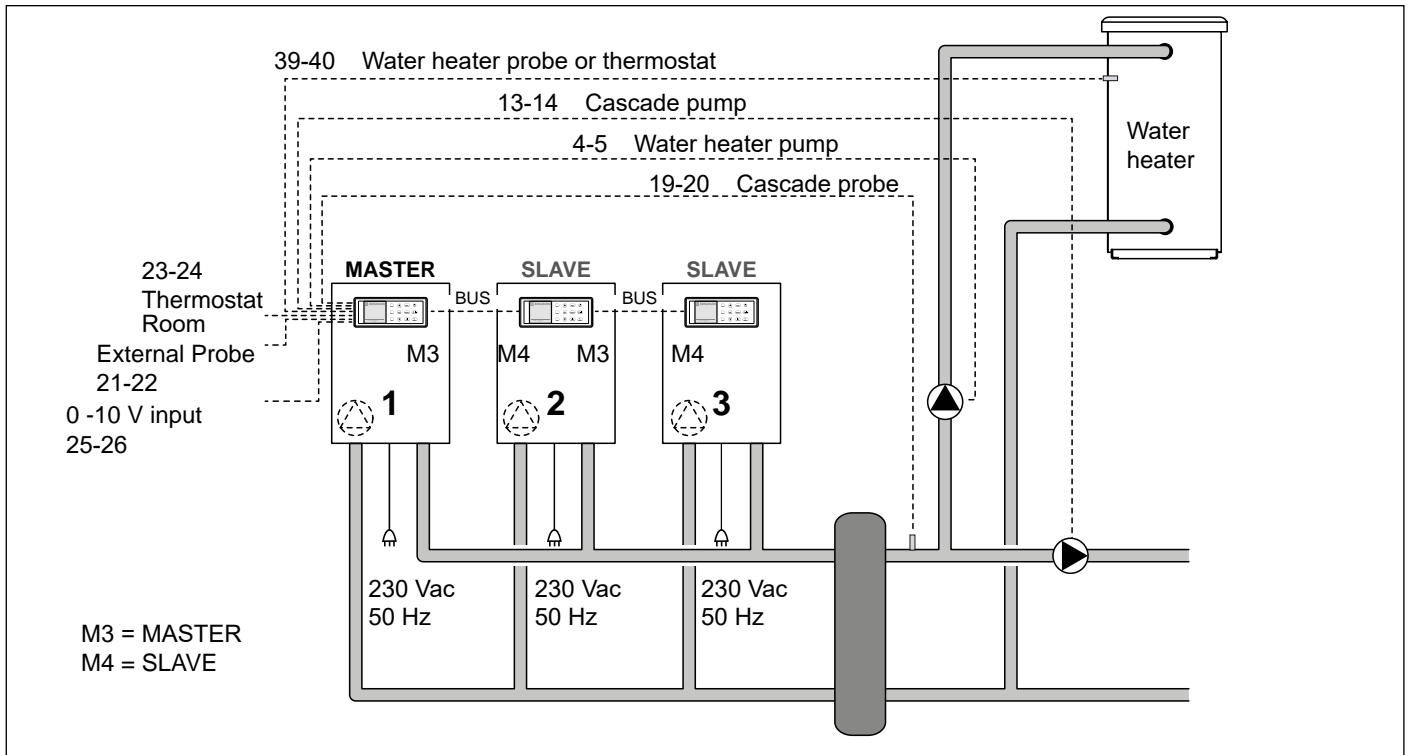
- 1-2:** PS - Solar pump (max 0.8 A@cosφ>0.6)
- 3-4-5:** MDV - Electric 3-way valve
 - 3:** Heating (phase)
 - 4:** Common (neutral)
 - 5:** DHW (phase)
- 6-7-8-9-10:** Do not use
- 11-12:** RL - Auxiliary relay (remote alarm or external LPG valve manager)
- 13-14:** PC - Cascade pump (max 0.8 A@cosφ>0.6)
- 15-16:** PB - Boiler pump (max 1.5 A@cosφ>0.6)
- 17-18-M3:** Electric power supply 230V-50Hz (already connected)
 - 17:** Phase
 - 18:** Neutral
 - M3:** Ground
- 19-20:** CS - Cascade probe
- 21-22:** SE - External probe
- 23-24:** TA – Ambient thermostat
- 25-26:** 10 VDC input
 - 25:** IN-
 - 26:** IN+
- 27-28:** OT - Remote Control
- 29-30-31-32:** SL - Slave (connections for cascade systems)
 - 29:** +5V
 - 30:** TX
 - 31:** GND
 - 32:** RX
- 33-34-35-36:** MA - Master (connections for cascade systems)
 - 33:** +5V
 - 34:** TX
 - 35:** GND
 - 36:** RX
- 37-38:** SOLS - Solar collector probe
- 39-40:** SB - Water heater probe
- 41-42-43-44:** PI - PMW signal (for system circulation pump)
 - 41:** +6V
 - 42:** GND
 - 43:** PWM
 - 44:** +24V

1.25 Cascade connections

It is possible to connect up to 6 boilers in a cascade-type connection.

The boilers connected with a cascade-type connection work with the MASTER-SLAVE logic: the first boiler (MASTER) controls the entire cascade.

The cascade operating devices (optional) must be connected to the MASTER boiler: cascade pump, cascade probe, external probe, ambient thermostat, 0-10V input, water heater pump, water heater probe.



1.25.1 Electrical connections

For electrical connection of cascade boilers, use the cables supplied with the proper cable glands that must be fastened to the boiler bottom.

For the electric cascade connection of the boilers, refer to the following diagram:

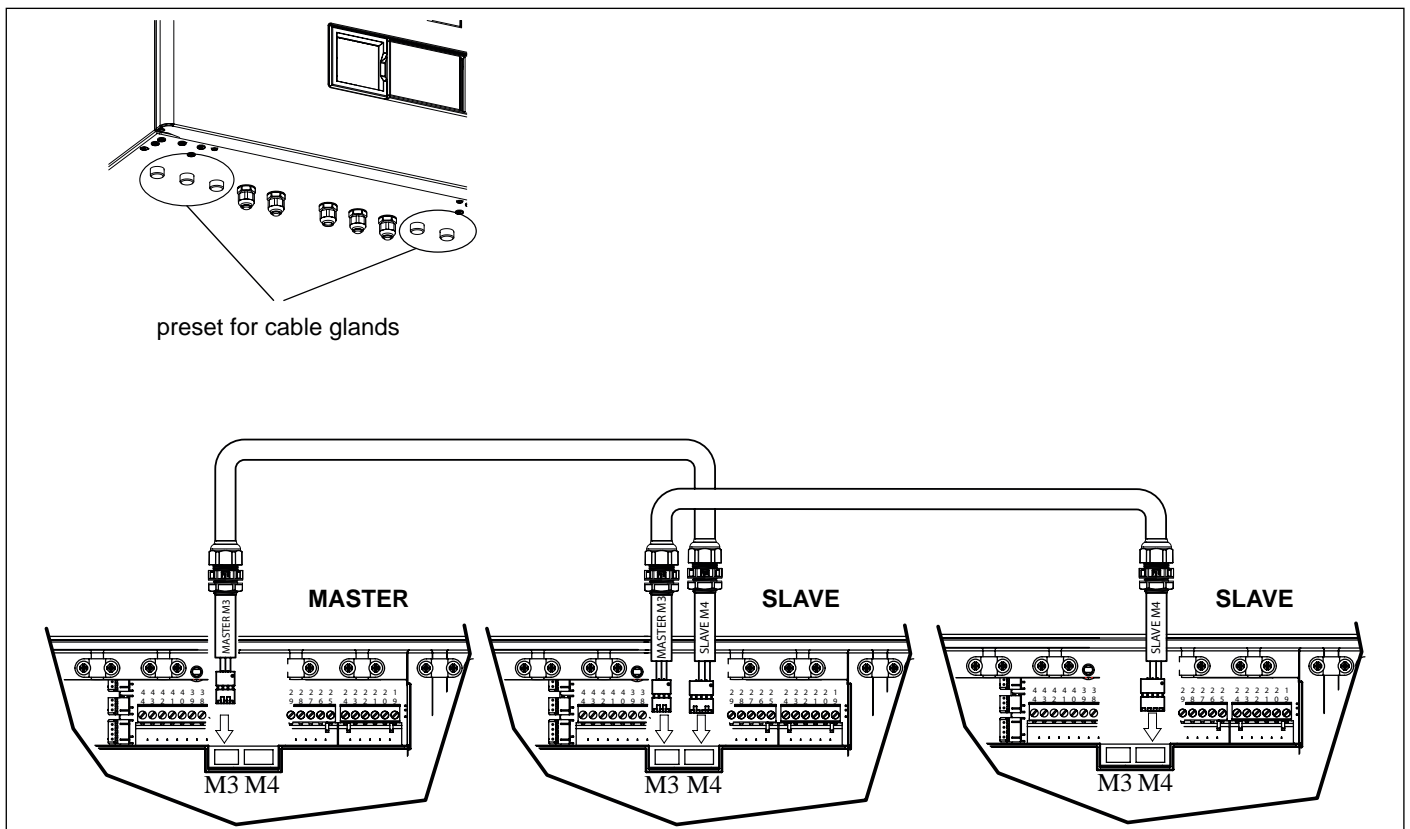
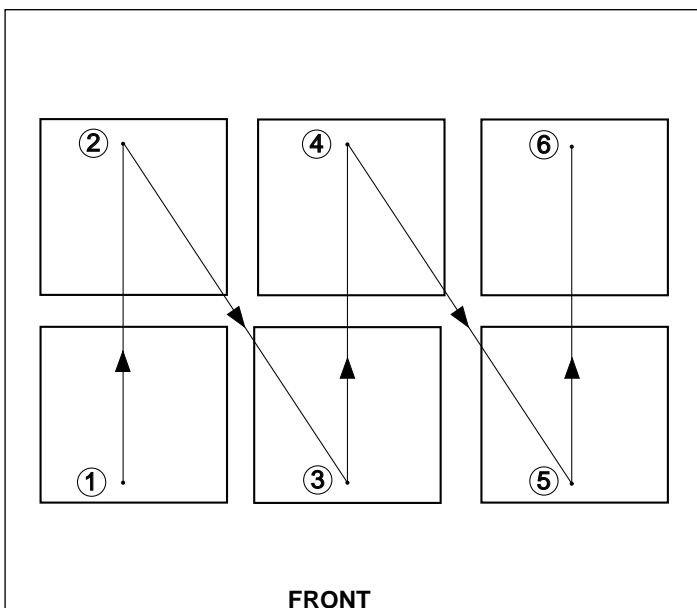
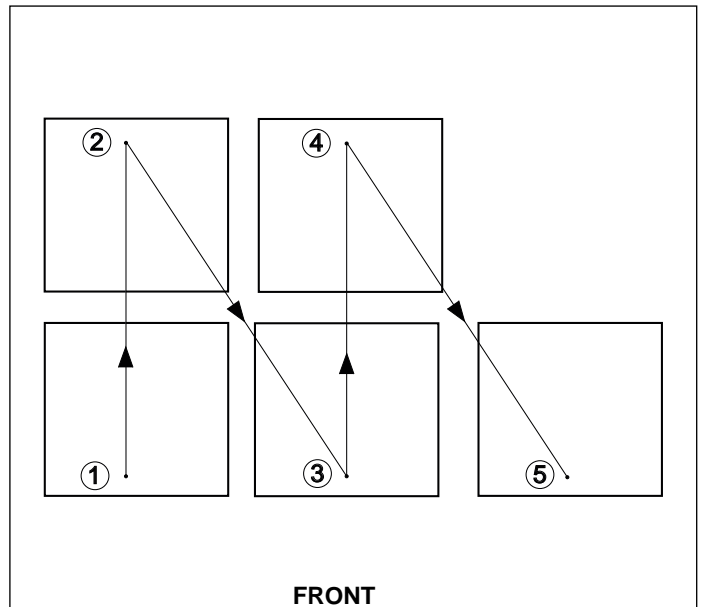
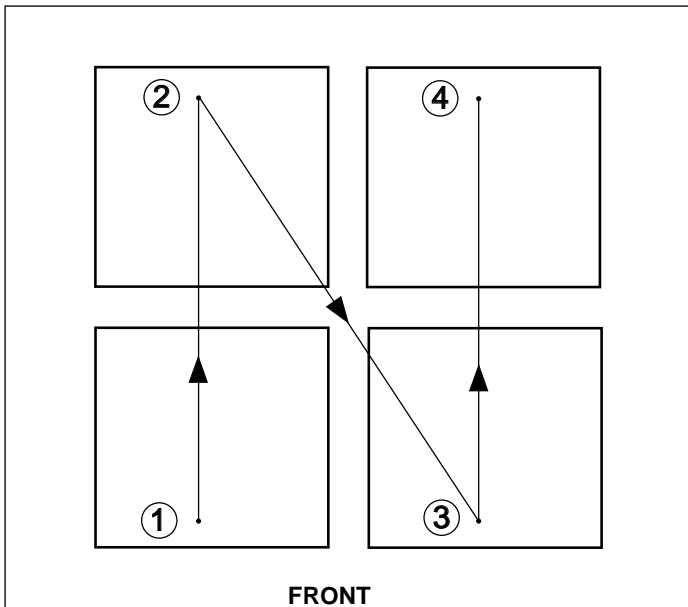
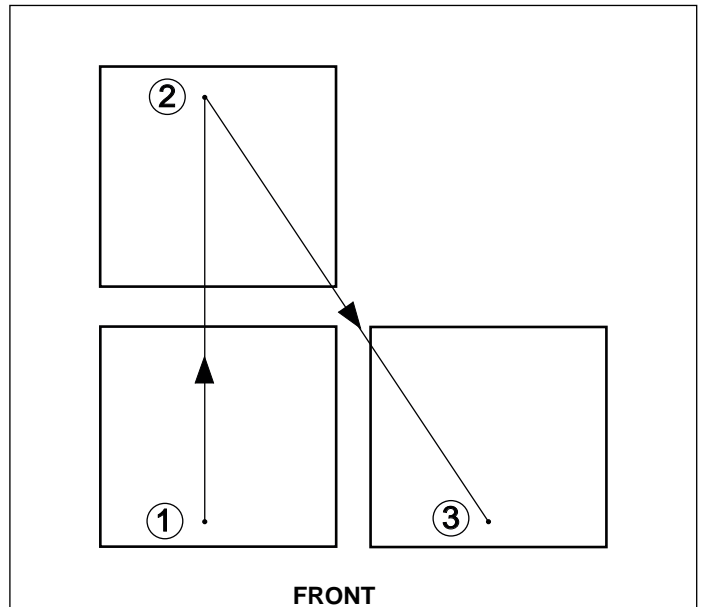
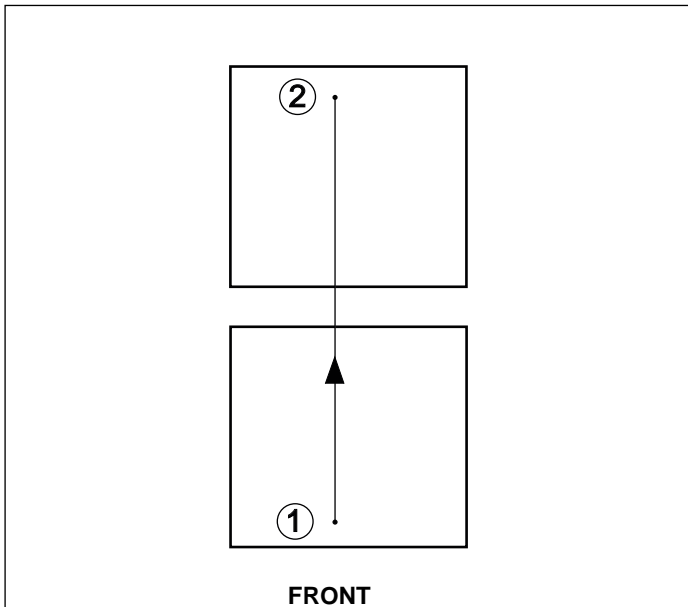






Fig. 37 Cascade connection




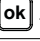
1.25.2 Cascade programming

Once the electrical connections are ready, proceed with the cascade system configuration.

- Reach the control panel of the MASTER boiler.
- Access the TECHNICIAN MENU (see TECHNICIAN MENU in the boiler manual).
- Select "6. CASCADE" and press .
- Select "1. Cascade settings" and press .

Technician menu	Sub-menu 1	Sub-menu 2	Factory value	Settable values
6. CASCADE	1. Cascade set	1. Cascade switch delay	30 sec	0 ÷ 255 sec
		2. Cascade min power	10% min	0 ÷ 100%
		3. Single burner power	According to the model	0 ÷ 2550 kW
		4. Boiler for DHW	0	0 ÷ 6
		5. PI loop time	5 sec	1 ÷ 15 sec
	2. Cascade info	Displaying the cascade system information. Where "*" symbol is present press  to display the parameter time chart.		
	3. Cascade autodetect	Press  to activate cascade system self-configuration.		

Description of TECHNICIAN MENU lines

Ref.	Description
6. CASCADE	
6.1. Cascade set	
6.1.1. Cascade switch delay	Time interval range between a boiler ignition and the following one.
6.1.2. Cascade min power	Minimum available cascade output.
6.1.3. Single burner power	Maximum heat output of an individual burner.
6.1.4. Boiler for DHW	Number of boilers in the cascade dedicated both to CH function and to DHW function.
6.1.5. PI loop period	Time range to recalculate the power required by the system.
6.2. Cascade info	Displaying the cascade system information. Where "*" symbol is present press  to display the parameter time chart.
6.3. Cascade autodetect	Press  to activate cascade system self-configuration.

It is recommended to set the parameter [6.1.2. Minimum modulation heat output] as defined in the table below.

Parameter [6.1.3. Individual burner heat output] must be equal to the greatest generator heat output value of the cascade.

Value of parameter 6.1.2 [%]	Cascade system heat configuration
10	90 (1+1); 120 (1+1); 180 (2+1); 240 (1+1); 360 (2+1); 480 (2+2)
11	145 (1+1); 170 (1+1); 205 (2+1); 255 (2+1)
16	270 (1+1); 300 (1+1); 390 (2+1); 450 (2+1); 540 (2+2); 600 (2+2); 660 (3+2); 750 (3+2); 810 (3+3); 900 (3+3)

Tab. 29 Minimum modulation head output setting



WARNING

IN CASE OF SYSTEM CASCADE-TYPE INSTALLATION WITH PLATE EXCHANGER IT IS NECESSARY TO SET THE 3.1.5 PARAMETER [BOILER PUMP MINIMUM SPEED] OF THE TECHNICAL MENU TO 30%. IT MUST BE SET ON ALL MODULES OF THE CASCADE SYSTEM.

Access the technical menu, parameter 3.1.5:

Technician menu	Sub-menu 1	Sub-menu 2	Factory value	Settable values
3. SYSTEM SETTINGS	1. Boiler parameters	5. Pump speed min	15%	15 ÷ 100%

Change the 3.1.5 parameter on each module of the cascade system according to the table:

-	CASCADE GENERATOR				
	45	60	85	120	150
PARAMETER 3.1.5	30%	30%	30%	30%	30%

1.25.3 Self-configuration

Once the parameter setting is ready, proceed with the cascade system self-configuration.

- Reach the control panel of the MASTER boiler.
- Access the TECHNICIAN MENU (see TECHNICIAN MENU in the boiler manual).
- Select "6. CASCADE" and press **ok**.
- Select "3. Autodetect cascade" and press **ok**.
- Press **ok** to activate cascade system self-configuration.



WARNING

At the end of this procedure, the MASTER boiler display will show an informative message about the number of boilers connected in cascade.

If this value does not correspond to the number of present generators, electrical connections must be checked and the auto-configuration procedure must be repeated.



WARNING

The auto-configuration procedure must be carried out upon first installation, after a change in the number of generators or in their order within the cascade sequence, or after a change in the MASTER generator parameter configuration.

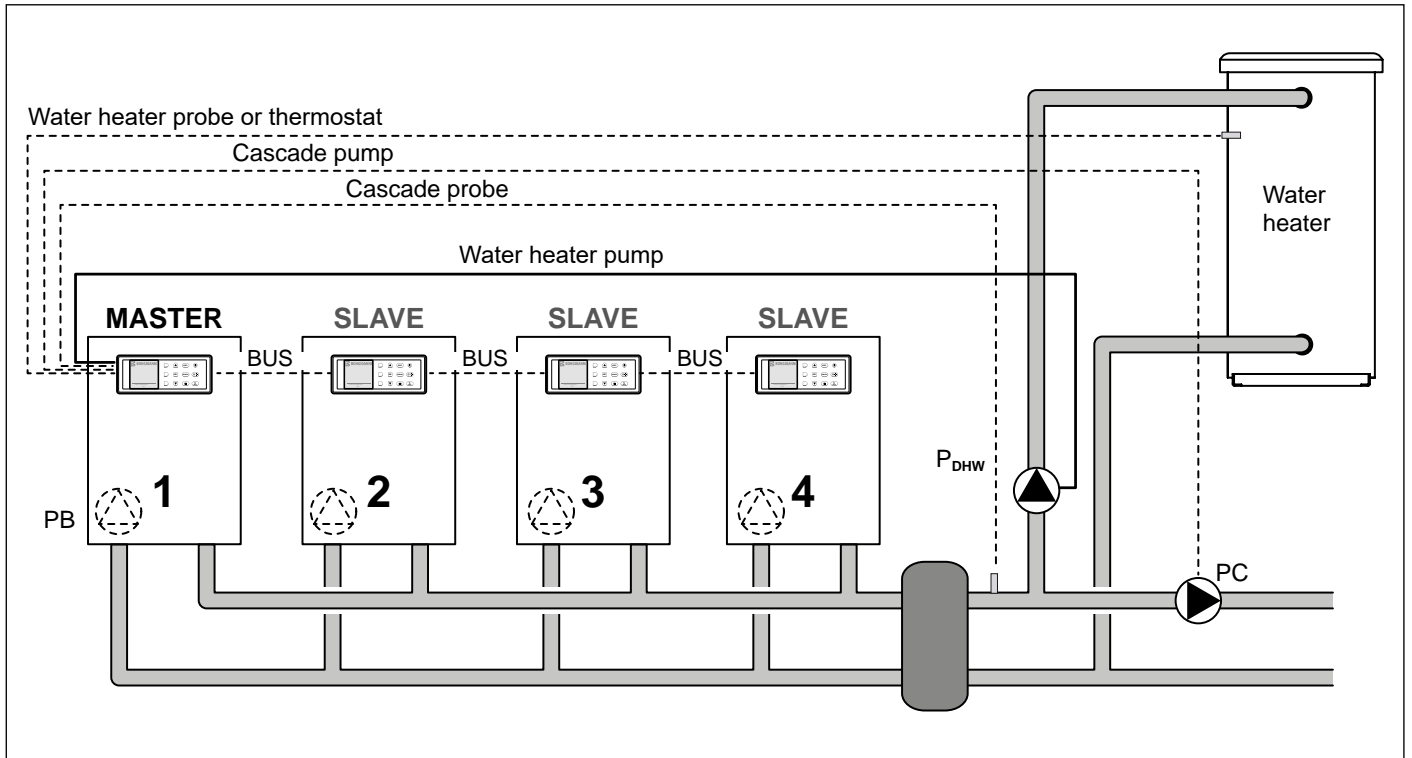
1.25.4 Examples of cascade systems

The operating logic of the cascade system is as follows: keep as many generators on as possible at the lowest possible heat output. To achieve this, ALL generators must be IDENTICAL (same Nominal Heat Output and Minimum Heat Output). In this case all generators in the cascade sequence respond to CH and DHW requests, with the suitable priority.

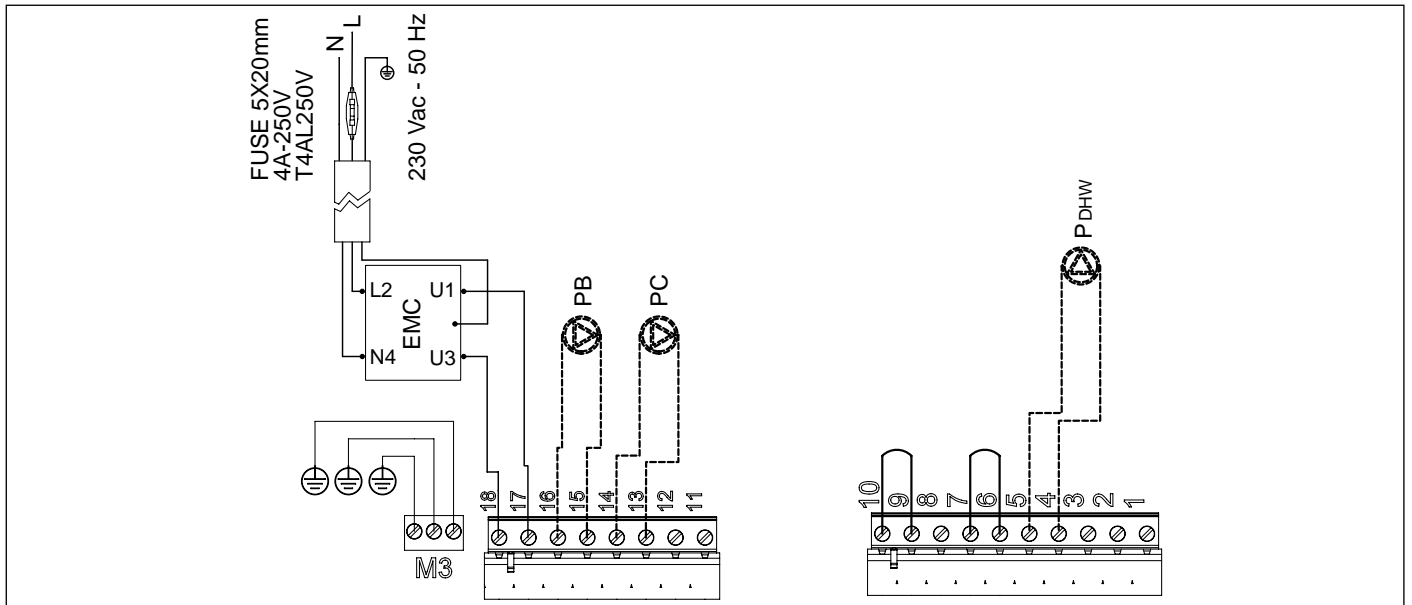
Below is an example of operation, considering a cascade sequence of 4 generators. The application of each operating logic requires that the relevant hydraulic configuration has been correctly implemented.

Example 1

4 generators having the same heat output (No 150 kW) and allocated to CH requests.



MASTER boiler electrical connections (loads):



Master boiler cascade configuration parameters:

- 6.1.2 Minimum modulation heat output: as defined in the table Tab. 29 Minimum modulation head output setting on page 98
- 6.1.3 Individual burner heat output: 150
- 6.1.4 DHW boiler: 0



WARNING

In presence of boilers having different outputs, indicate the highest generator heat output in parameter 6.1.3.

1.25.5 Faulty cascade

In case of “failure” of one of the two SLAVE generators, which causes a lack of communication among the various boilers, it is necessary to exclude the generator from the cascade and restore the sequence by connecting the generator before the faulty one to the generator subsequent to the faulty one.

If MASTER generator needs to be excluded, disconnect the connection with the second generator (which is the first SLAVE), which will become the new MASTER.

All connections for cascade management (cascade thermostat and probe, water heater thermostat/probe etc.) must be moved onto it.

Once the electrical connections have been changed, proceed with the cascade system auto-configuration (see *Self-configuration*).

1.26 Decommissioning, disassembly and disposal



Warning

If you decide to definitively decommission the boiler, have decommissioning, disassembly and disposal procedures carried out by qualified personnel, only.

The user is not authorised to carry out such operations.

Decommissioning, disassembly and disposal operations must be performed with boiler cold and disconnected from gas and power mains.

The materials the boiler is made of can all be recycled.

Once disassembled, boiler must be disposed of in accordance with the national prevailing regulations.

Page left intentionally blank



Fondital S.p.A. - Società a unico socio
25079 VOBARNO (Brescia) Italy - Via Cerreto, 40
Tel. +39 0365 878 31
Fax +39 0365 878 304
e-mail: info@fondital.it
www.fondital.com

The manufacturer reserves the right to modify his/her products as deemed necessary, without altering the basic characteristics of the products themselves.

Uff. Pubblicità Fondital IST 03 C 1437 - 02 | Gennaio 2021 (01/2021)